



WSP  
300-2611 Queensview Drive  
Ottawa, Ontario K2B 6B7  
Canada  
T (613) 829-2800  
**wsp.com**

2026-03-13  
Reference: CA0063931.8278

Building Code Services  
City of Ottawa  
101 CentrepoinTE Drive  
Ottawa, ON  
K2G 5K7

## Elmwood School Addition (261 Buena Vista Road)

To whom it may concern:

The above referenced project will involve an addition to the existing Elmwood School building, as indicated in the accompanying Architectural site plan drawing. This building addition will be on the west and north sides of the building, which is in the south-east corner of the property bounded by Springfield Road to east and Buena Vista Road to the south, as indicated in the accompanying Architectural elevations drawing. Wall mounted light fixtures will be provided on the west and north sides of the building addition. These light fixtures will be selected to have zero uplight, similar to the attached spec sheet of the wallpack light fixture.

In addition, this project will result in some modifications to the parking lot area. These modifications will not involve the existing pole mounted light fixtures in the parking lot. These existing light fixtures are downlight fixtures, similar to the attached Dome Top light fixture, that have zero uplight. All the existing pole mounted light fixtures are located a sufficient distance away from the property lines to ensure any light spillage onto adjacent properties is less than the maximum allowable amount of 0.5 foot-candles. The locations of these pole mounted light fixtures are indicated by "LS" on the accompanying Architectural site plan drawing.

Should you have any questions or require further clarification on this matter, please contact the undersigned.

Sincerely,

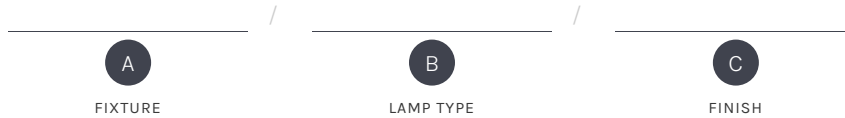
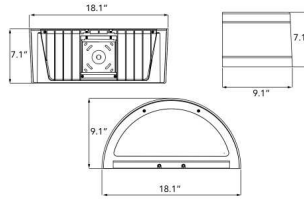


Shawn Schwendemann, P.Eng.  
Senior Electrical Project Engineer

CC: Christopher Blackwell, Farrow Partners Inc.

Attachments: AWLH Wallpack light fixture spec sheet  
Rondella Dome Top pole mounted light fixture spec sheet

# AWLH - Wallpack Light



**Application:** Wallpack Light for commercial outdoor

**Material:** Heavy duty die-cast aluminum housing.

**Lamp Type:** Integral LED, 120-277V, 10,000LM Max, Field Adjustable Wattage & Kelvin, 70CRI  
 LED80W: 30W(3750lm)/60W(7500lm)/80W(10000lm), 30K/40K/50K

**Dimensions:** L: 18.1 inch, H:7.1 inch, W: 9.1 inch

**Mounting:** Wall-mount

**Finish:** Bronze Powder Coat

**Listing:** cULus for wet locations

| A Fixture              |                       | B Lamp Type |                        | Code | Name   |
|------------------------|-----------------------|-------------|------------------------|------|--------|
| AWLH - Wallpack Light: |                       |             |                        | BZ   | Bronze |
| Code                   | Name                  | Code        | Name                   |      |        |
| AWLH-LED80W-BZ         | AWLH - Wallpack Light | LED80W      | 30/60/80W, 30K/40K/50K |      |        |
| C Finish               |                       |             |                        |      |        |

# RONDELLA

## ROND 2 - Dome Top



**PROJECT** \_\_\_\_\_ **DATE** \_\_\_\_\_

**COMMENTS**

\_\_\_\_\_

### STANDARD FEATURES

- Two Piece Heavy Gauge Spun Aluminum Domed Housing
- High Performance Optical System



| SERIES | MODEL | SIZE             | LAMP | LUMENS         | CCT CRI 80   | VOLT         | CONTROL                   | COLOR  | BEAM ANGLE   | MOUNTING  | OPTIONS  |
|--------|-------|------------------|------|----------------|--|--------------|---------------------------|--|--|---|--|
| ROND2  | 1690  | L = 20" Diameter | LED  | 10000 to 65000 | K27 = 2700K<br>K3 = 3000K<br>K35 = 3500K<br>K4 = 4000K<br>K5 = 5000K | 120-277V UNV | DD = 0-10V DIMMING DRIVER | TAL = Textured Aluminum<br>TBK = Textured Black<br>TBZ = Textured Bronze<br>TWH = Textured White<br>CC = Custom Color<br>RAL = RAL Color | 60 = 60° Angle<br>90 = 90° Angle<br>120 = 120° Angle | WM = Wall Mount<br>PAM = Pole Arm Mount<br>PAM2/180 = 2 Arms at 180°<br>PAM2/90 = 2 Arms at 90°<br>PAM3/120 = 3 Arms at 120°<br>PAM4/90 = 4 Arms at 90° | MS = Motion Sensor<br>PE1 = Photocell 120V<br>PE2 = Photocell 277V |


### ORDERING INFORMATION

| SERIES | MODEL | SIZE | LAMP | LUMENS | CCT CRI 80 | VOLT | CONTROL | COLOR | BEAM ANGLE | MOUNTING | OPTIONS |
|--------|-------|------|------|--------|------------|------|---------|-------|------------|----------|---------|
|        |       |      |      |        |            |      |         |       |            |          |         |

**ORDERING EXAMPLE:** ROND2 - 1690 - L - LED - 22500 - K4 - 120/277 - DD - TWH - 90 - PAM - PE1

Consult factory for voltage and other lamp options. Product specifications subject to change without notice.

- |   |   |
|---|---|
| 1. Programmable drivers at the PACE factory | 4. Can be equipped with motion sensors for on/off functioning                     |
| 2. Color tunable                            | 5. Can be equipped with light sensors for dusk-to-dawn automatic on/off operation |
| 3. Capable of remote dimming                | 6. Bluetooth commissioning sensor capability for Android and iOS                  |

 **PACE Illumination** 5500 West 111<sup>th</sup> Street | Oak Lawn, Illinois 60453 | 708-499-1700 | quotes@paceillumination.com

Although PACE has prepared the information contained in this document with all due care, PACE does not warrant or represent that the information is free from errors or omission. Whilst the information is considered to be true and correct at the date of publication, changes in circumstances after the time of publication may impact on the accuracy of the information. The information may change without notice and PACE is not in any way liable for the accuracy of any information printed and stored or in any way interpreted or used.

In the interest of product improvement, Pace reserves the right to make technical and product specification changes without notice. Consult factory for voltage and other lamp options.

**REV DATE:**  
11-03-2025

# RONDELLA

## ROND 2 - Dome Top



### SIZES

- Small = 17" diameter
- Medium = 22" diameter

### MOUNTING

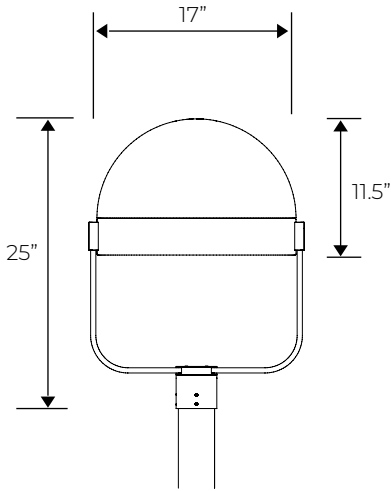
- Yoke mount, Wall mount
- See technical data sheets for details

### COLOR

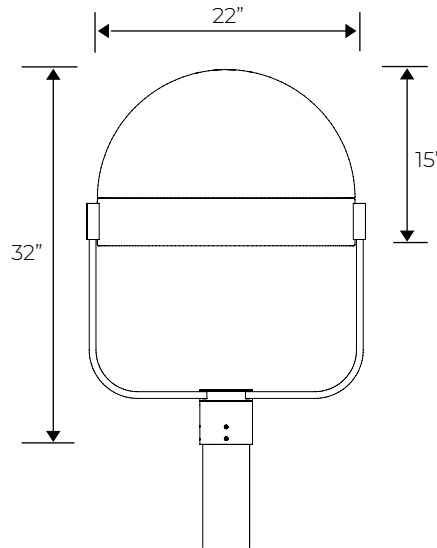
- Textured or smooth polyester powder coat finishes
- RAL colors available

### DIMENSIONS

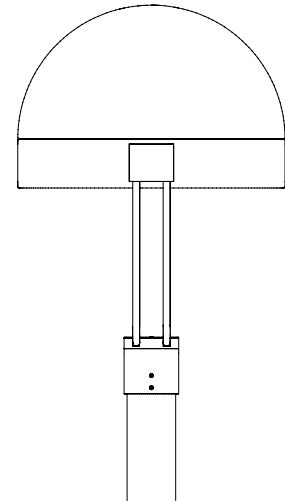
Small / EPA = 0.8



Medium / EPA = 11

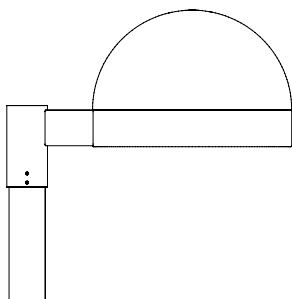


Yoke Mount Side View



### MOUNTING CONFIGURATIONS

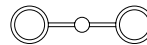
Side View PAM



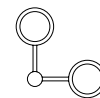
Standard Yoke Mount



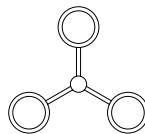
**PAM**  
Pole Arm Mount



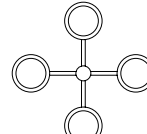
**PAM2/180**  
2 Arms at 180°



**PAM2/90**  
2 Arms at 90°



**PAM3/120**  
3 Arms at 120°



**PAM4/90**  
4 Arms at 90°

