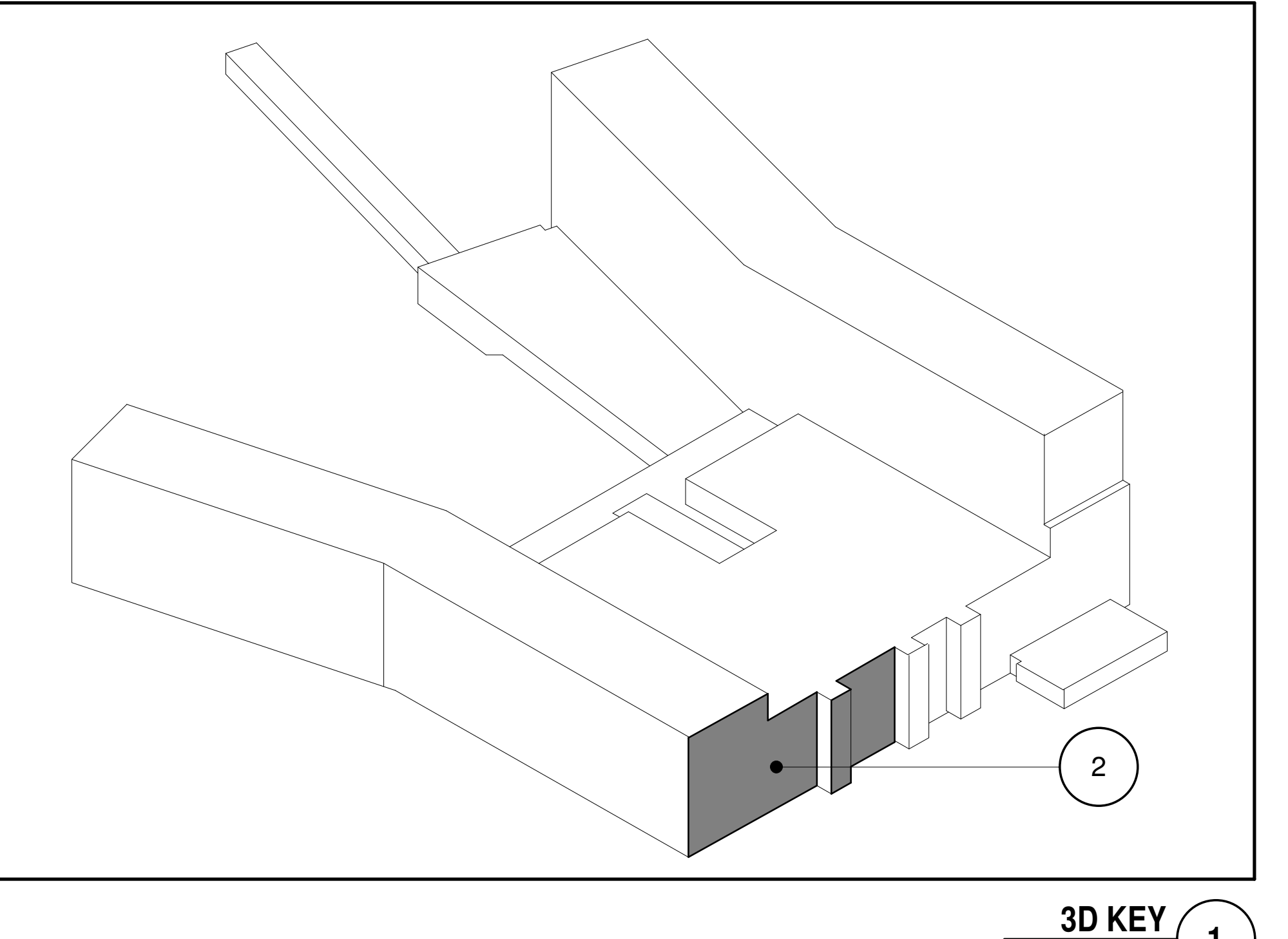


10/16/2025 10:58:18 AM CUSTOMER SHEET SIZE
 PLOT DATE: 2025/09/19 10:58:18 AM



GENERAL NOTES
 FOR CLADDING GENERAL NOTES, REFER TO AS-110

ELEVATION - SOUTH TRUE ELEVATION TOWER A AND PODIUM
 AS-195: 1-100

File Number:
 D07-12-26-0008 (Revision)
 D07-12-23-0168 (Original)
 Plan Number: 19424

PROJECT
 THE OTTAWA HOSPITAL
 NEW CAMPUS
 DEVELOPMENT -
 PHASE 4 MAIN HOSPITAL
 BUILDING
 900 CARLING AVE. OTTAWA, ONTARIO

CLIENT
 The Ottawa Hospital | L'Hôpital d'Ottawa

Infrastructure Ontario

PCL CONSTRUCTION | **EllisDon**

CLIENT PROJECT NO.
 1070002

KEY PLAN
 TRUE NORTH PROJECT NORTH

03 SITE PLAN CONTROL REGISTRATION RZ 2020-03-03
02 DESIGN BUILD BASELINE SUBMISSION 2020-03-03
01 95% DD SUBMISSION 2020-09-10
 NO2 RESUB DATE

REVISIONS

DRAWING STATUS
NOT FOR CONSTRUCTION

DISCREPANCIES MUST BE REPORTED IMMEDIATELY TO THE ARCHITECT BEFORE PROCEEDING. ONLY POLYED DIMENSIONS ARE TO BE USED. CONTRACTORS MUST CHECK ALL DIMENSIONS ON SITE. THIS DRAWING IS PROTECTED BY COPYRIGHT.
 ALL DIMENSIONS ARE SHOWN IN METRIC.

AUTHOR

adamson ASSOCIATES ARCHITECTS
 A Partnership of Corporations

PROJECT TEAM
DESIGN-BUILDER POLIED A JOINT VENTURE
ARCHITECTURAL PARION ARCHITECTS LIMITED
 JOSHUA MARINE PRATTE ARCHITECTS
 ADAMSON ASSOCIATES ARCHITECTS
 880 ARCHITECTS OTTAWA INC.
STRUCTURAL SIKAS OPEN CANADA INC.
 SIKAS OPEN CANADA INC.
 BOUTHELLETTE PARBEAU INC.
MECHANICAL HX ANGUS & ASSOCIATES LTD.
 SIKAS OPEN CANADA INC.
ELECTRICAL MELVEY & BIRNAN INTERNATIONAL INC.
 HSP CANADA INC.
CIVIL HSP CANADA INC.
LANDSCAPE VERTICOS DESIGN INC.
 PWP LANDSCAPE ARCHITECTURE

BUILDING CODE UMO BUILDING CODE CONSULTANTS LTD.

AUTHOR PROJECT NO.
 2233-00

STAMP STAMP

DRAWING TITLE
 PARTIAL TRUE
 ELEVATIONS SOUTH

DRAWN AAA-PT **CHECKED** JM
 SCALE AT 42° x 65° DATE 19 SEP 2025
 AS NOTED

GRAPHIC SCALE SCALE IN METERS

DRAWING NO. **REV. NO.**
A5-131 **03**