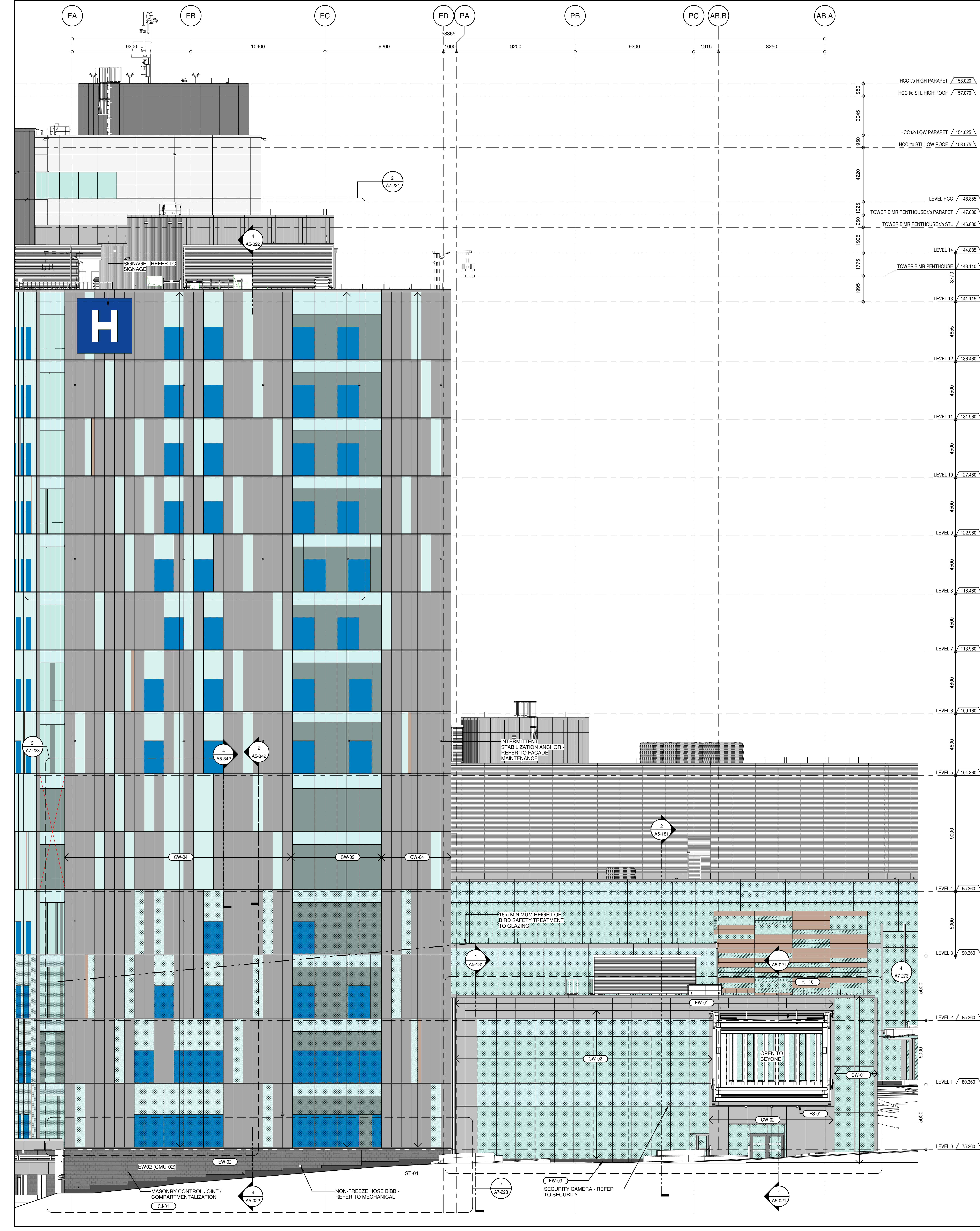


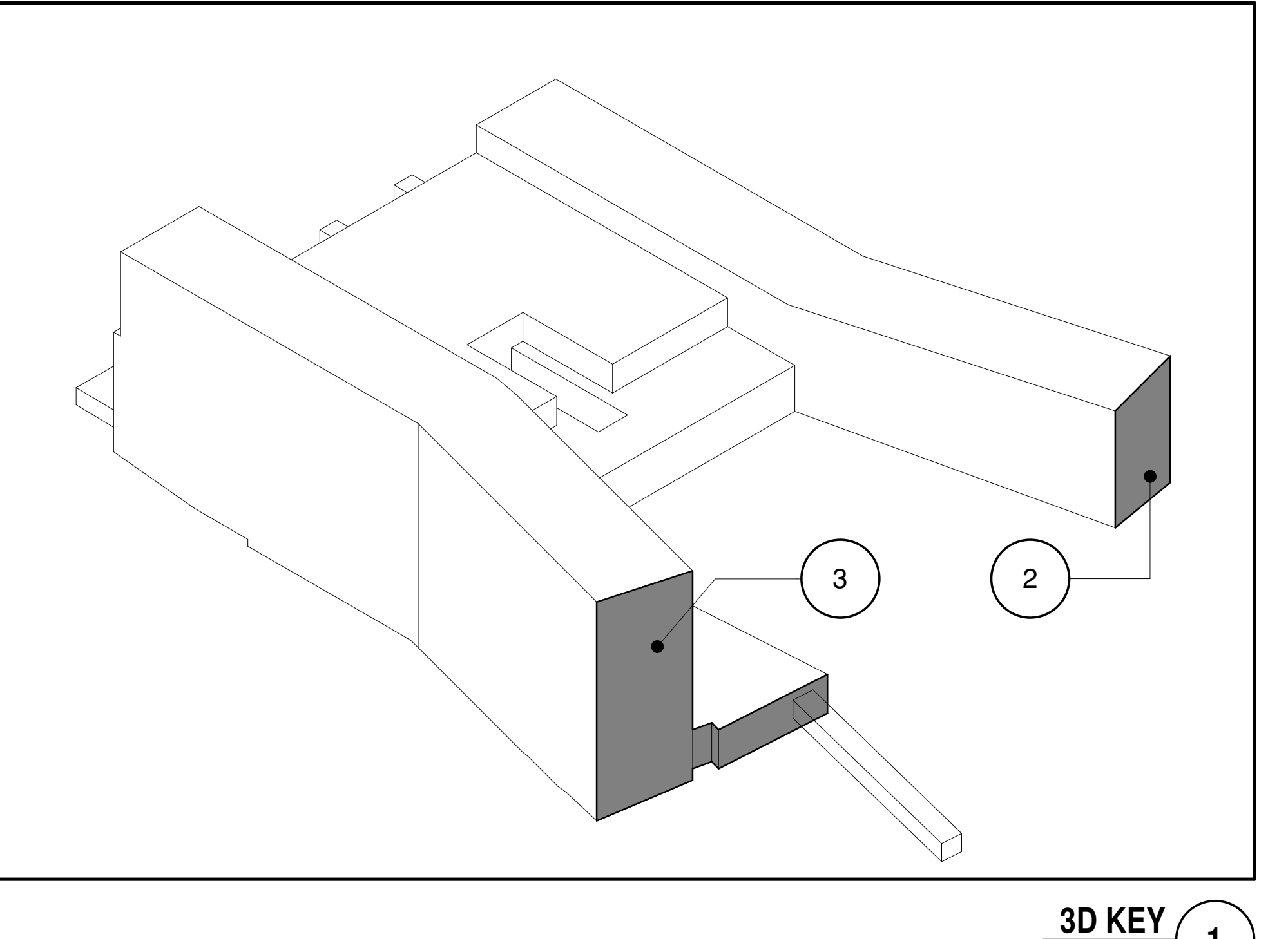
10/16/2025 10:58 AM CUSTOMER SHEET SIZE  
 PLOT DATE: 2025/09/16 10:58 AM



**ELEVATION - NORTH TRUE ELEVATION TOWER B**  
 A2-100.6  
 1:100



**ELEVATION - NORTH TRUE ELEVATION TOWER A**  
 A2-100.5  
 1:100



**3D KEY**

**ELEVATION PATTERN DESCRIPTION**

GLAZING TO RECEIVE BIRD-SAFE TREATMENT	GLAZING WITH DIGITAL PATTERN	GLAZING WITH DIGITAL PATTERN	GLAZING WITH DIGITAL PATTERN

**PANEL TYPES**

VISION PANEL	VISION PANEL WITH DIGITAL PRINT PATTERN	ECG PANEL	SPANDREL PANEL
VG-01 VG-02	VG-04 VG-05 VG-03 GL-03	VG-06	SG-01 SG-02 SG-06
SPANDREL PANEL DARK	SPANDREL PANEL WITH PARTIAL DIGITAL PRINT PATTERN	PORCELAIN PANEL	METAL PANEL
SG-07	SG-08	PP-01	MP-01, MP-02, MP-03 MP-04, MP-20
PT-01 PT-02 PT-03 PT-04			
SCREEN WALL PANEL	SCREEN WALL MESH	MENTAL HEALTH TERRACE	SPANDREL PROJECTIONS
GL-01 GL-02 GL-04	MP-05	VG-08/ SG-09	SG-05

**PROJECT**  
 THE OTTAWA HOSPITAL  
 NEW CAMPUS  
 DEVELOPMENT -  
 PHASE 4 MAIN HOSPITAL  
 BUILDING  
 900 CARLING AVE. OTTAWA, ONTARIO

**CLIENT**  
 The Ottawa Hospital | L'Hôpital d'Ottawa

**CONSTRUCTION**  
 PCL | EllisDon

**CLIENT PROJECT NO.**  
 1070002

**KEY PLAN**  
 TRUE NORTH | PROJECT NORTH

**REVISIONS**

03	SITE PLAN CONTROL REGISTRATION RZ	2025-03-07
02	DESIGN BUILD BASELINE SUBMISSION	2025-03-05
01	95% DD SUBMISSION	2025-09-19
		ISSUED

**NOT FOR CONSTRUCTION**  
 DISCREPANCIES MUST BE REPORTED IMMEDIATELY TO THE ARCHITECT BEFORE PROCEEDING. ONLY DIMENSIONS SHOWN ON THIS DRAWING IS PROTECTED BY COPYRIGHT.  
 ALL DIMENSIONS ARE SHOWN IN METRIC.

**AUTHOR**  
 adamson ASSOCIATES ARCHITECTS  
 A Partnership of Corporations

**PROJECT TEAM**  
**DESIGN-BUILDER** POLVED A JOINT VENTURE  
**ARCHITECTURAL** PARSON ARCHITECTS LIMITED  
 ZOOCH/LEAMING FRATTE ARCHITECTS  
 ADAMSON ASSOCIATES ARCHITECTS  
 BBO ARCHITECTS OTTAWA INC.  
**STRUCTURAL** SIALS/OPEN CANADA INC.  
 BOUTHILLETTE PARÉ/BAU INC.  
**MECHANICAL** HH ANGUS & ASSOCIATES LTD.  
 SIALS/OPEN CANADA INC.  
**ELECTRICAL** MELVEY & SWAN INTERNATIONAL INC.  
 HSP/SHAWA INC.  
**CIVIL**  
**LANDSCAPE** VERDECO DESIGN INC.  
 PWP LANDSCAPE ARCHITECTURE

**BUILDING CODE** UMOG BUILDING CODE CONSULTANTS LTD.  
**AUTHOR PROJECT NO.** 2233-00

**DRAWING TITLE**  
 PARTIAL TRUE ELEVATIONS NORTH

**DRAWN** AAA-PT | **CHECKED** JM  
**SCALE** AT 45° x 65° | **DATE** 19 SEP 2025  
**GRAPHIC SCALE** 0 1 2 3 4 5 6 7 8 9 10 METERS

**File Number:**  
 D07-12-26-0008 (Revision)  
 D07-12-23-0108 (Original)  
 Plan Number: 19424

**DRAWING NO.** A5-110 | **REV. NO.** 03