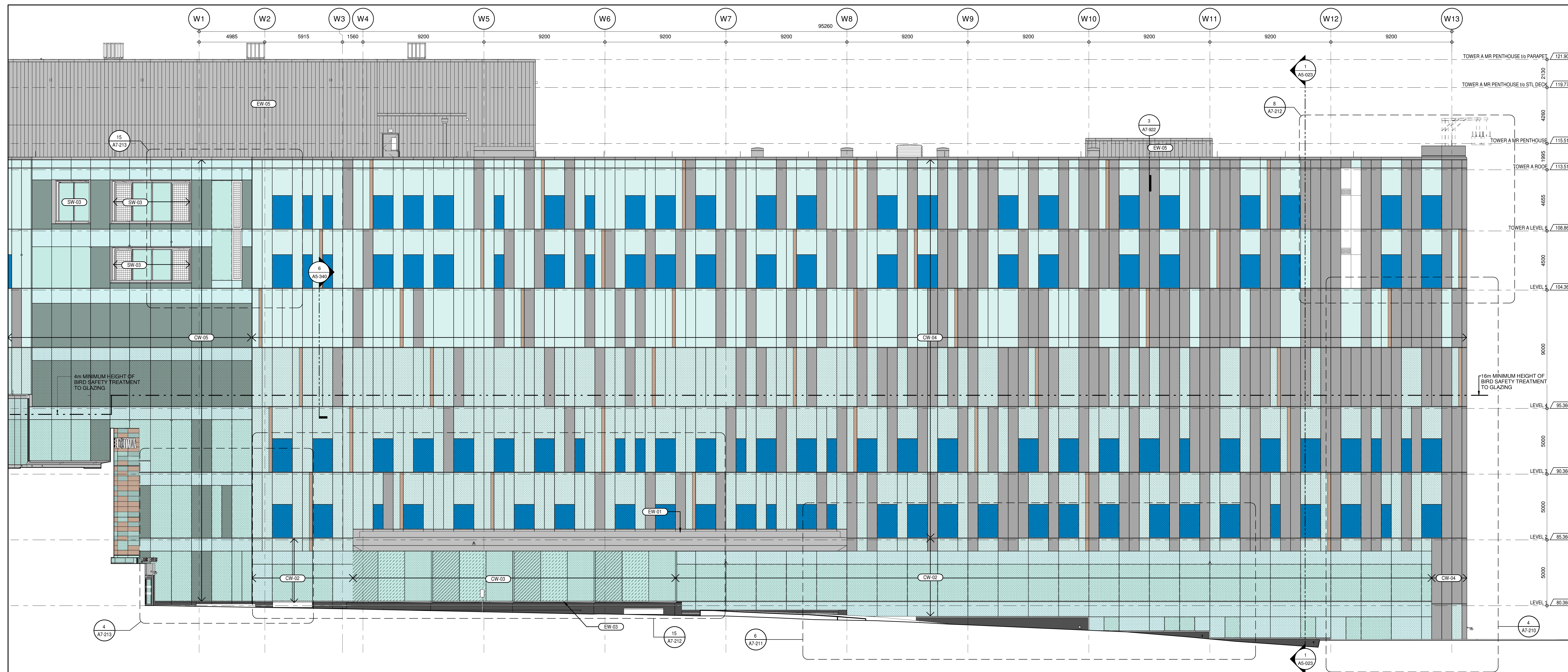
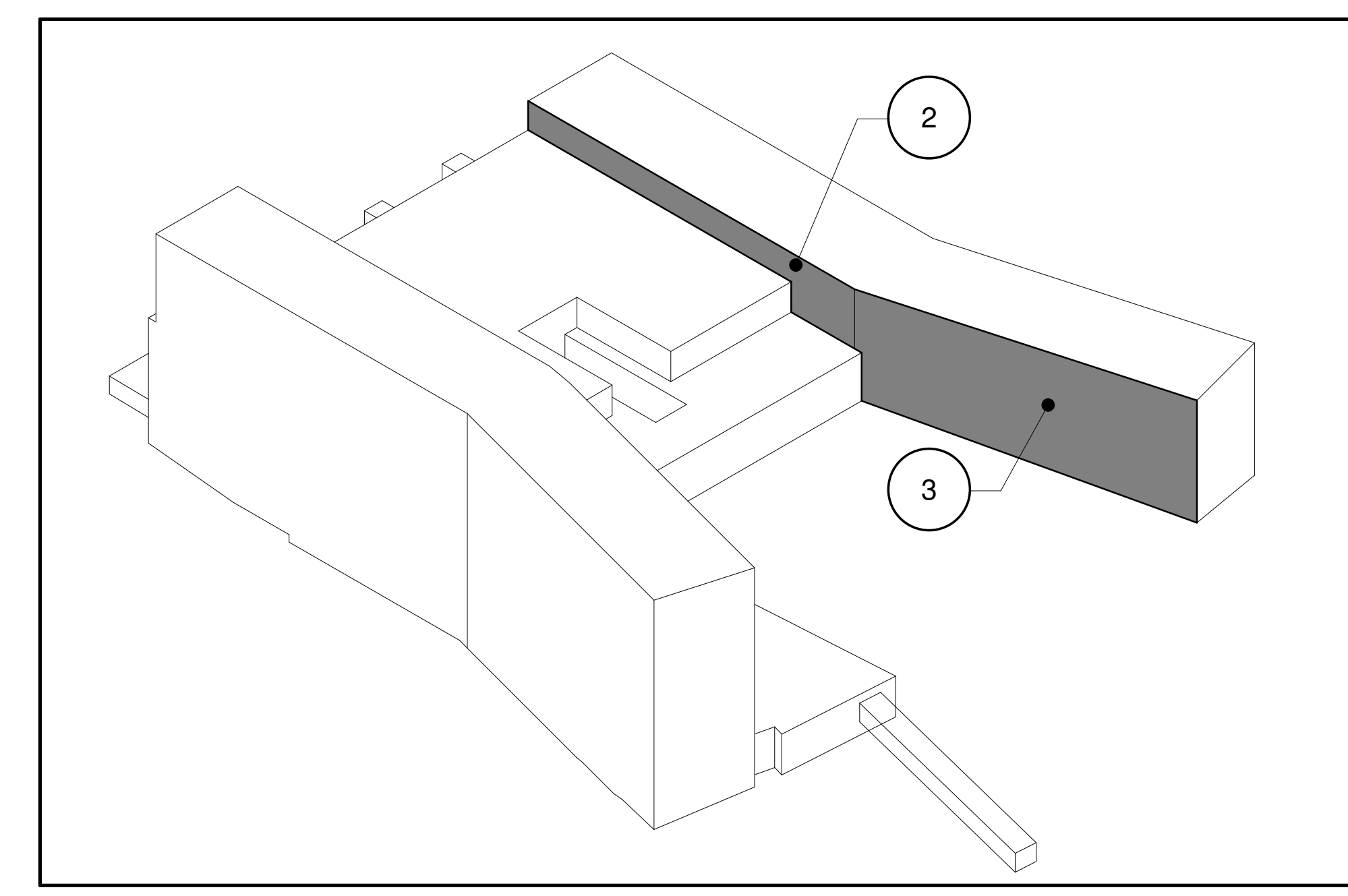


PLOT DATE: 2025/09/19 2:28:18 PM



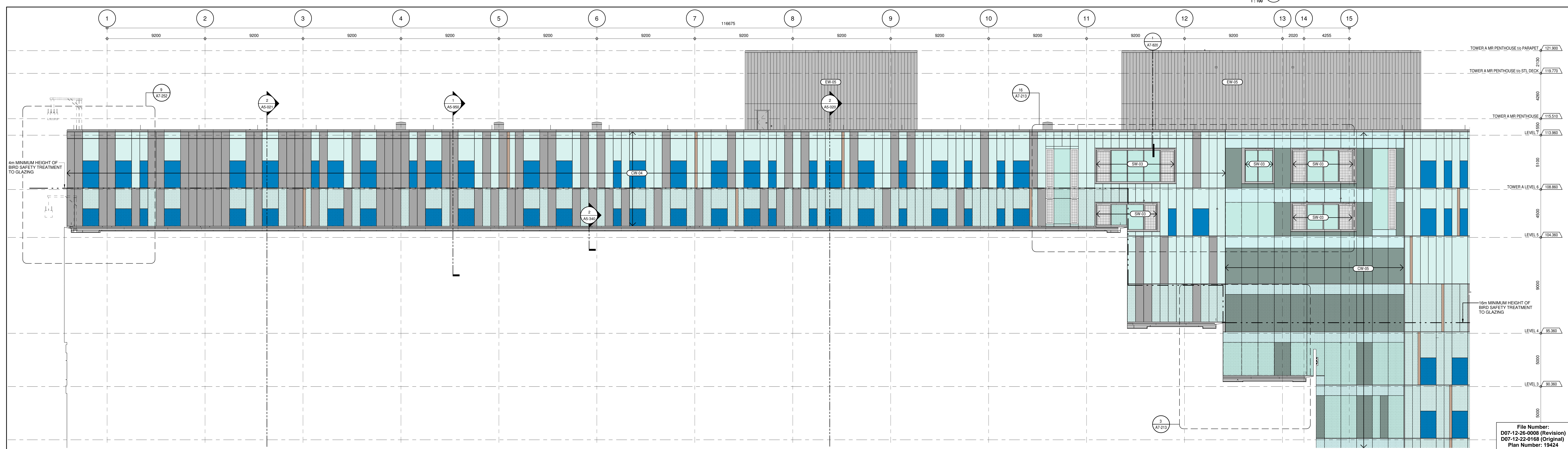
ELEVATION - TOWER A EAST TRUE ELEVATION
AS NOTED
1:100



3D KEY

GENERAL NOTES

FOR GLAZING GENERAL NOTES, REFER TO A5-110



ELEVATION - TOWER A EAST TRUE ELEVATION
AS NOTED
1:100

PROJECT
THE OTTAWA HOSPITAL
NEW CAMPUS
DEVELOPMENT -
PHASE 4 MAIN HOSPITAL
BUILDING
900 CARLING AVE. OTTAWA, ONTARIO

CLIENT
The Ottawa Hospital | L'Hôpital d'Ottawa

CONSTRUCTION
PCL | EllisDon

CLIENT PROJECT NO.
1070002

KEY PLAN
TRUE NORTH | PROJECT NORTH

REVISIONS

NO.	DATE	DESCRIPTION
01	2020-02-27	01 SITE PLAN CONTROL REGISTRATION RZ
02	2020-03-03	02 DESIGN BUILD BASELINE SUBMISSION
03	2025-09-19	03 95% DD SUBMISSION

DRAWING STATUS
NOT FOR CONSTRUCTION
DISCREPANCIES MUST BE REPORTED IMMEDIATELY TO THE ARCHITECT BEFORE PROCEEDING. ONLY PLOTTED DIMENSIONS ARE TO BE USED. CONTRACTORS MUST CHECK ALL DIMENSIONS ON SITE. THIS DRAWING IS PROTECTED BY COPYRIGHT.
ALL DIMENSIONS ARE SHOWN IN METRIC.

AUTHOR
adamson ASSOCIATES ARCHITECTS
A Partnership of Corporations

PROJECT TEAM
DESIGN-BUILDER: PARSON ARCHITECTS LIMITED
ARCHITECT: JOSHUA MARINE PRATTE ARCHITECTS
ARCHITECT: ADAMSON ASSOCIATES ARCHITECTS
ARCHITECT: BRUCE ARCHITECTS OTTAWA INC.
STRUCTURAL: SIKAS OPEN CANADA INC. / BOUHLLETTE PARBEAU INC.
MECHANICAL: HX ANGUS & ASSOCIATES LTD. / SIKAS OPEN CANADA INC.
ELECTRICAL: MELVEY & BROWN INTERNATIONAL INC.
CIVIL: HSP CANADA INC.
LANDSCAPE: VERDECO DESIGN INC. / PWP LANDSCAPE ARCHITECTURE

BUILDING CODE UMOG BUILDING CODE CONSULTANTS LTD.
AUTHOR PROJECT NO. 2233-00

DRAWING TITLE
PARTIAL TRUE ELEVATIONS TOWER A EAST

DRAWN AAA-PT | **CHECKED** JM
SCALE AT 4" x 6" | DATE 19 SEP 2025
AS NOTED | DATE 19 SEP 2025
GRAPHIC SCALE: 1:100 | SCALE IN METERS

DRAWING NO. A5-150 | **REV. NO.** 03

File Number: D07-12-26-0008 (Revision)
D07-12-22-0168 (Original)
Plan Number: 19424