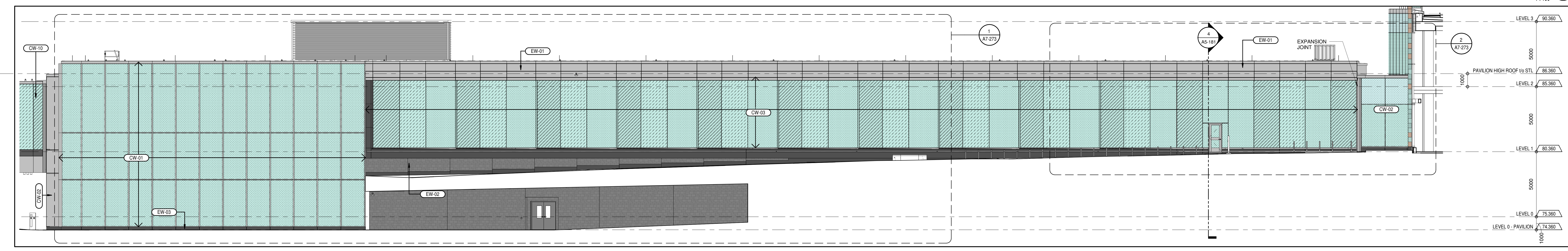


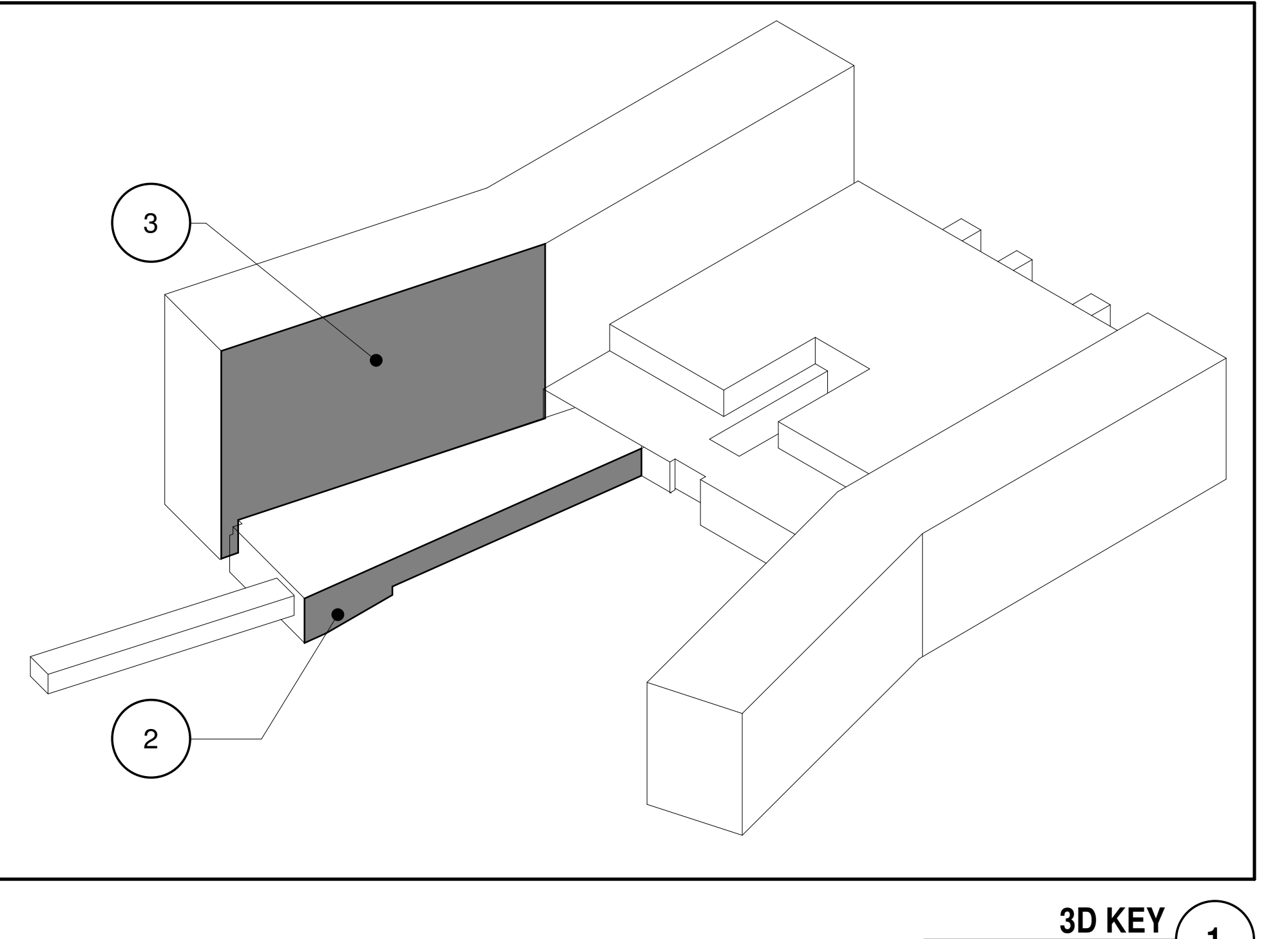
10/15/2025 10:58:13 AM  
 10/15/2025 10:58:13 AM  
 10/15/2025 10:58:13 AM



ELEVATION - TOWER B WEST TRUE ELEVATION 3



ELEVATION - PAVILION TRUE ELEVATION 2



3D KEY 1

**GENERAL NOTES**  
 FOR GLAZING GENERAL NOTES, REFER TO A5-110

NO.	REVISIONS	DATE
01	01 SITE PLAN CONTROL REVISIONS R2	2020-03-07
02	02 DESIGN BUILD BASELINE SUBMISSION	2020-03-09
03	03 95% DD SUBMISSION	2020-09-10
04	04 100% DD SUBMISSION	2020-09-10

**DRAWING STATUS**  
**NOT FOR CONSTRUCTION**

DISCREPANCIES MUST BE REPORTED IMMEDIATELY TO THE ARCHITECT BEFORE PROCEEDING. ONLY DIMENSIONS SHOWN ON THIS DRAWING ARE TO BE USED. CONTRACTORS MUST CHECK ALL DIMENSIONS ON SITE. THIS DRAWING IS PROTECTED BY COPYRIGHT.

ALL DIMENSIONS ARE SHOWN IN METRIC.

**AUTHOR**

**PROJECT TEAM**

**DESIGN-BUILDER** POLED A JOINT VENTURE  
 PARON ARCHITECTS LIMITED  
 ZOOCH/LAMARIE/PATTE ARCHITECTS  
 ADAMSON ASSOCIATES ARCHITECTS  
 880 ARCHIBUS OTTAWA INC.

**STRUCTURAL** SIKAS/OPEN CANADA INC.  
 BOUTHILLETTE PARBEAU INC.

**MECHANICAL** HH ANGUS & ASSOCIATES LTD.  
 SIKAS/OPEN CANADA INC.

**ELECTRICAL** MELVEY & BROWN INTERNATIONAL INC.  
 WSP-SANDS INC.

**CIVIL** WSP-SANDS INC.

**LANDSCAPE** VERTICOS DESIGN INC.  
 PWP LANDSCAPE ARCHITECTURE

**BUILDING CODE** UMG BUILDING CODE CONSULTANTS LTD.

**AUTHOR PROJECT NO.** 2233-00

**STAMP**

**DRAWING TITLE**  
**PARTIAL TRUE ELEVATIONS TOWER B AND PAVILION WEST**

**APPROVED**  
 By Sean Moore at 6:28 pm, Jun 11, 2026

**File Number:** D07-12-26-0008 (Revision)  
**D07-12-23-0168 (Original)**  
**Plan Number:** 19424

**PROJECT**  
 THE OTTAWA HOSPITAL  
 NEW CAMPUS  
 DEVELOPMENT -  
 PHASE 4 MAIN HOSPITAL  
 BUILDING

900 CARLING AVE. OTTAWA, ONTARIO

**CLIENT**  
 The Ottawa Hospital | L'Hôpital d'Ottawa

**CONSTRUCTION**  
 PCL | EllisDon

**CLIENT PROJECT NO.** 1070002

**KEY PLAN**  
 TRUE NORTH | PROJECT NORTH

**REVISIONS**

**NOT FOR CONSTRUCTION**

**AUTHOR**

**PROJECT TEAM**

**DESIGN-BUILDER** POLED A JOINT VENTURE  
 PARON ARCHITECTS LIMITED  
 ZOOCH/LAMARIE/PATTE ARCHITECTS  
 ADAMSON ASSOCIATES ARCHITECTS  
 880 ARCHIBUS OTTAWA INC.

**STRUCTURAL** SIKAS/OPEN CANADA INC.  
 BOUTHILLETTE PARBEAU INC.

**MECHANICAL** HH ANGUS & ASSOCIATES LTD.  
 SIKAS/OPEN CANADA INC.

**ELECTRICAL** MELVEY & BROWN INTERNATIONAL INC.  
 WSP-SANDS INC.

**CIVIL** WSP-SANDS INC.

**LANDSCAPE** VERTICOS DESIGN INC.  
 PWP LANDSCAPE ARCHITECTURE

**BUILDING CODE** UMG BUILDING CODE CONSULTANTS LTD.

**AUTHOR PROJECT NO.** 2233-00

**STAMP**

**DRAWING TITLE**  
**PARTIAL TRUE ELEVATIONS TOWER B AND PAVILION WEST**

**APPROVED**  
 By Sean Moore at 6:28 pm, Jun 11, 2026

**File Number:** D07-12-26-0008 (Revision)  
**D07-12-23-0168 (Original)**  
**Plan Number:** 19424

**DRAWING NO.** A5-161 **REV. NO.** 03