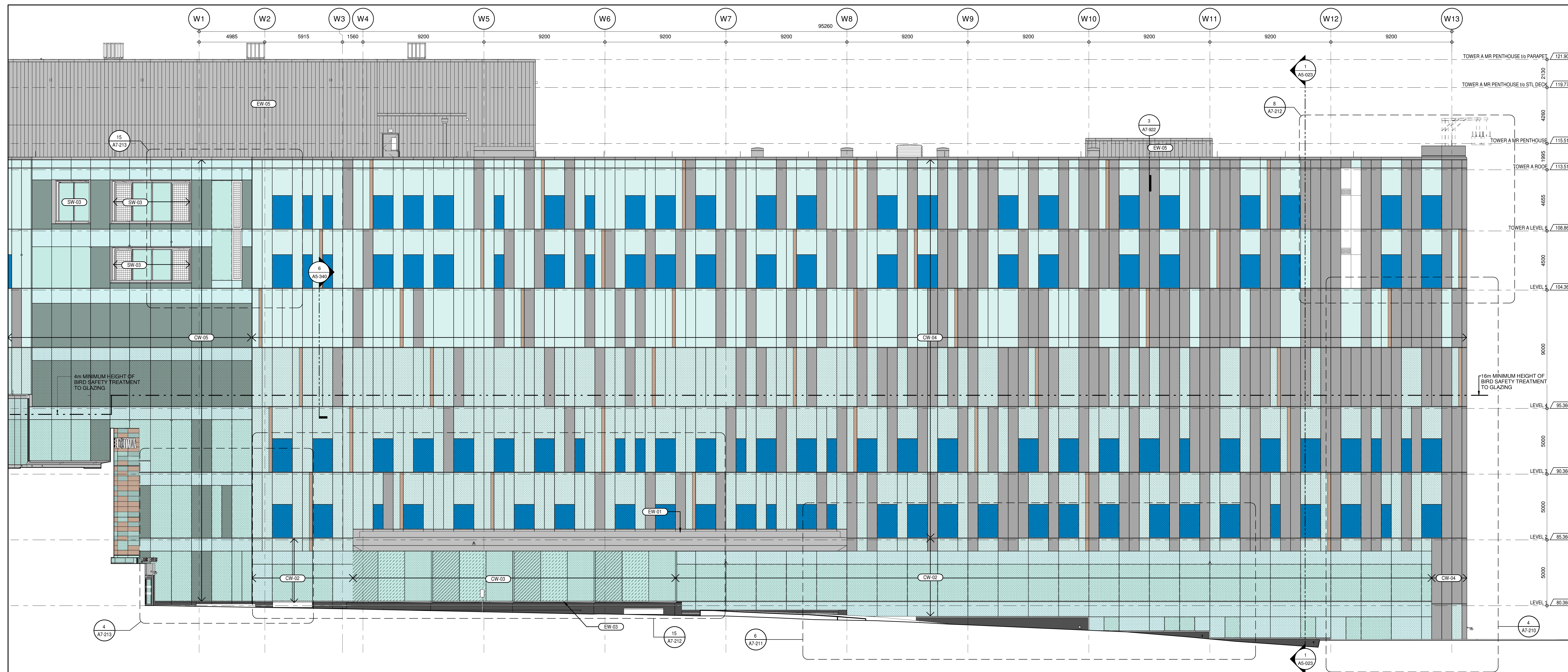
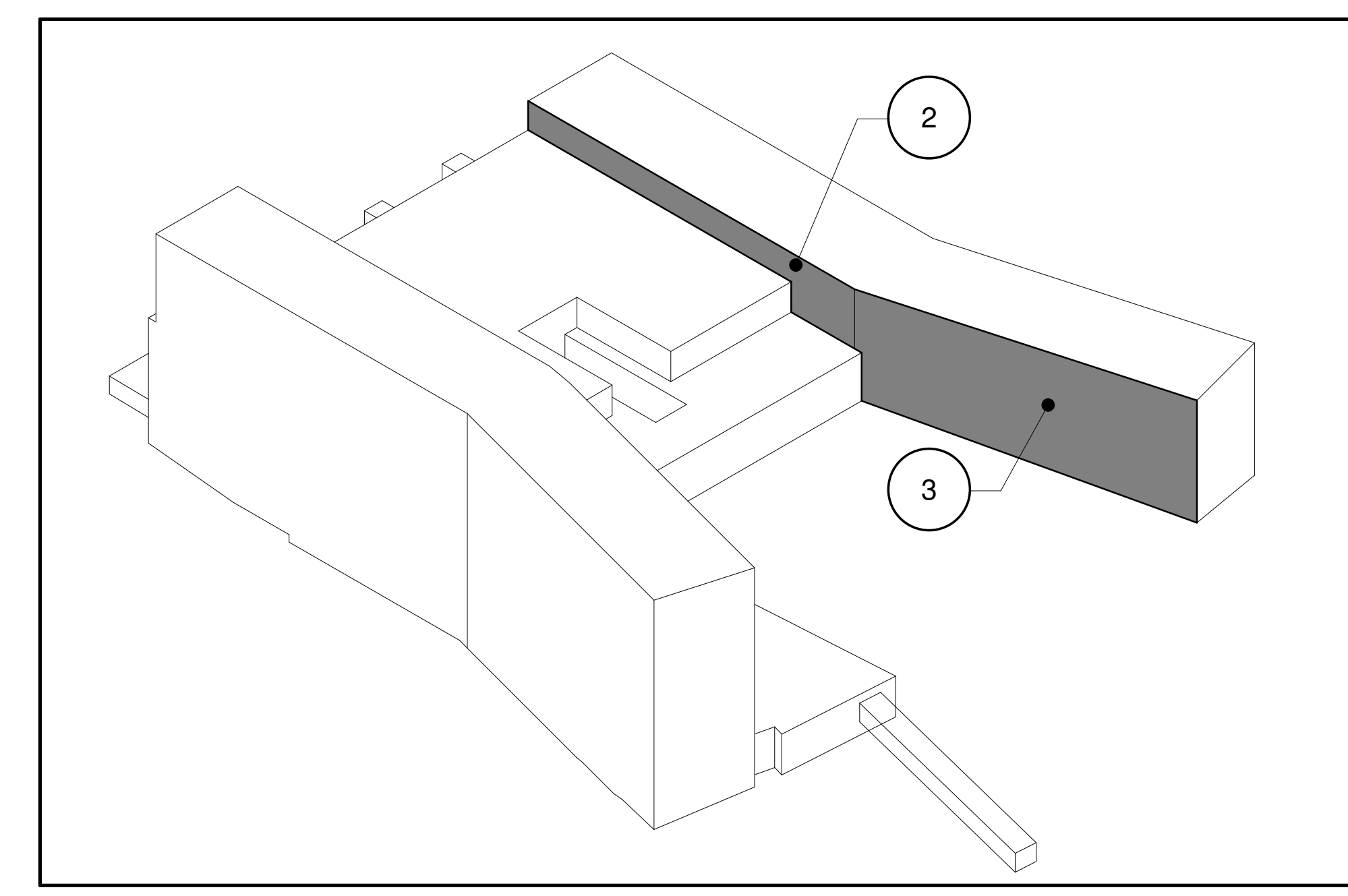


10/16/2025 10:58:18 AM
 10/16/2025 10:58:18 AM



ELEVATION - TOWER A EAST TRUE ELEVATION
 AS NOTED
 1:100



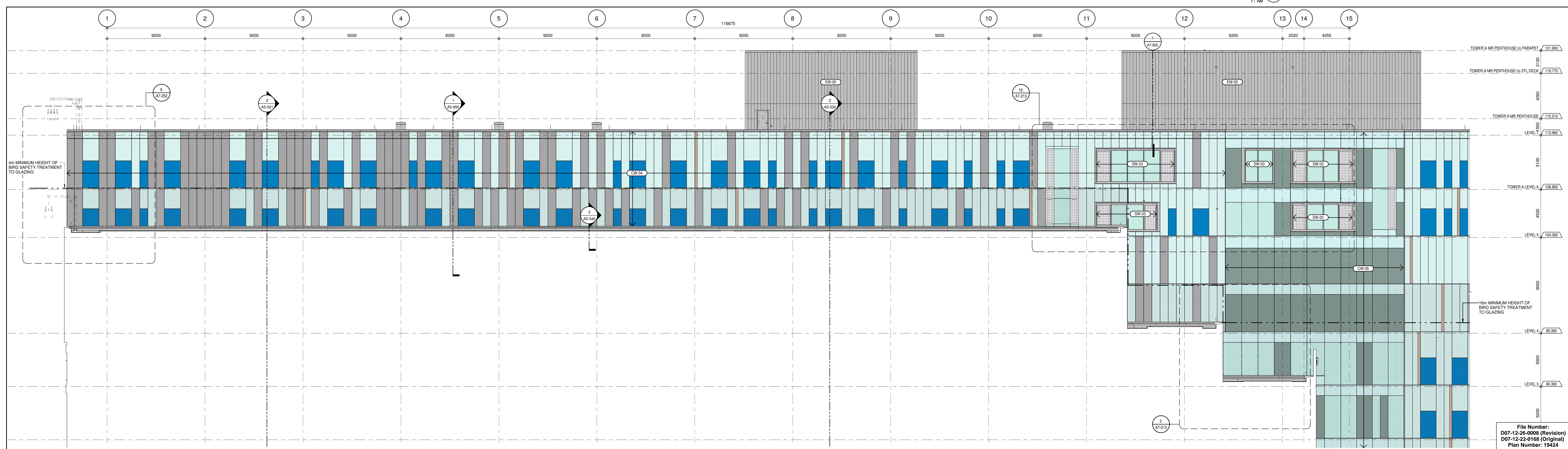
3D KEY 1

GENERAL NOTES

FOR GLAZING GENERAL NOTES, REFER TO A5-110


 SEAN MOORE MCP, RPP
 MANAGER, DEVELOPMENT REVIEW - WEST
 PLANNING, INFRASTRUCTURE & ECONOMIC
 DEVELOPMENT DEPARTMENT, CITY OF OTTAWA

APPROVED
 By Sean Moore at 6:27 pm, Jun 11, 2025



ELEVATION - TOWER A EAST TRUE ELEVATION
 AS NOTED
 1:100

File Number:
 D07-12-26-0008 (Revision)
 D07-12-22-0168 (Original)
 Plan Number: 19424

PROJECT
 THE OTTAWA HOSPITAL
 NEW CAMPUS
 DEVELOPMENT -
 PHASE 4 MAIN HOSPITAL
 BUILDING
 900 CARLING AVE. OTTAWA, ONTARIO

CLIENT
 The Ottawa Hospital | L'Hôpital d'Ottawa

CONSTRUCTION
 PCL | EllisDon

CLIENT PROJECT NO.
 1070002

KEY PLAN
 TRUE NORTH | PROJECT NORTH

REVISIONS
 NO. | DESCRIPTION | DATE

DRAWING STATUS
 NOT FOR CONSTRUCTION
 DISCREPANCIES MUST BE REPORTED IMMEDIATELY TO THE ARCHITECT BEFORE PROCEEDING. ONLY DIMENSIONS SHOWN ON THIS DRAWING ARE TO BE USED. CONTRACTORS MUST CHECK ALL DIMENSIONS ON SITE. THIS DRAWING IS PROTECTED BY COPYRIGHT.

AUTHOR
 adamson ASSOCIATES ARCHITECTS
 A Partnership of Corporations

PROJECT TEAM
 DESIGN-BUILDER: PLOED A JOINT VENTURE
 ARCHITECTURAL: PARON ARCHITECTS LIMITED, JOONILIMARINE PRATTE ARCHITECTS, ADAMSON ASSOCIATES ARCHITECTS, BRB ARCHITECTS OTTAWA INC.
 STRUCTURAL: SIKAS OBEREN CANADA INC., BOUTHELLETTE PARBEAU INC.
 MECHANICAL: HR ANGLUS & ASSOCIATES LTD., SIKAS OBEREN CANADA INC.
 ELECTRICAL: MELVEY & SIMON INTERNATIONAL INC.
 CIVIL: HSP CANADA INC.
 LANDSCAPE: VERTECOLE BROWN INC., PWP LANDSCAPE ARCHITECTURE

BUILDING CODE
 UMG BUILDING CODE CONSULTANTS LTD.
 AUTHOR PROJECT NO.: 2233-00

DRAWING TITLE
 PARTIAL TRUE ELEVATIONS TOWER A EAST

DRAWN
 AAA-PT | CHECKED | JM
 SCALE AT 4" x 6" | DATE | 19 SEP 2025
 AS NOTED

GRAPHIC SCALE
 SCALE IN METERS

DRAWING NO. A5-150 **REV. NO.** 03