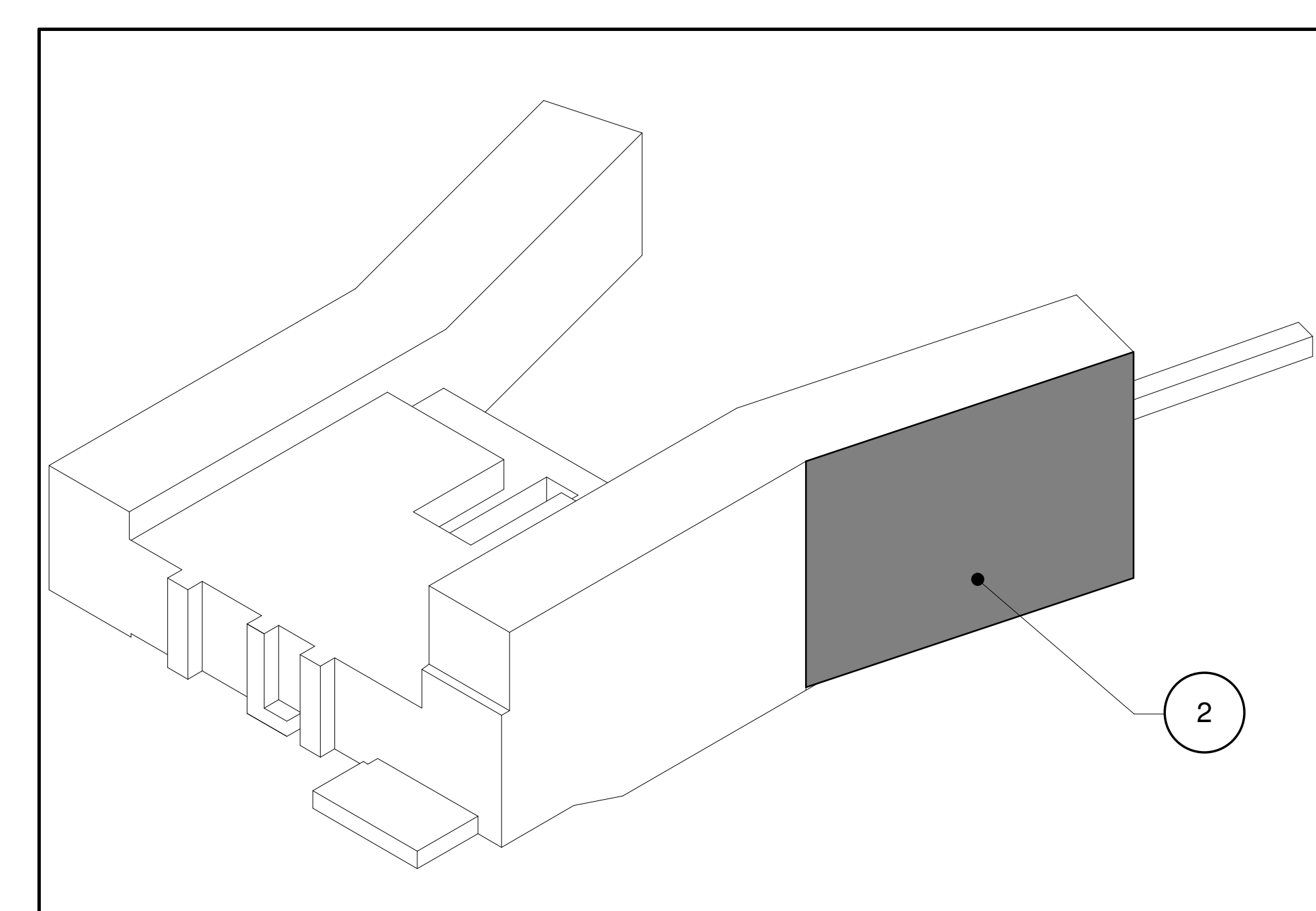
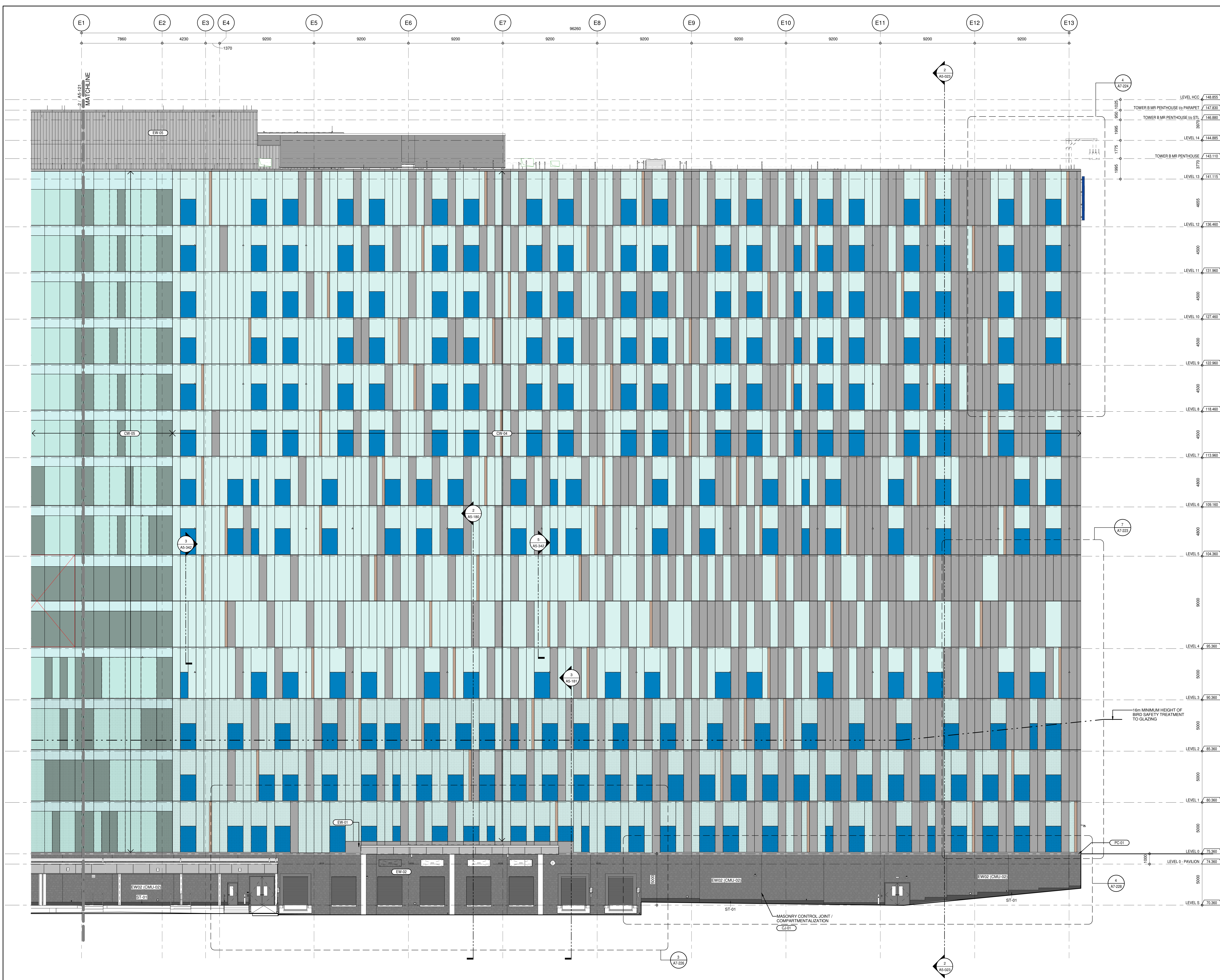


10/16/2025 10:58:15 AM 10/16/2025 10:58:15 AM
 10/16/2025 10:58:15 AM 10/16/2025 10:58:15 AM



GENERAL NOTES
 FOR CLADDING GENERAL NOTES, REFER TO AS-110

SM
SEAN MOORE MCP, RPP
 MANAGER, DEVELOPMENT REVIEW - WEST
 PLANNING, INFRASTRUCTURE & ECONOMIC
 DEVELOPMENT DEPARTMENT, CITY OF OTTAWA

APPROVED
 By Sean Moore at 6:24 pm, Jun 11, 2026

File Number:
 D07-12-26-0008 (Revision)
 D07-12-23-0168 (Original)
 Plan Number: 19424

ELEVATION - EAST TRUE ELEVATION TOWER B
 AC-1053
 1:100

PROJECT
 THE OTTAWA HOSPITAL
 NEW CAMPUS
 DEVELOPMENT -
 PHASE 4 MAIN HOSPITAL
 BUILDING
 900 CARLING AVE. OTTAWA, ONTARIO

CLIENT
 The Ottawa Hospital | L'Hôpital d'Ottawa

CONSTRUCTION
 Infrastructure Ontario | PCL | EllisDon

CLIENT PROJECT NO.
 1070002

KEY PLAN
 TRUE NORTH | PROJECT NORTH

REVISIONS

NO.	DATE	DESCRIPTION
01	2020-02-07	01 SITE PLAN CONTROL REGISTRATION RZ
02	2020-03-05	02 DESIGN BUILD BASELINE SUBMISSION
03	2020-09-10	03 95% DD SUBMISSION
04		04 ISSUED

NOT FOR CONSTRUCTION
 DISCREPANCIES MUST BE REPORTED IMMEDIATELY TO THE ARCHITECT BEFORE PROCEEDING. ONLY DIMENSIONS SHOWN ON THIS DRAWING ARE TO BE USED. CONTRACTORS MUST CHECK ALL DIMENSIONS ON SITE. THIS DRAWING IS PROTECTED BY COPYRIGHT.
 ALL DIMENSIONS ARE SHOWN IN METRIC.

AUTHOR
 adamson ASSOCIATES ARCHITECTS
 A Partnership of Corporations

PROJECT TEAM
DESIGN-BUILDER POLVED A JOINT VENTURE
ARCHITECTURAL PARON ARCHITECTS LIMITED, ZOOCH/LAMARIE PRATTE ARCHITECTS, ADAMSON ASSOCIATES ARCHITECTS, 888 ARCHITECTS OTTAWA INC., SIKAS OPEN CANADA INC., BOUTHELLETTE PARIZEAU INC.
STRUCTURAL SIKAS OPEN CANADA INC., BOUTHELLETTE PARIZEAU INC.
MECHANICAL HX ANGUS & ASSOCIATES LTD., SIKAS OPEN CANADA INC., HEP SAKDA INC.
ELECTRICAL MELVEY & BROWN INTERNATIONAL INC., HEP SAKDA INC.
CIVIL HEP SAKDA INC.
LANDSCAPE VERTECOBS DESIGN INC., PWP LANDSCAPE ARCHITECTURE
BUILDING CODE UMO BUILDING CODE CONSULTANTS LTD.

AUTHOR PROJECT NO.
 2233-00

STAMP

DRAWING TITLE
 PARTIAL TRUE ELEVATIONS EAST

DRAWN	CHECKED
AAA-PT	JM

SCALE AT 4" x 6" DATE 19 SEP 2025
 AS NOTED
 GRAPHIC SCALE 1" = 10'-0" SCALE IN METERS

DRAWING NO. A5-120 **REV. NO.** 03