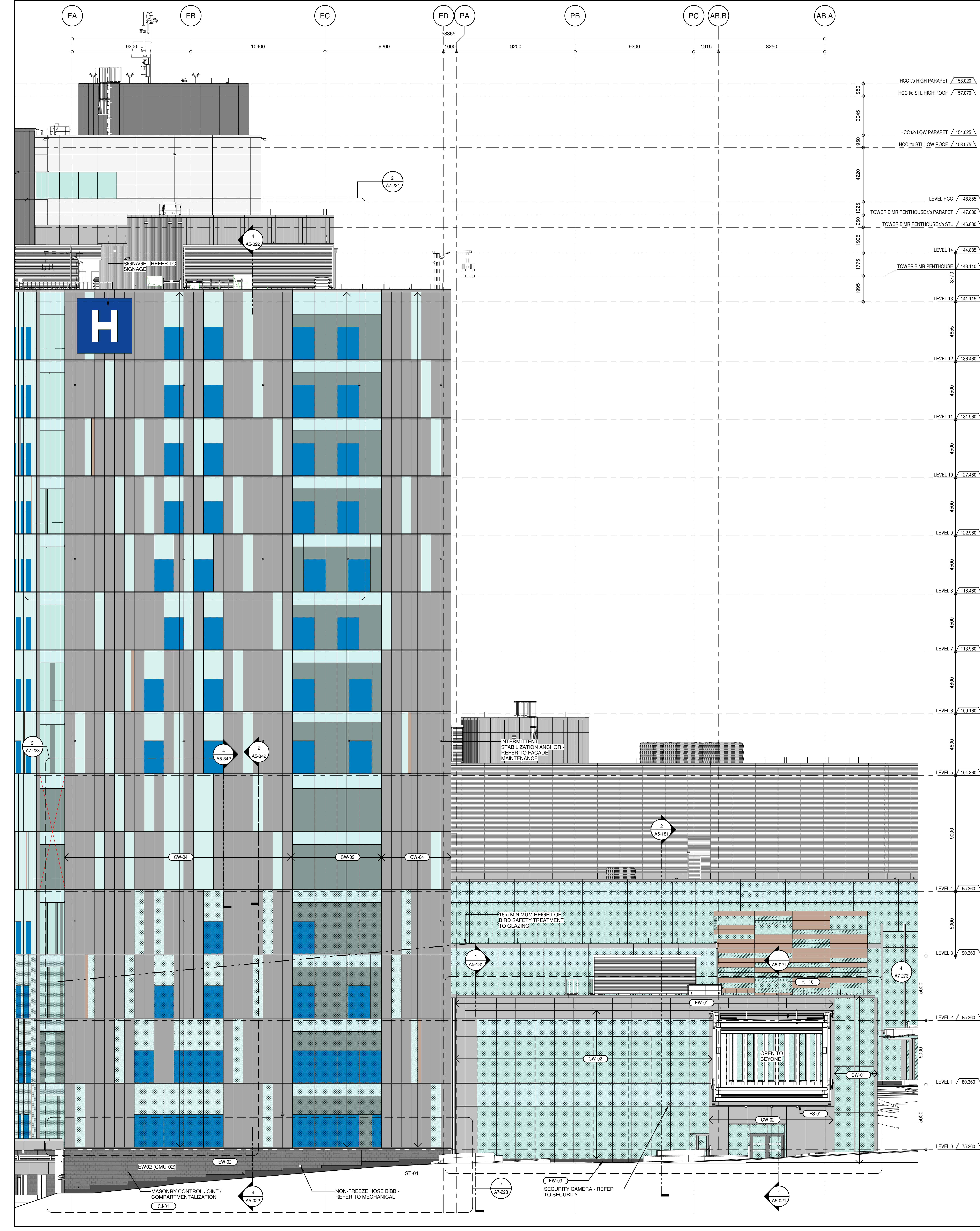
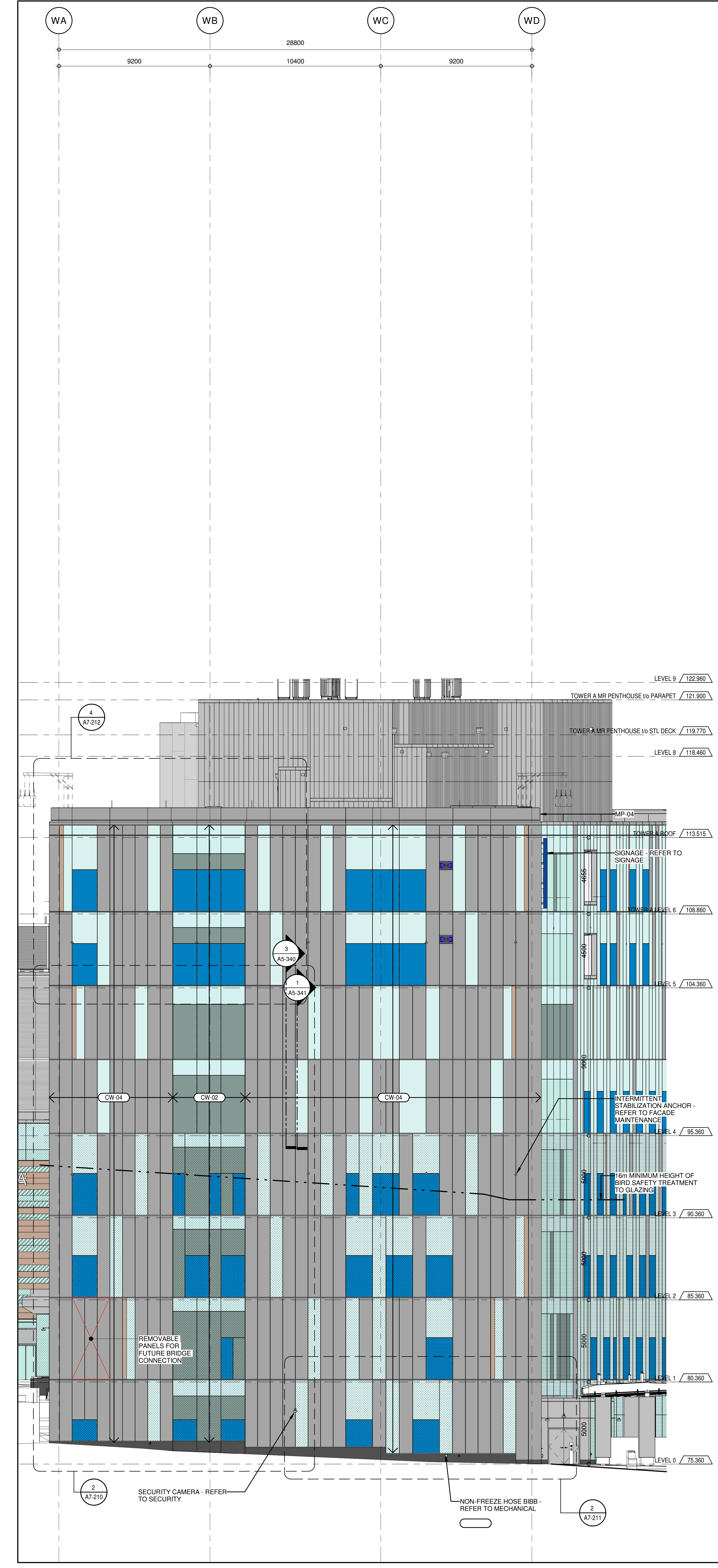


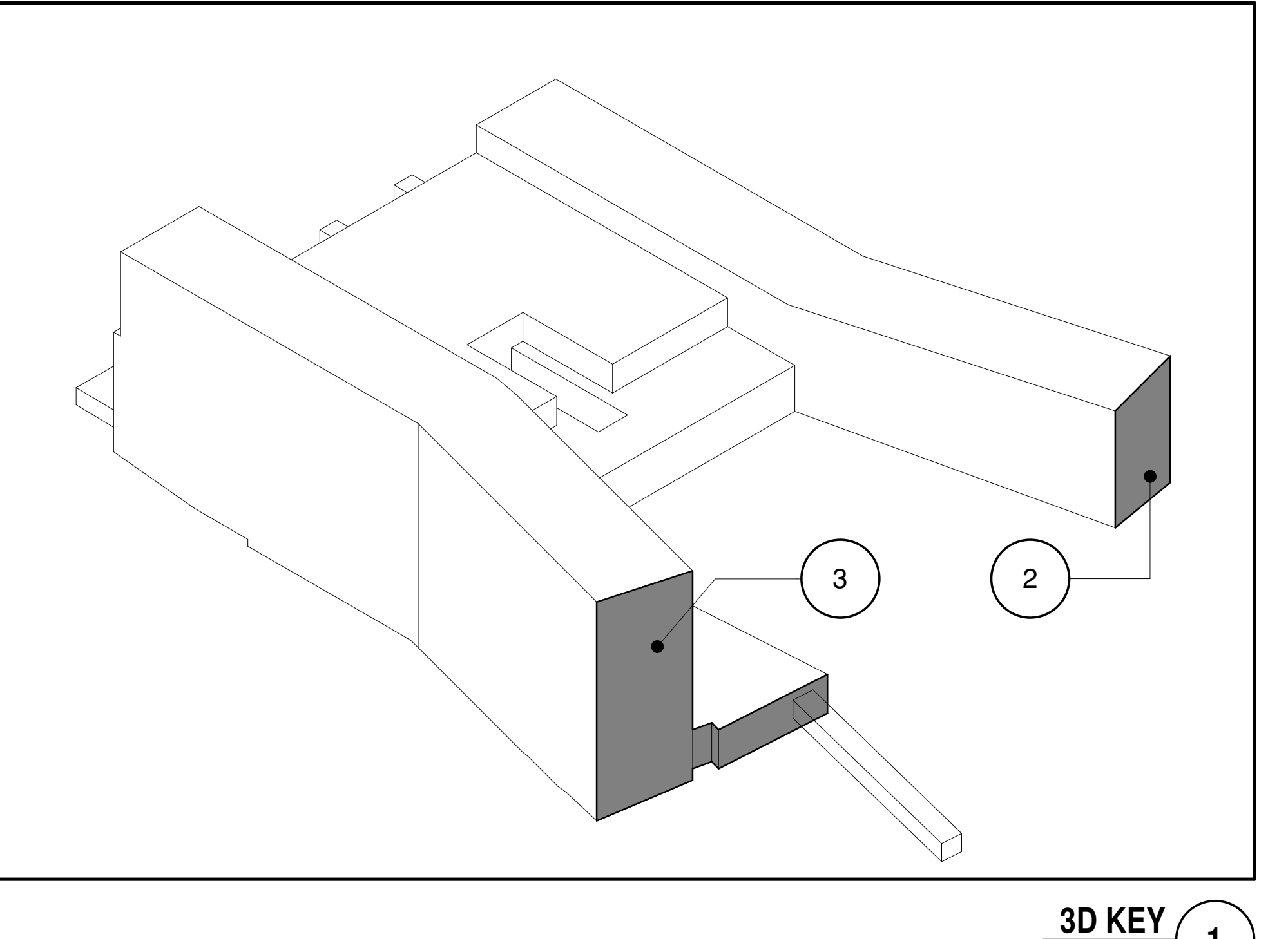
PLOT DATE: 2025/09/19 10:45 AM



ELEVATION - NORTH TRUE ELEVATION TOWER B
A2-100.5
1:100



ELEVATION - NORTH TRUE ELEVATION TOWER A
A2-100.2
1:100



3D KEY 1

ELEVATION PATTERN DESCRIPTION

GLAZING TO RECEIVE BIRD-SAFE TREATMENT	GLAZING WITH DIGITAL PATTERN	GLAZING WITH DIGITAL PATTERN	GLAZING WITH DIGITAL PATTERN

PANEL TYPES

VISION PANEL	VISION PANEL WITH DIGITAL PRINT PATTERN	ECG PANEL	SPANDREL PANEL
VG-01, VG-02	VG-04, VG-05, VG-03, GL-03	VG-06	SG-01, SG-02, SG-06

SPANDREL PANEL DARK	SPANDREL PANEL WITH PARTIAL DIGITAL PRINT PATTERN	PORCELAIN PANEL	METAL PANEL
SG-07	SG-08	PP-01	MP-01, MP-02, MP-03, MP-04, MP-20
			PT-01, PT-02, PT-03, PT-04

SCREEN WALL PANEL	SCREEN WALL METAL MESH	MENTAL HEALTH TERRACE	SPANDREL PROJECTIONS
GL-01, GL-02, GL-04	MP-05	VG-08, SG-09	SG-05

SM
SEAN MOORE MCIP, RPP
MANAGER, DEVELOPMENT REVIEW - WEST
PLANNING, INFRASTRUCTURE & ECONOMIC
DEVELOPMENT DEPARTMENT, CITY OF OTTAWA

APPROVED
By Sean Moore at 6:23 pm, Jun 11, 2026

File Number:
D07-12-26-0008 (Revision)
D07-12-23-0108 (Original)
Plan Number: 19424

PROJECT
THE OTTAWA HOSPITAL
NEW CAMPUS
DEVELOPMENT -
PHASE 4 MAIN HOSPITAL
BUILDING
900 CARLING AVE. OTTAWA, ONTARIO

CLIENT
The Ottawa Hospital | L'Hôpital d'Ottawa

INFRASTRUCTURE ONTARIO

PCL CONSTRUCTION | **EllisDon**

CLIENT PROJECT NO. 1070002

KEY PLAN
TRUE NORTH | PROJECT NORTH

REVISIONS

NO.	DESCRIPTION	DATE
01	01 95% DD SUBMISSION	2025-09-19
02	02 DESIGN BUILD BASELINE SUBMISSION	2026-03-05
03	03 SITE PLAN CONTROL REGISTRATION RZ	2026-03-07

NOT FOR CONSTRUCTION
DISCREPANCIES MUST BE REPORTED IMMEDIATELY TO THE ARCHITECT BEFORE PROCEEDING. ONLY DIMENSIONS SHOWN ON THIS DRAWING ARE TO BE USED. CONTRACTORS MUST CHECK ALL DIMENSIONS ON SITE. THIS DRAWING IS PROTECTED BY COPYRIGHT.

AUTHOR
adamson ASSOCIATES ARCHITECTS
A Partnership of Corporations

PROJECT TEAM
DESIGN-BUILDER: POLVED A JOINT VENTURE
ARCHITECTURAL: PARSON ARCHITECTS LIMITED, ZOOCH/LAMARIE PRATTE ARCHITECTS, ADAMSON ASSOCIATES ARCHITECTS, 880 ARCHITECTS & OTTAWA INC.
STRUCTURAL: SIALO OPEN CANADA INC., BOUTHILLETTE PARBEAU INC.
MECHANICAL: HH ANGUS & ASSOCIATES LTD., SIALO OPEN CANADA INC.
ELECTRICAL: MELVEY & SWAN INTERNATIONAL INC., HSP SHAWA INC.
CIVIL: VERTECOAS DESIGN INC.
LANDSCAPE: PWP LANDSCAPE ARCHITECTURE

BUILDING CODE UMO BUILDING CODE CONSULTANTS LTD.
AUTHOR PROJECT NO. 2233-00

DRAWING TITLE
PARTIAL TRUE ELEVATIONS NORTH

DRAWN: AAA-PT	CHECKED: JM
SCALE AT 4" x 6"	DATE: 19 SEP 2025
AS NOTED	SCALE IN METERS

DRAWING NO. A5-110 **REV. NO.** 03