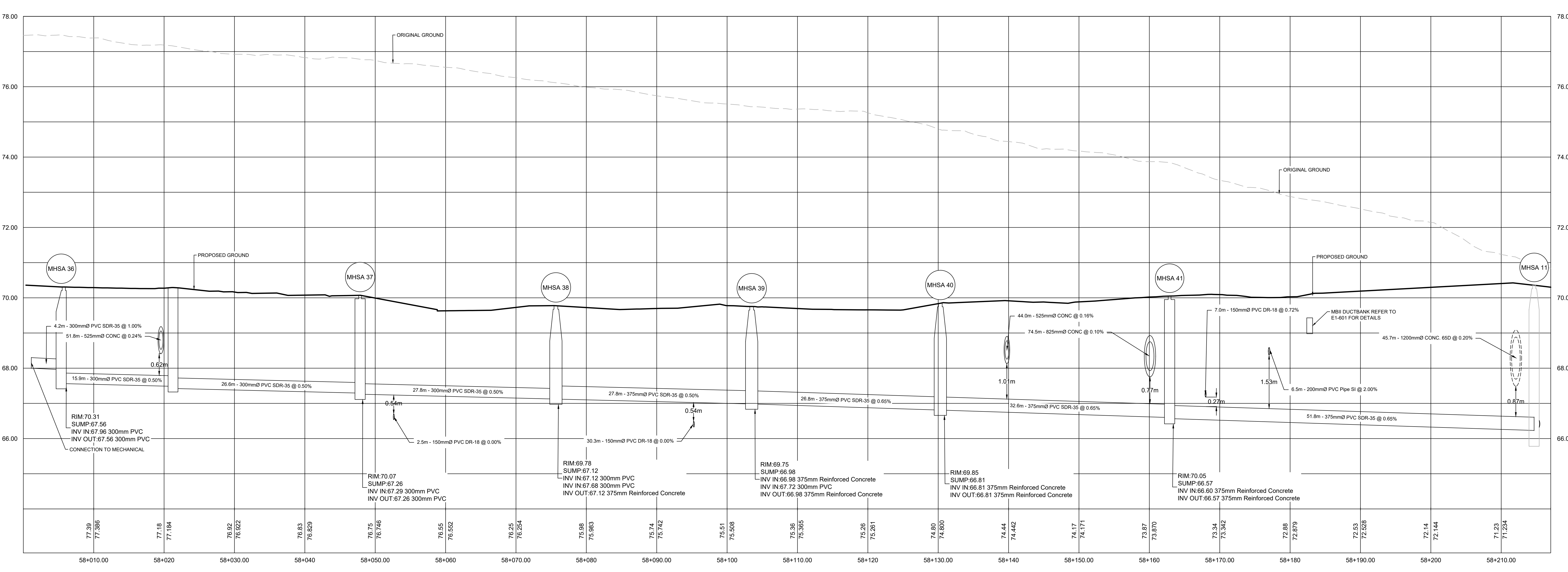
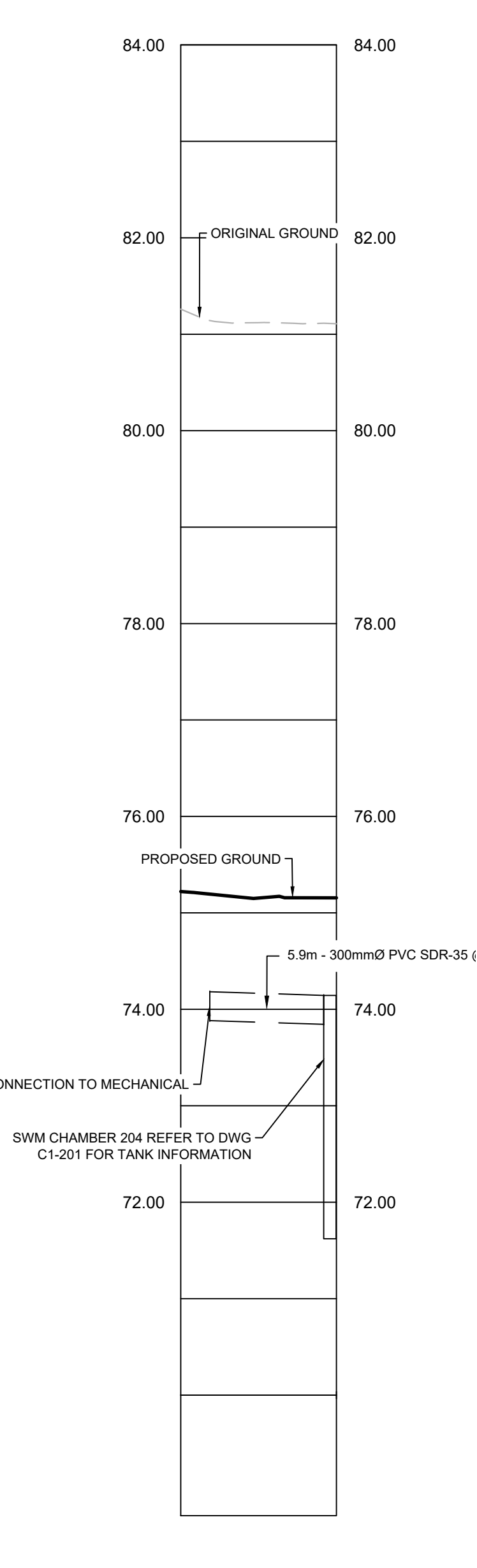
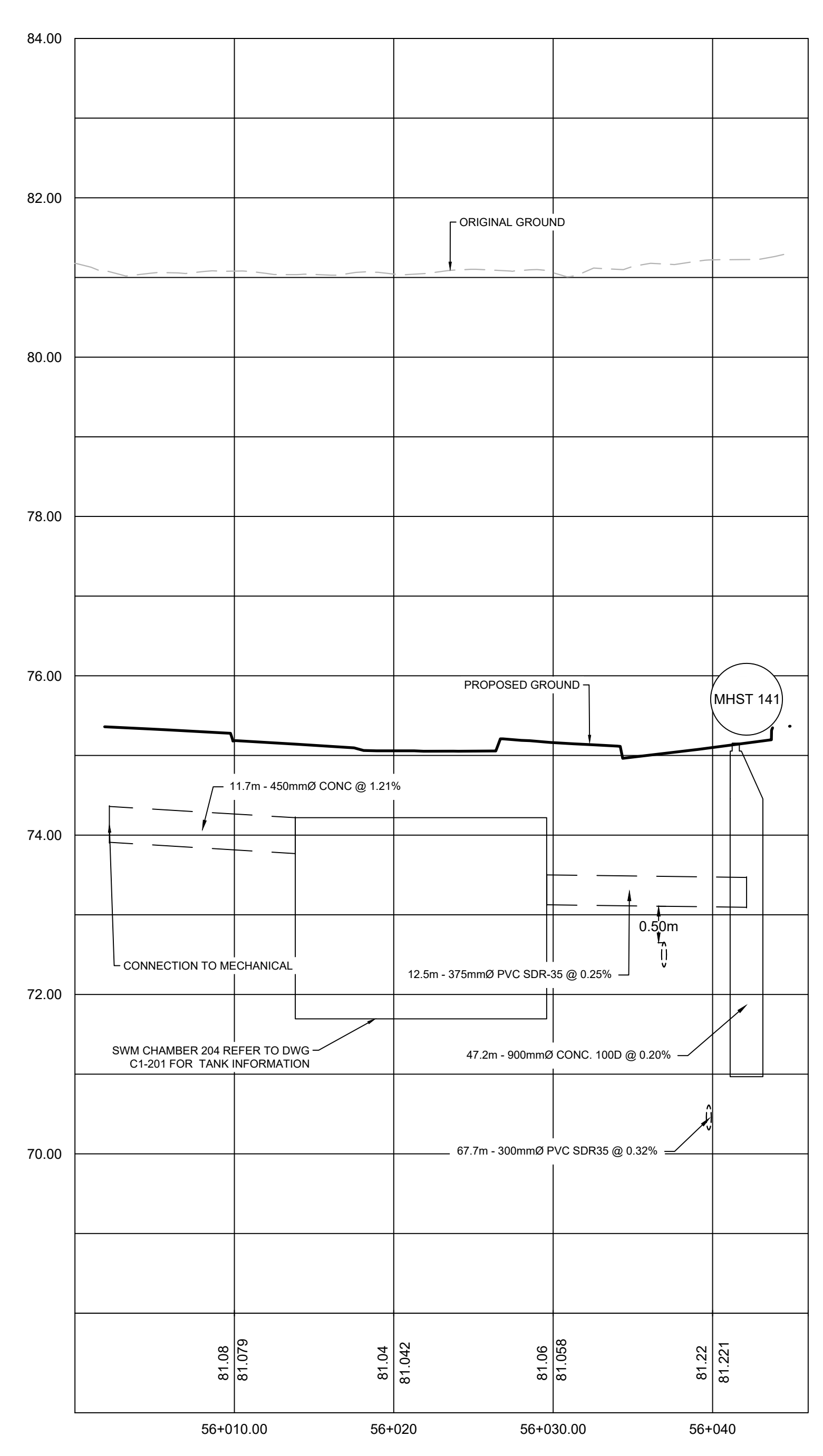
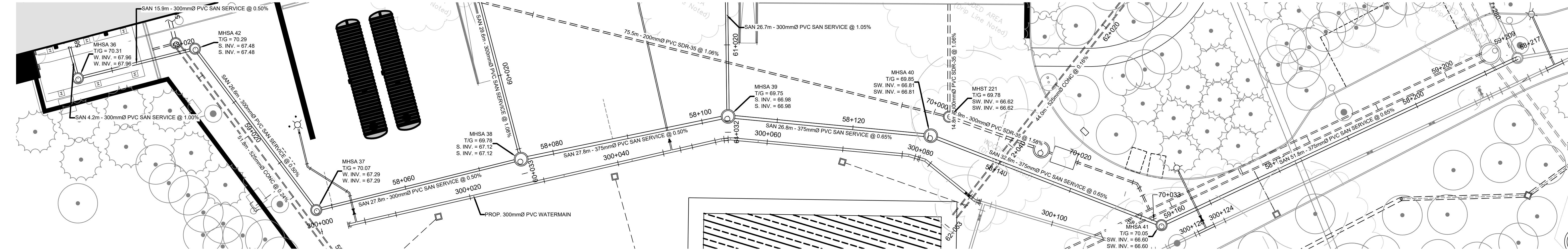
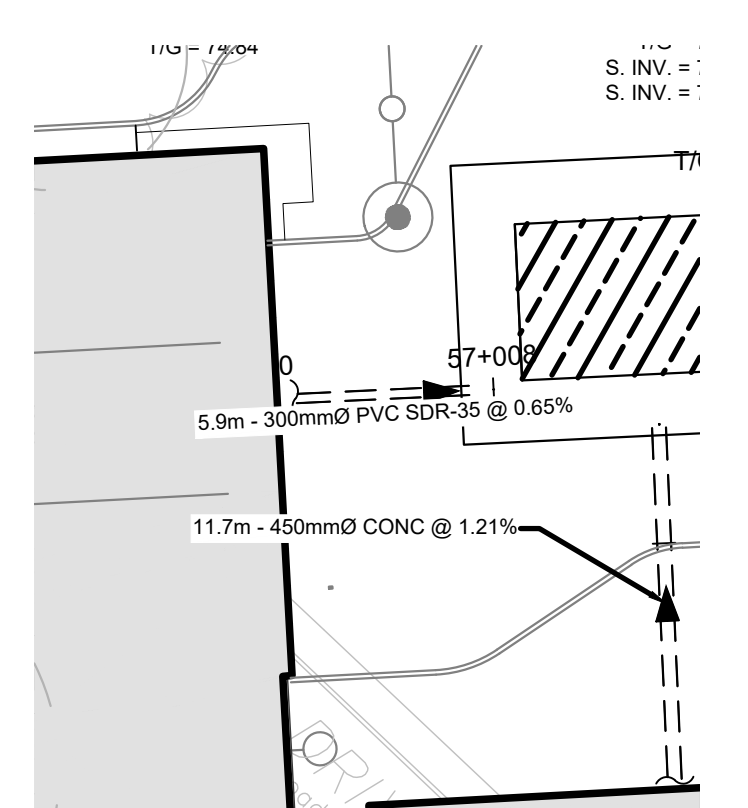
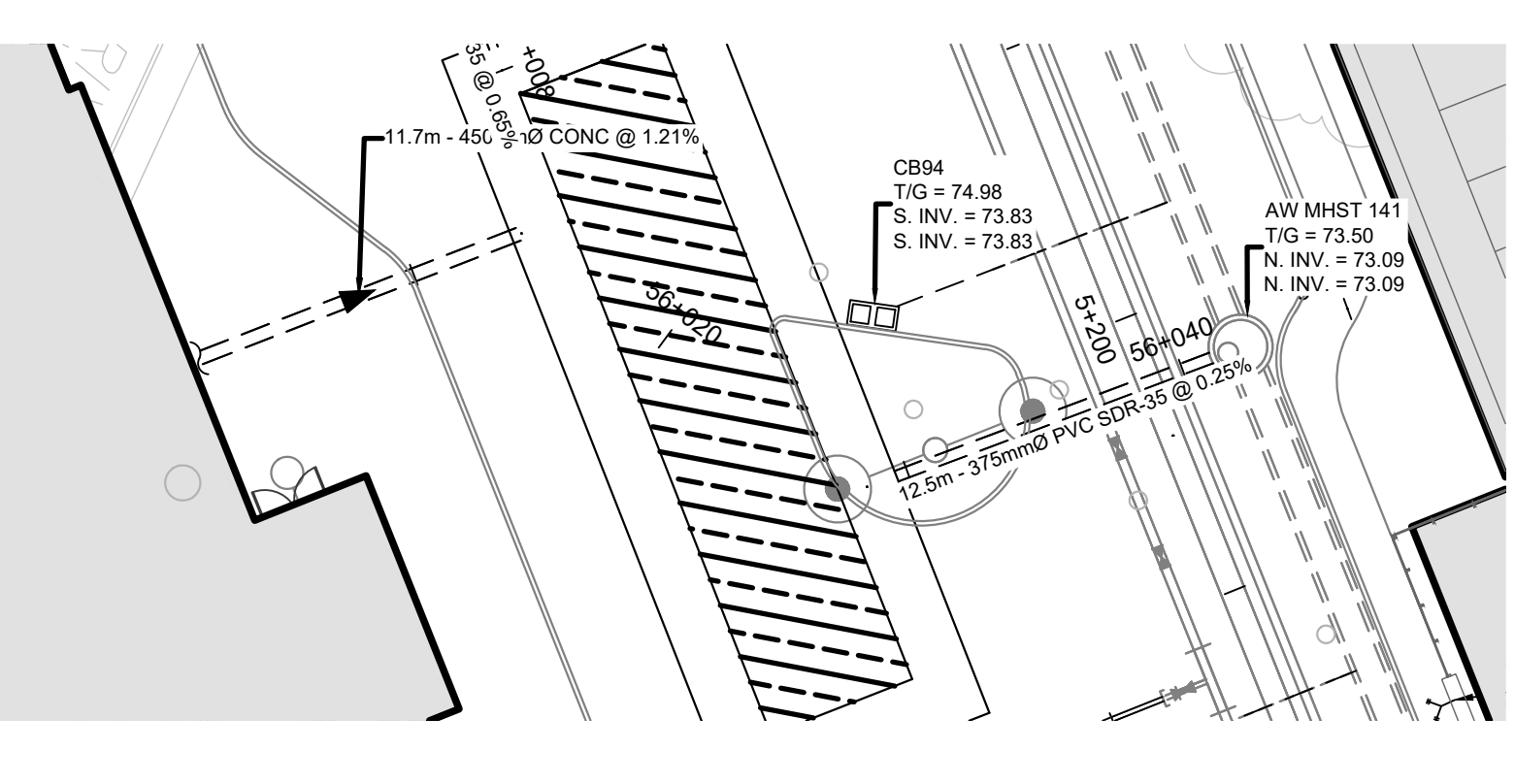
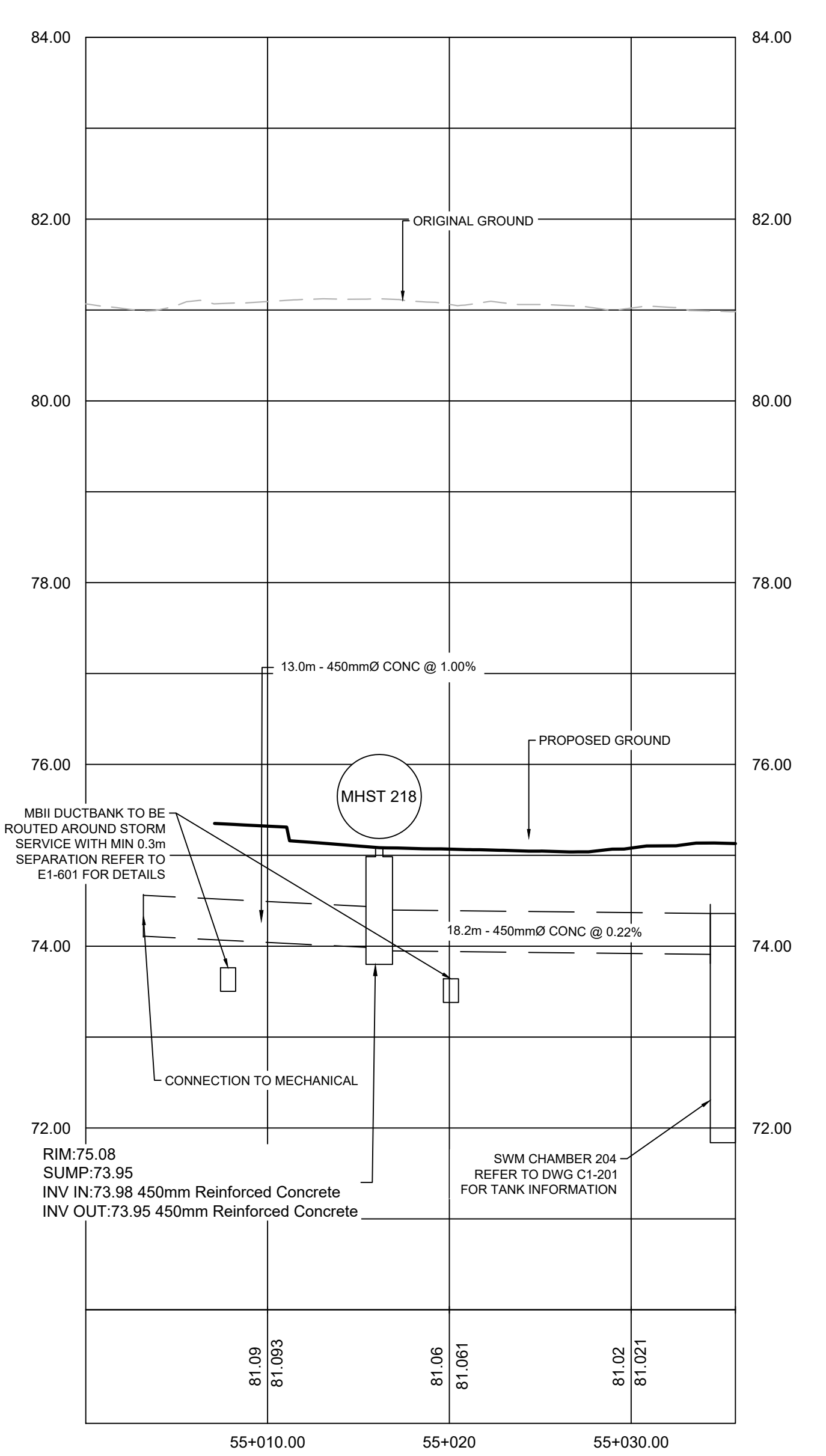
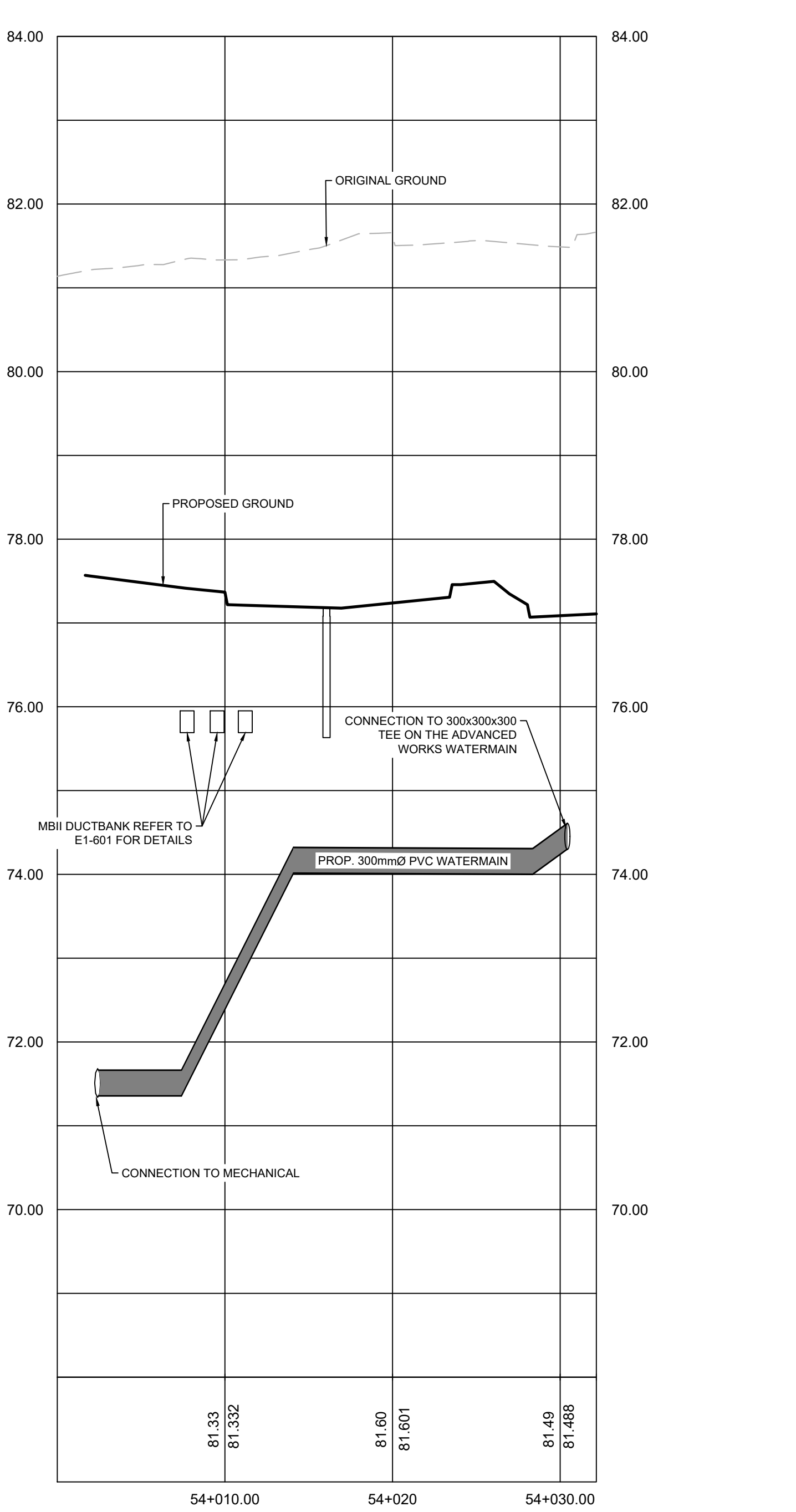
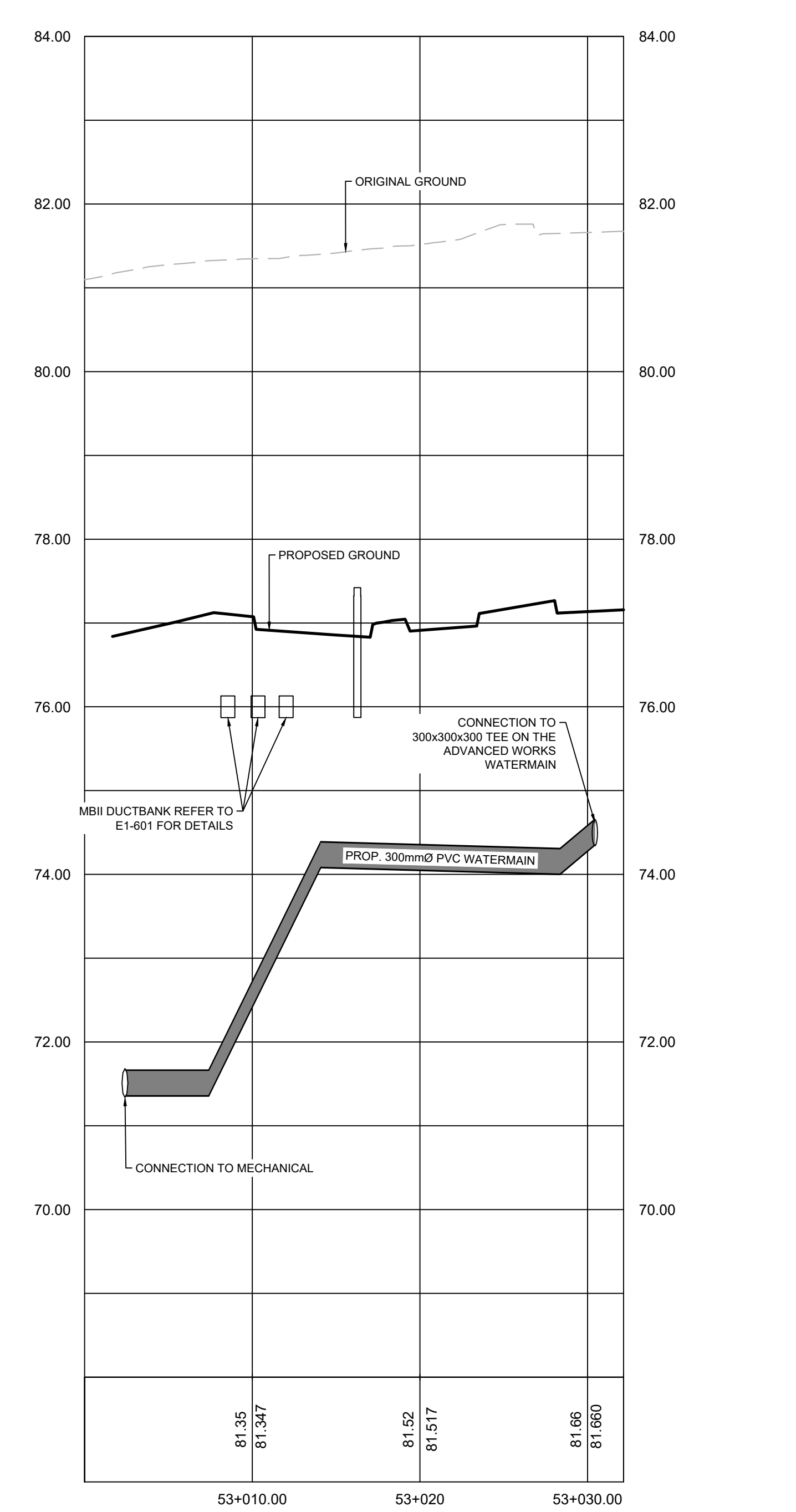
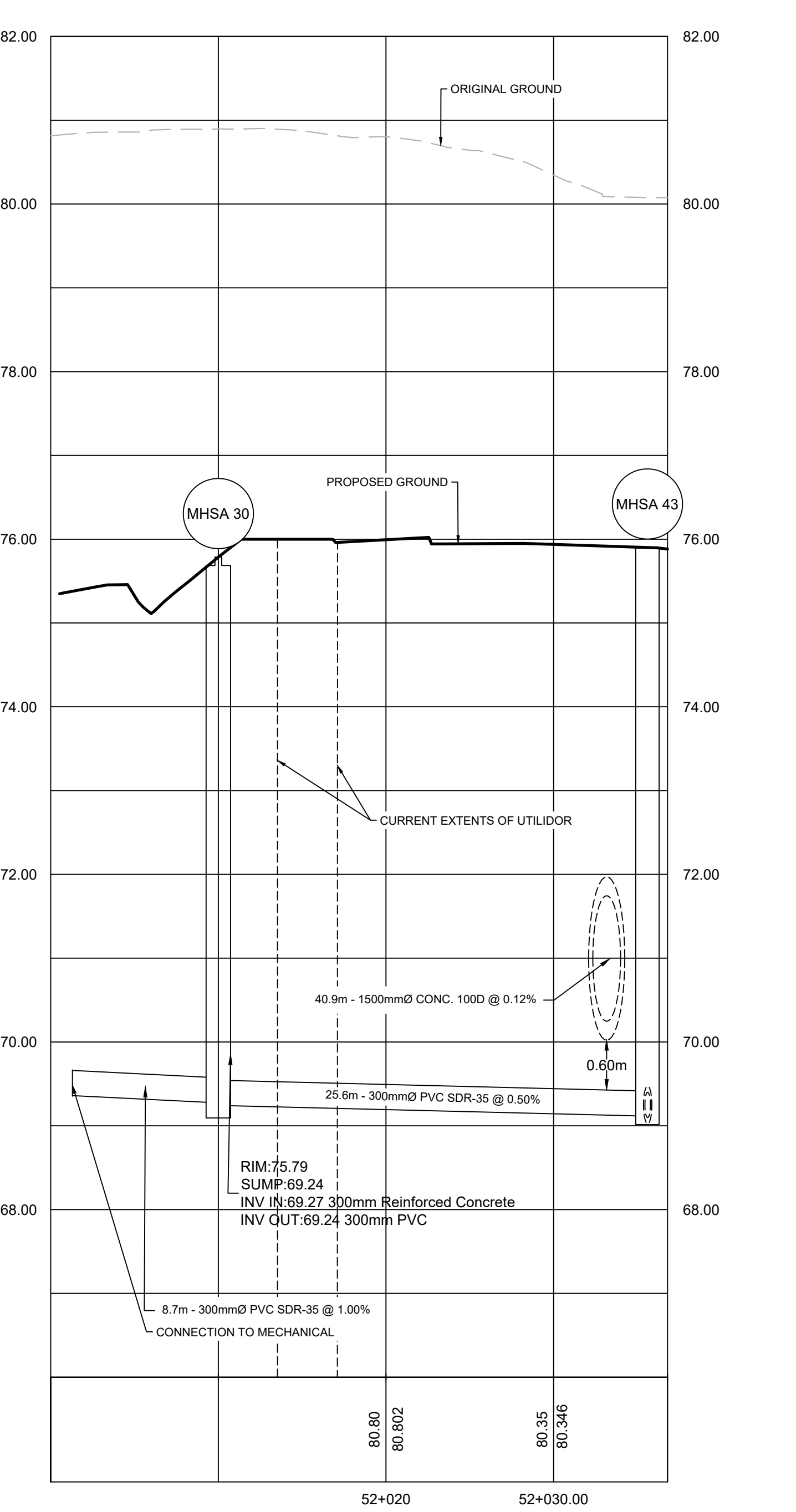
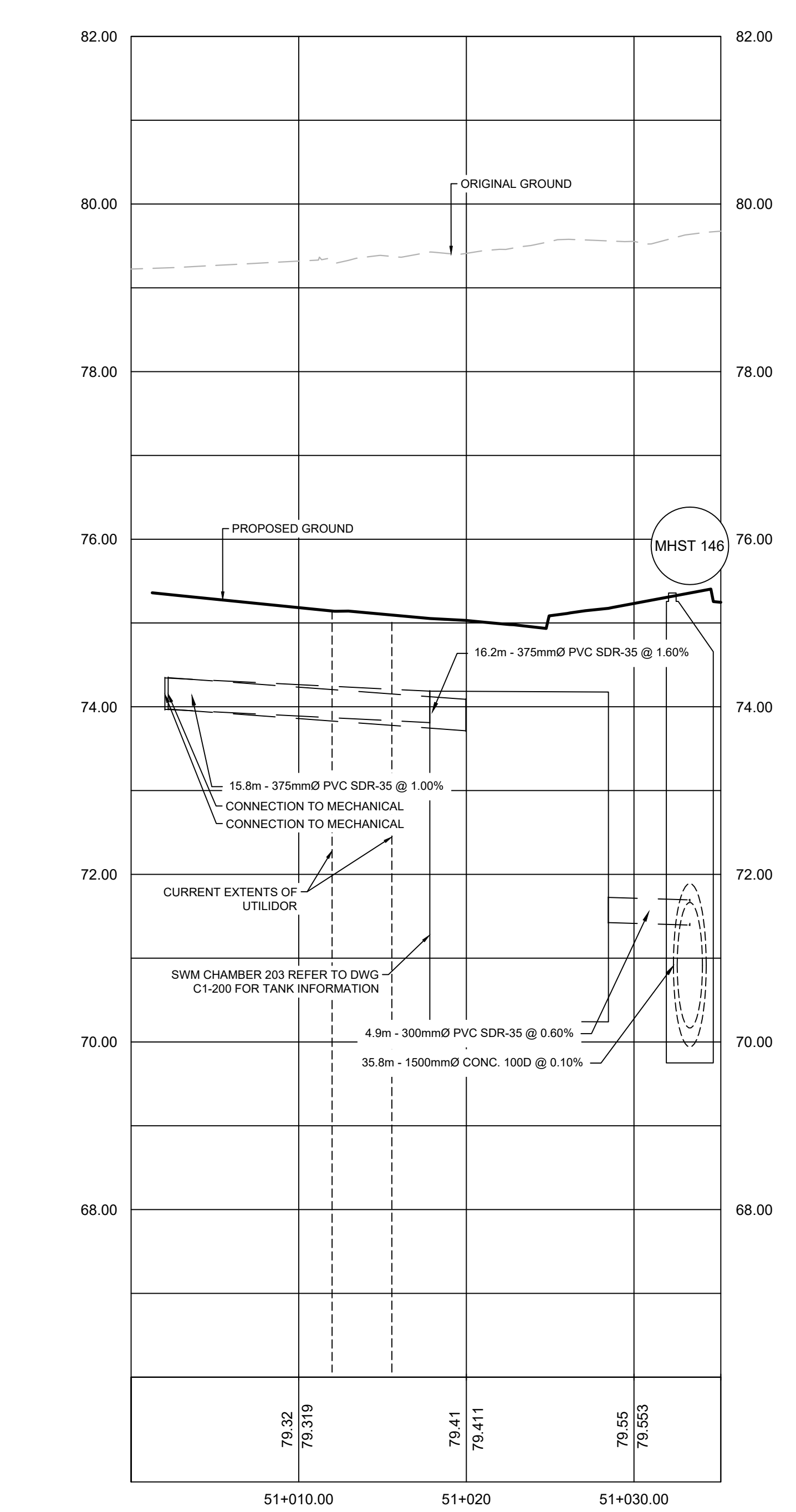
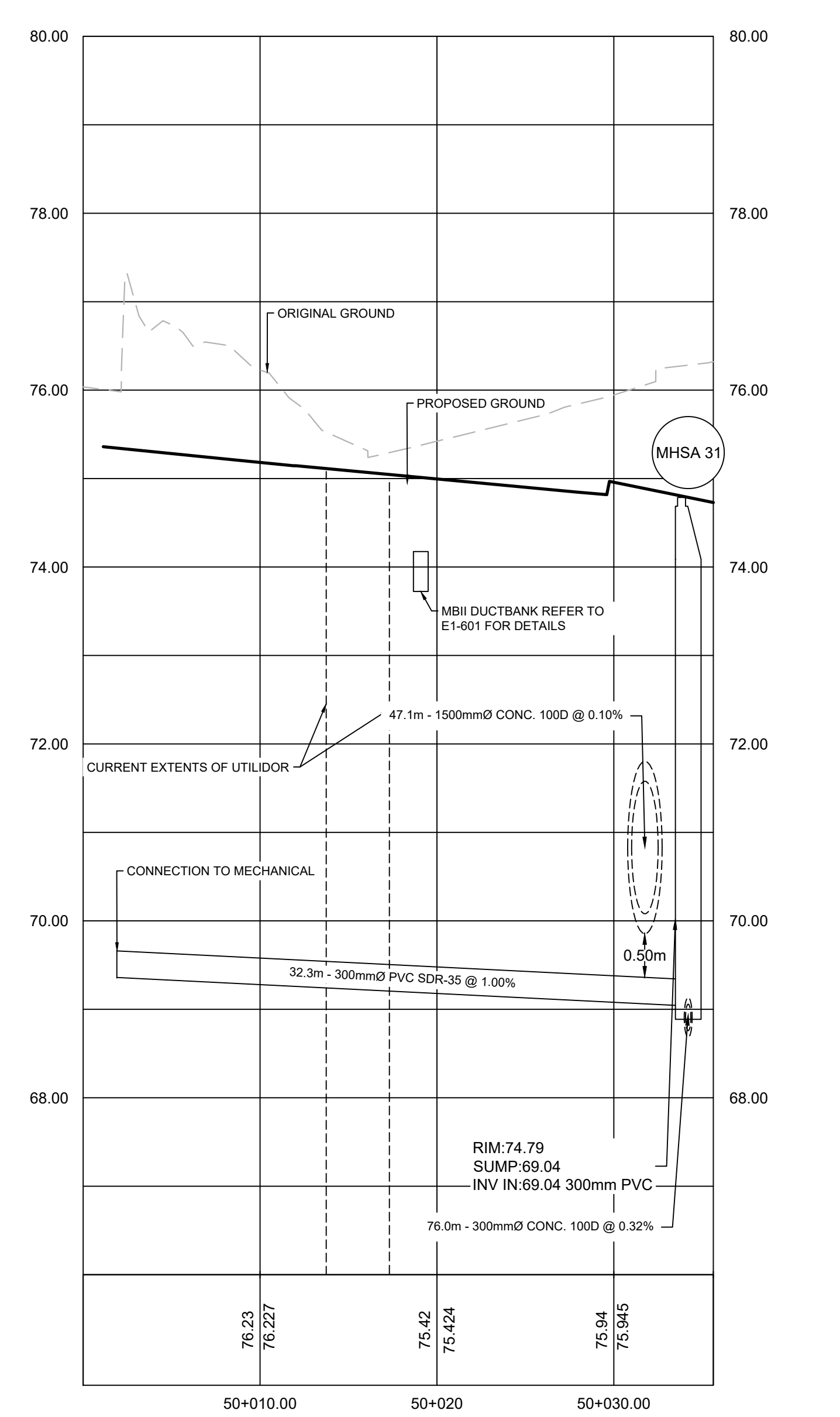
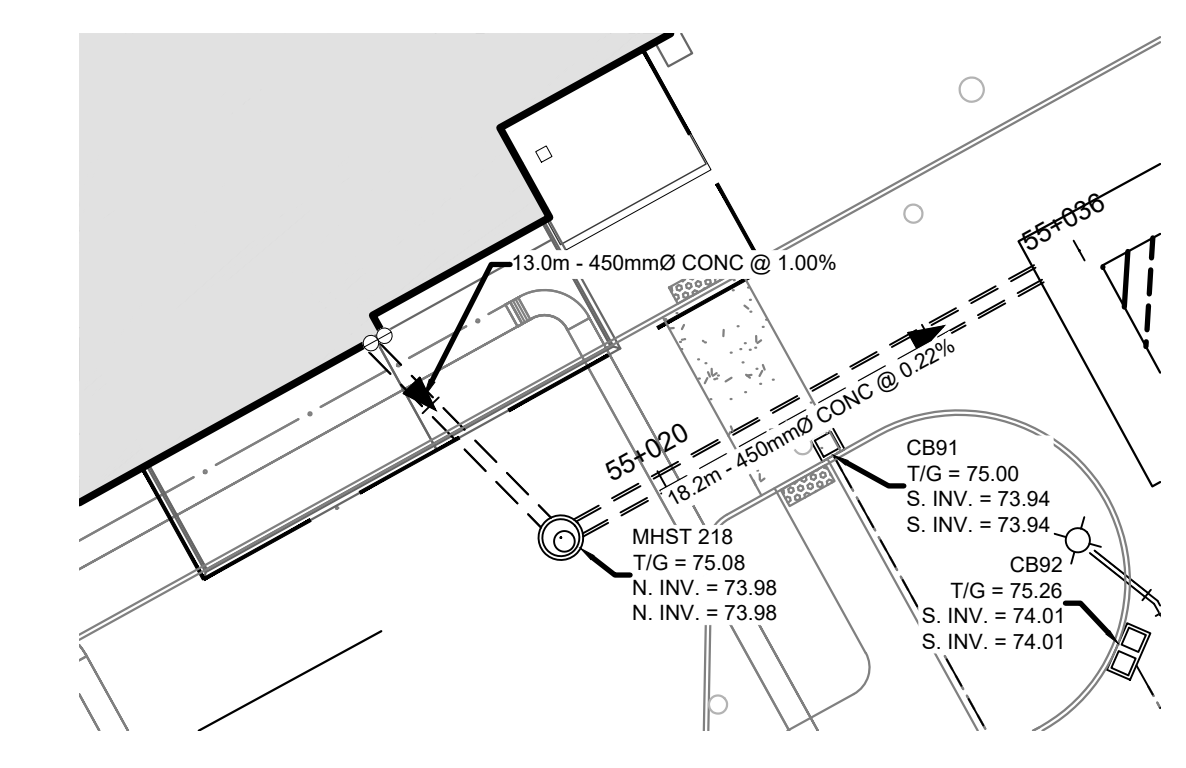
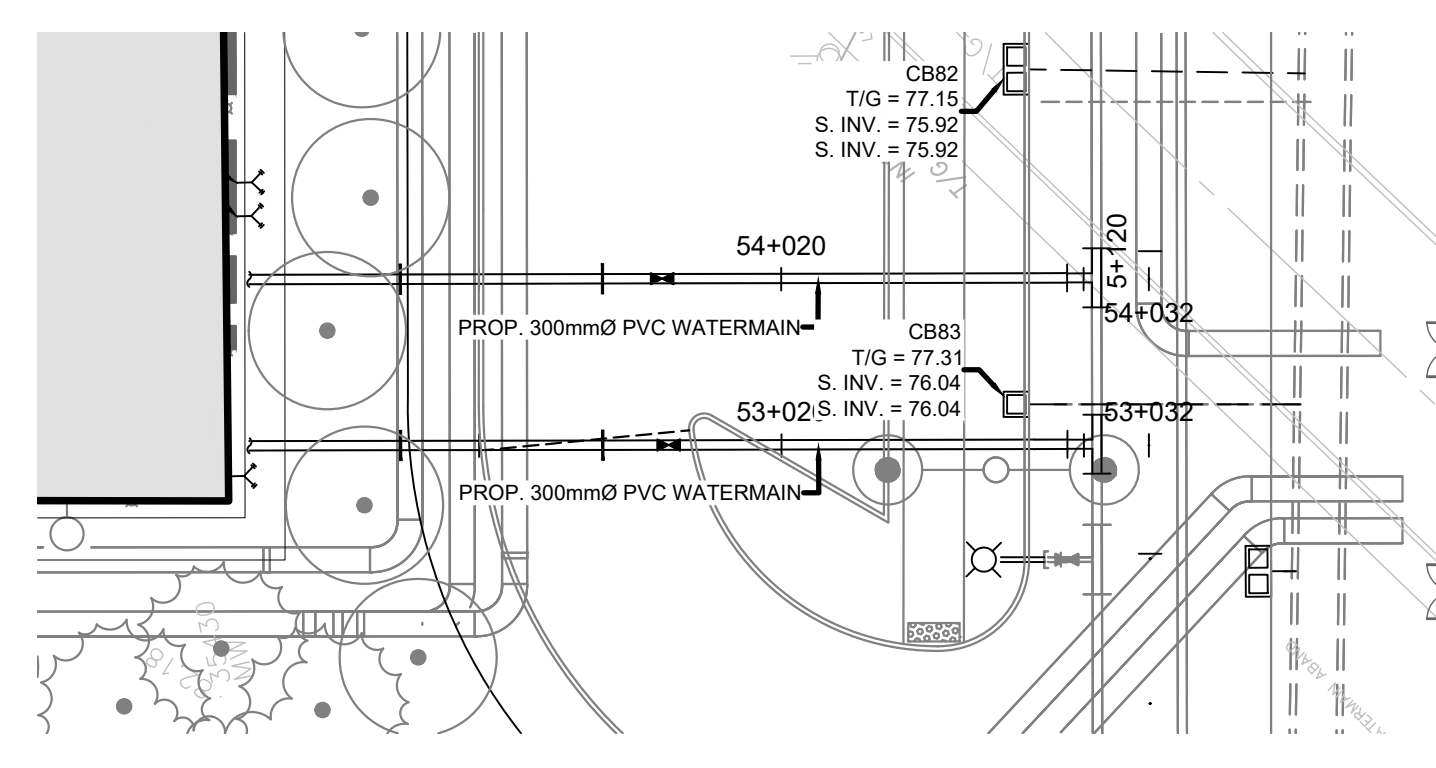
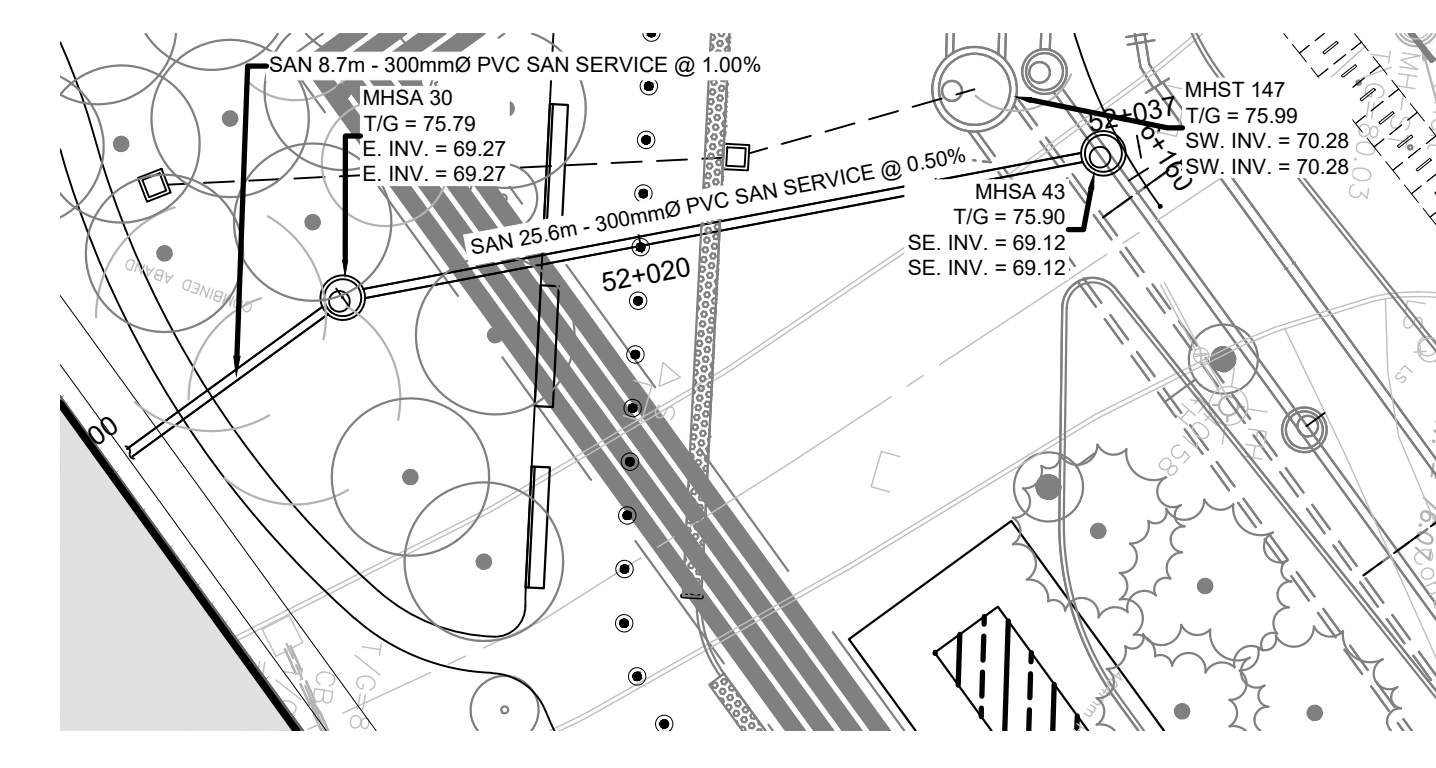
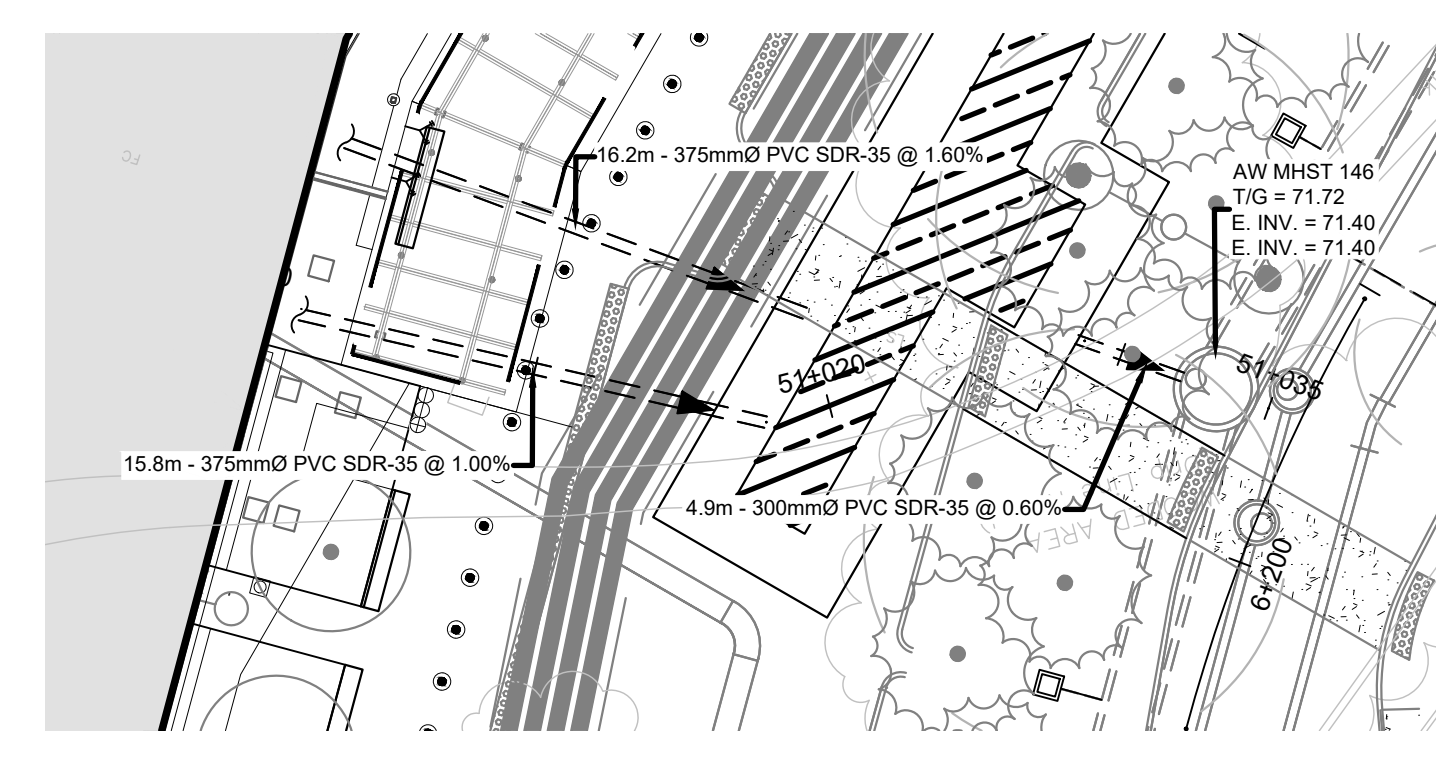
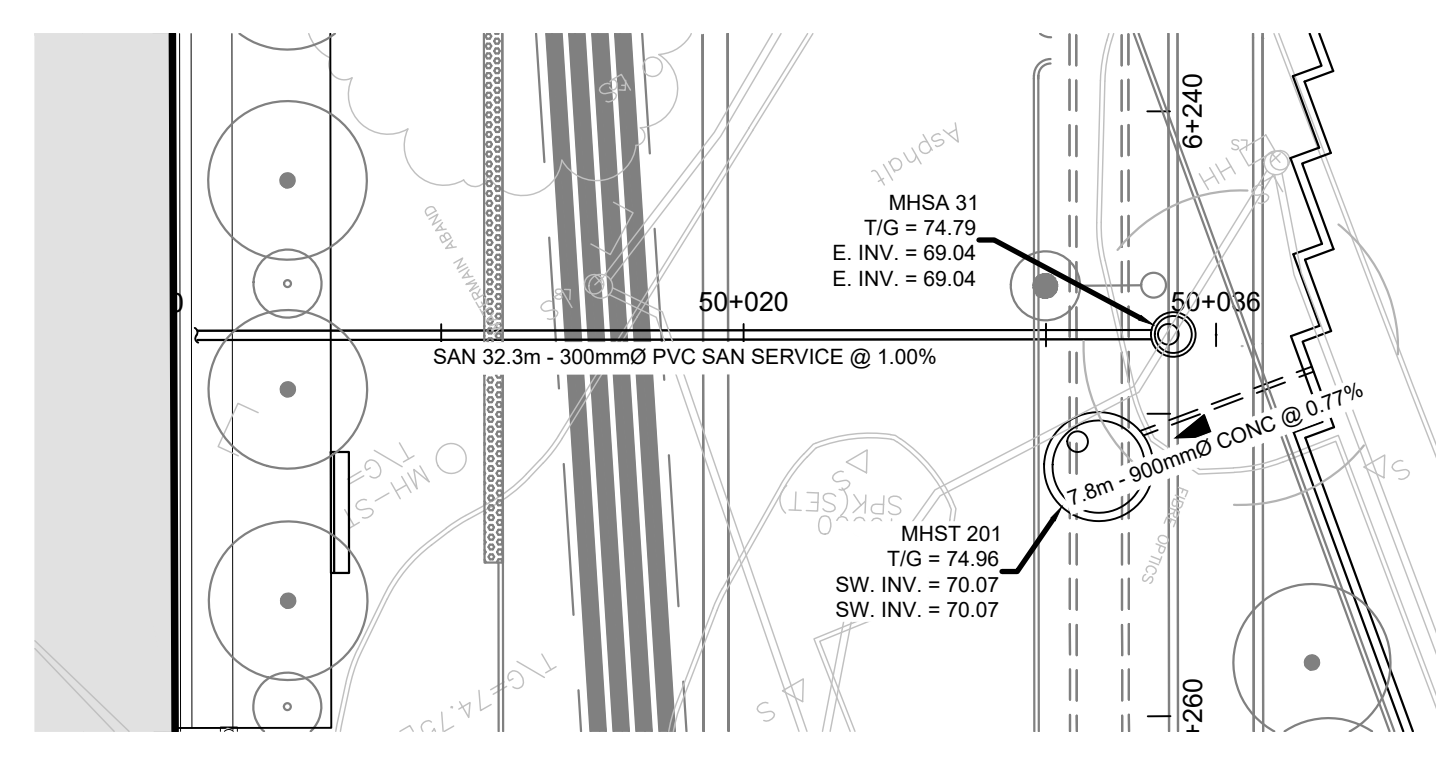


PLOT DATE: 2024-02-28



PROJECT
**THE OTTAWA HOSPITAL
 NEW CAMPUS
 DEVELOPMENT -
 PHASE 4 MAIN HOSPITAL
 BUILDING**
 900 CARLING AVE. OTTAWA, ONTARIO

CLIENT
 The Ottawa Hospital | L'Hôpital d'Ottawa

Infrastructure Ontario

PCL CONSTRUCTION | **EllisDon**

CLIENT PROJECT NO.
 1070002

KEY PLAN
 TRUE NORTH PROJECT NORTH

REVISIONS

04	SITE PLAN CONTROL RESUBMISSION	2028-01-12
03	90% DD SUBMISSION	2025-09-19
02	SITE PLAN CONTROL RESUBMISSION	2025-08-05
01	65% DD SUBMISSION	2025-08-05
NO	ISSUED	DATE

DRAWING STATUS
NOT FOR CONSTRUCTION

DISCREPANCIES MUST BE REPORTED IMMEDIATELY TO THE ARCHITECT BEFORE PROCEEDING. ONLY FIGURED DIMENSIONS ARE TO BE USED. CONTRACTORS MUST CHECK ALL DIMENSIONS ON SITE. THIS DRAWING IS PROTECTED BY COPYRIGHT. ALL DIMENSIONS ARE SHOWN IN METRIC.

AUTHOR

DESIGN TEAM
 DESIGN BUILDER: POLIED A JOINT VENTURE
 ARCHITECTURAL: PARRON ARCHITECTS LIMITED, JUDON LAMARRE PRATTE ARCHITECTS, ADAMSON ASSOCIATES ARCHITECTS, 188 ARCHITECTS OTTAWA INC.
 STRUCTURAL: STEPHENSON ENGINEERING LTD., BOUYGUES PARIS/ALP INC.
 MECHANICAL: HJ ANGLIS & ASSOCIATES LTD., CROSSEY ENGINEERING LTD.
 ELECTRICAL: MULVEY & BANANI INTERNATIONAL INC.
 CIVIL: WSP CANADA INC.
 LANDSCAPE: VERTICES DESIGN INC., PWP LANDSCAPE ARCHITECTURE
 BUILDING CODE: UMCG BUILDING CODE CONSULTANTS LTD.

AUTHOR PROJECT NO.
 CA0027758.0-51

STAMP
 STAMP

DRAWING TITLE
**PLAN AND PROFILES
 1 OF 3**

DRAWN
 L. CURLEY / D. MARATHA

CHECKED
 C. GRAHAM

SCALE AT 4" = 40'
 1:250

DATE
 2024-02-28

GRAPHIC SCALE
 1:250

DRAWING NO.
C1-400

REV. NO.
 04

D07-12-22-0168

#1889