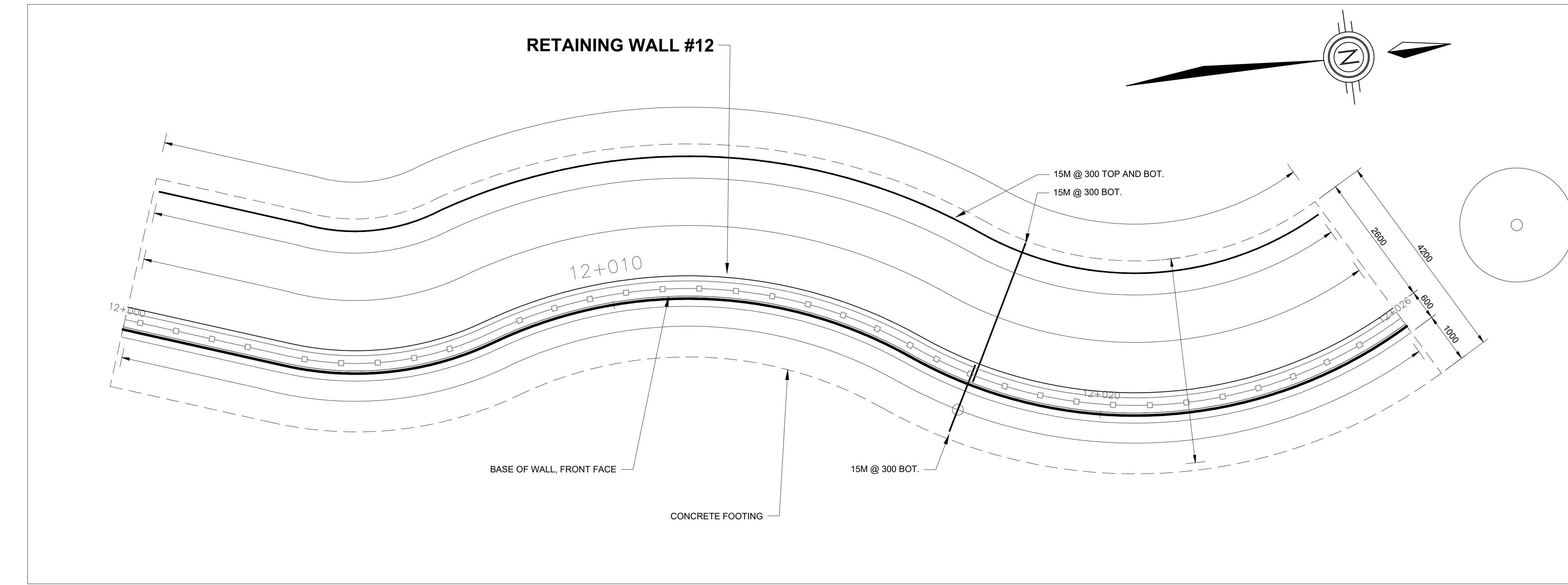
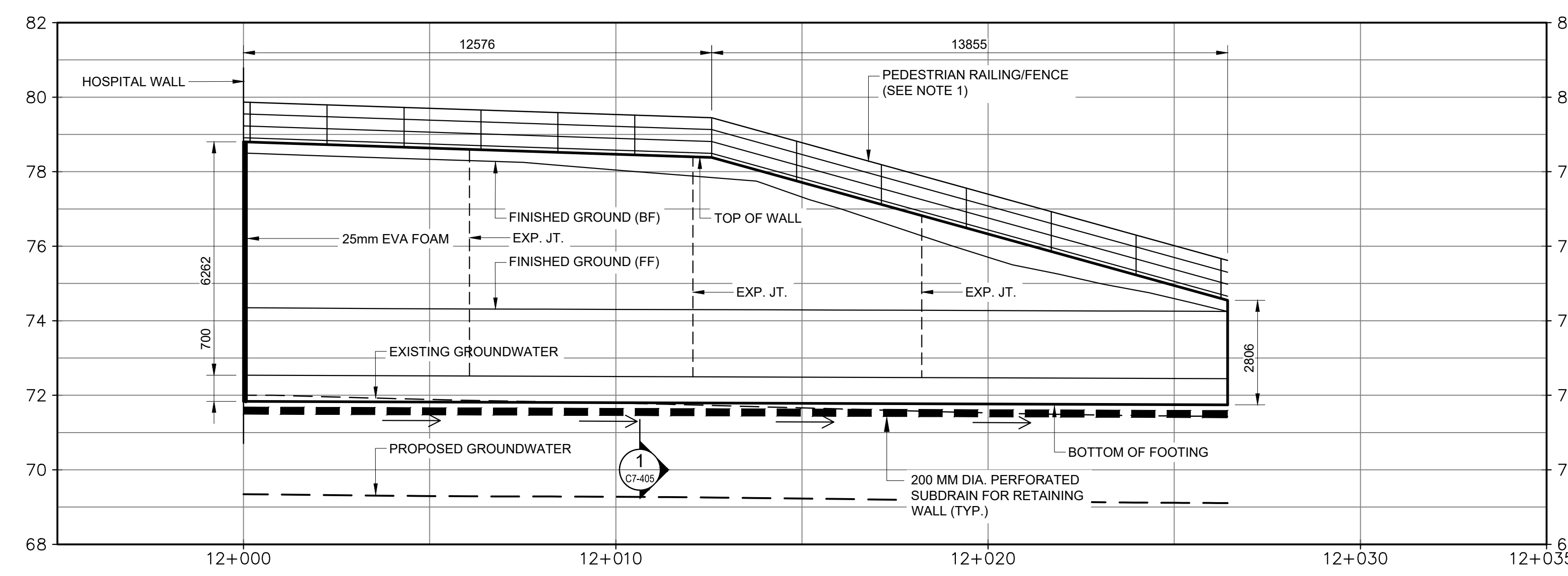


PLAN - RETAINING WALL #12
1:100

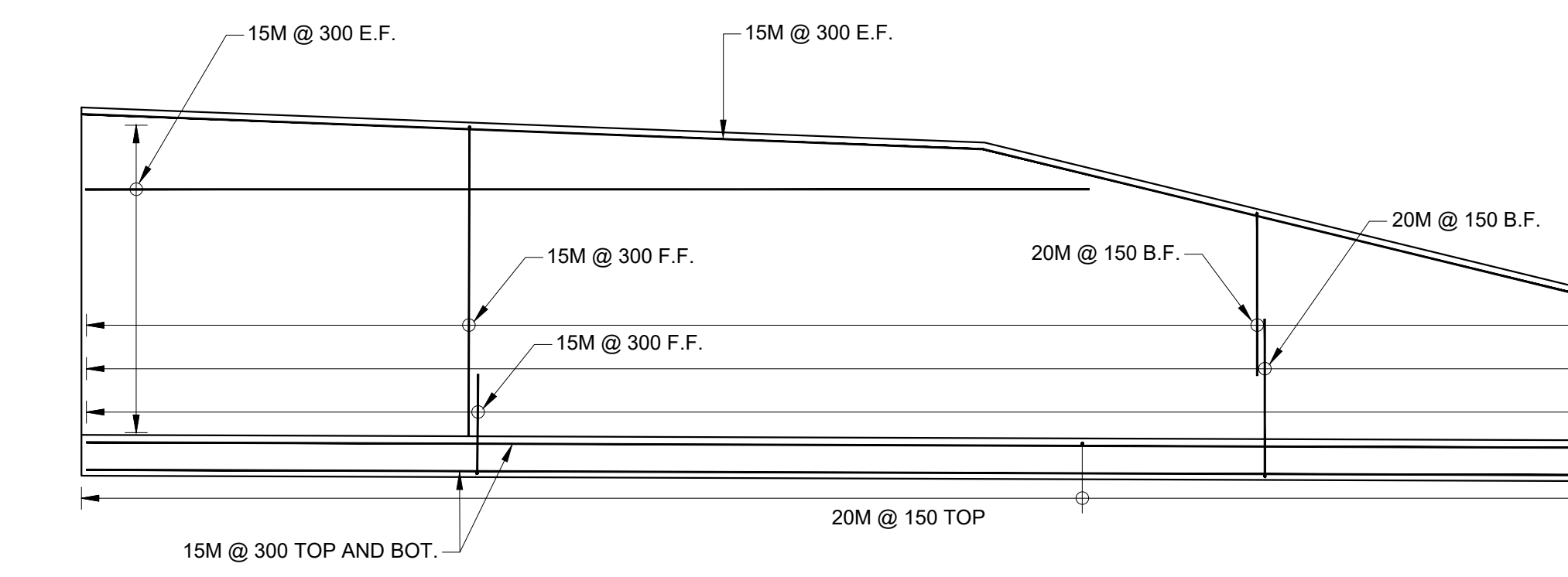


PLAN - RETAINING WALL #12 - REINFORCEMENT
1:50

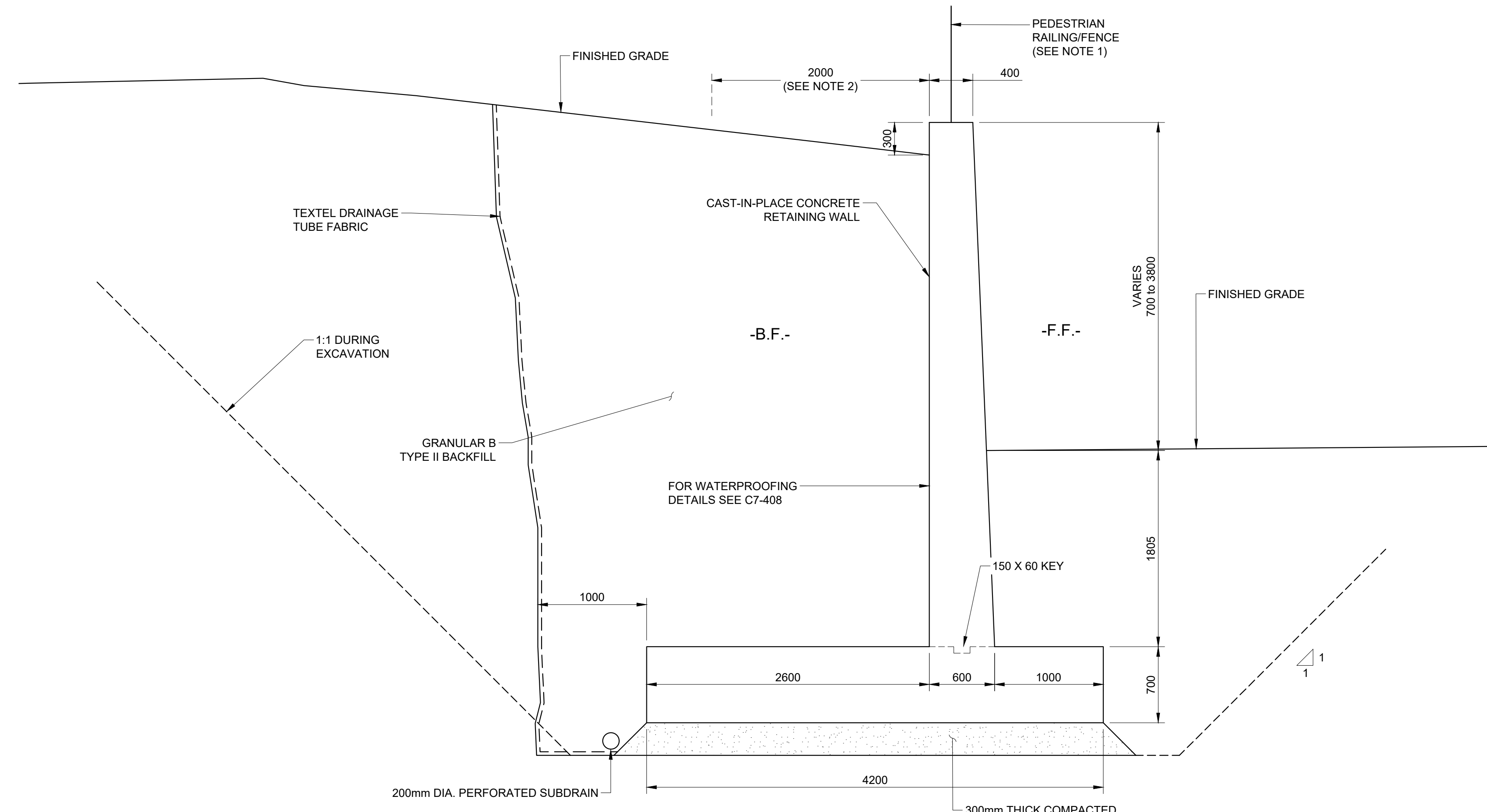


ELEVATION - RETAINING WALL #12
1:100

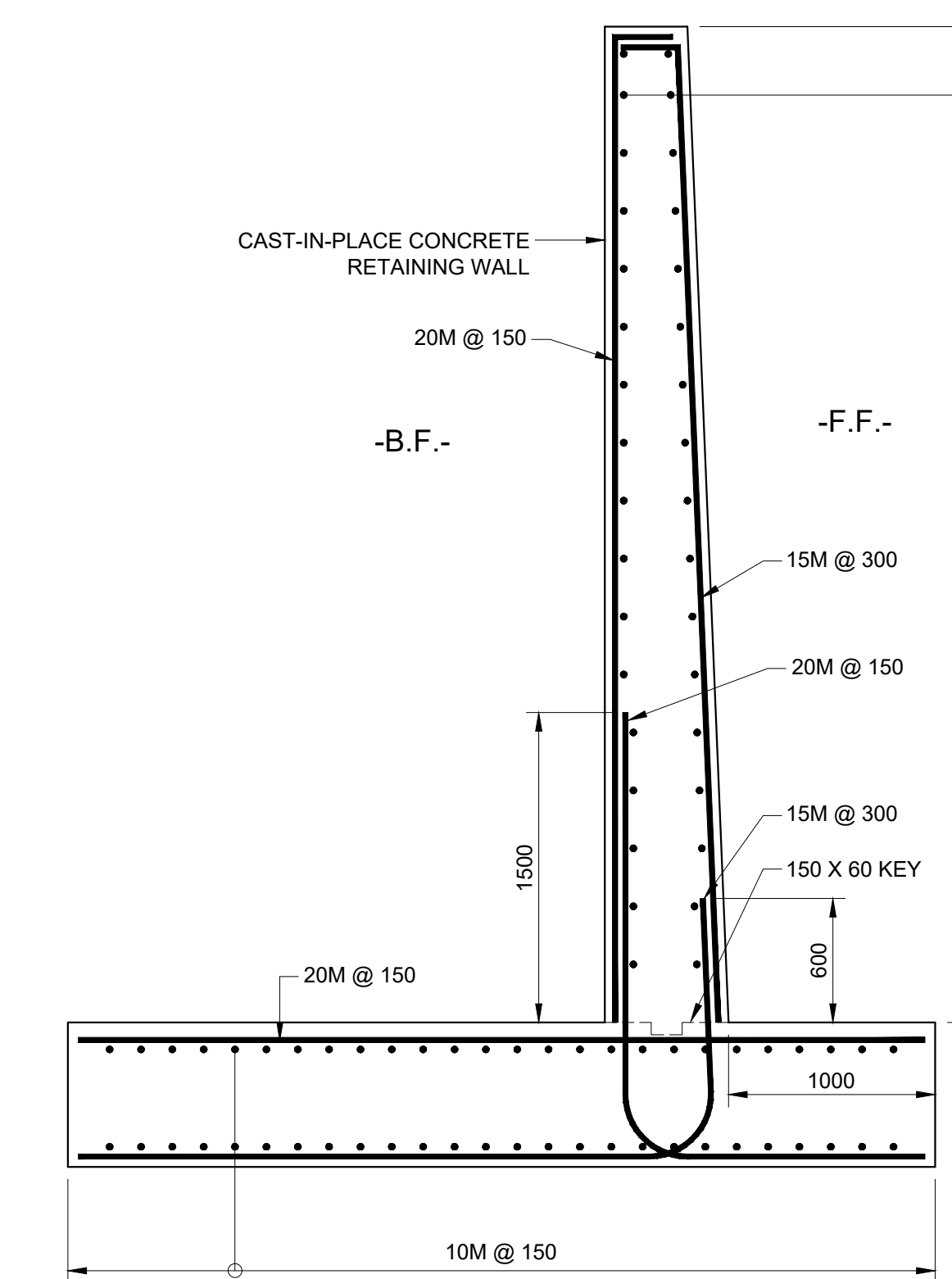
- NOTES
- RAILING AND FENCE DETAILS SHOWN ON DRAWING C7-408.
 - TREE PLANTING BEHIND RETAINING WALLS IS NOT PERMITTED WITHIN 3.0M OF THE BACK OF THE WALL. ROOT CONTROL MEASURES (BARRIERS AND/OR BAGS) SHALL BE USED FOR ALL TREE PLANTINGS IN THE VICINITY OF WALLS.



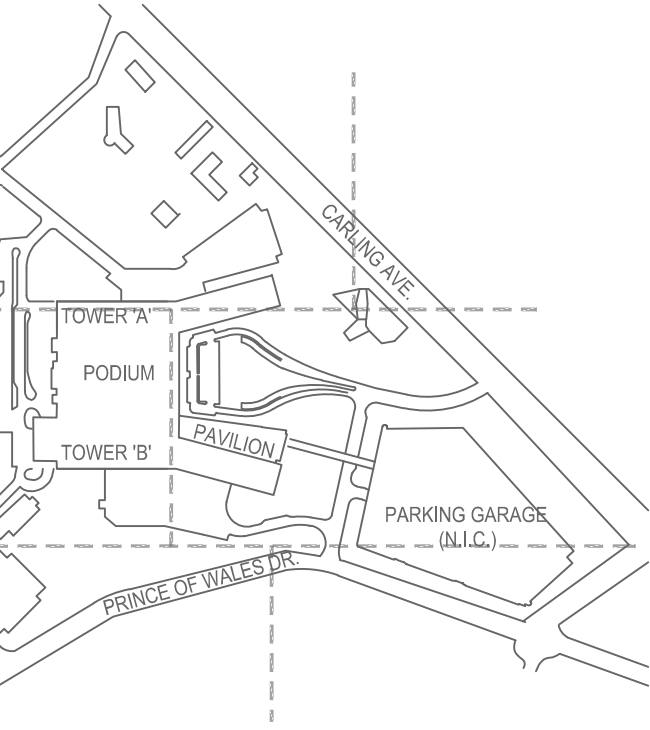
ELEVATION - RETAINING WALL #12 - REINFORCEMENT
1:50



SECTION 1
1:30
C7-405



SECTION - RETAINING WALL #12 - REINFORCEMENT
1:30



NO.	REVISIONS	DATE
07	SITE PLAN CONTROL RESUBMISSION	2024-01-10
06	80% DD SUBMISSION	2023-09-19
05	SITE PLAN CONTROL RESUBMISSION	2023-06-05
04	60% DD SUBMISSION	2023-06-05
03	30% DD SUBMISSION	2023-01-26
02	ISSUES FOR ACP/PPR READINESS	2023-01-26
01	80% SD SUBMISSION	2024-09-15
N/A	ISSUED	DATE

REVISIONS

DRAWING STATUS

NOT FOR CONSTRUCTION

DISCREPANCIES MUST BE REPORTED IMMEDIATELY TO THE ARCHITECT BEFORE PROCEEDING. CONTRACTORS MUST CHECK ALL DIMENSIONS ON SITE. THIS DRAWING IS PROTECTED BY COPYRIGHT. ALL DIMENSIONS ARE SHOWN IN METRIC.



PROJECT TEAM

DESIGN BUILDER: PCL ED. A JOINT VENTURE
 ARCHITECTURAL: PARKIN ARCHITECTS LIMITED, JODIN LAMARIE PRATTE ARCHITECTS, KAWON ASSOCIATE ARCHITECTS, 888 ARCHITECTS OTTAWA INC.
 STRUCTURAL: STEPHENSON ENGINEERING LTD., BOYHELLETTE PARSONS INC.
 MECHANICAL: HJ ANGUS & ASSOCIATES LTD., CROSSEY ENGINEERING LTD.
 ELECTRICAL: MULVEY & BANAN INTERNATIONAL INC.
 CIVIL: WSP CANADA INC.
 LANDSCAPE: VERTEDES DESIGN INC., PIPR LANDSCAPE ARCHITECTURE
 BUILDING CODE: UMDG BUILDING CODE CONSULTANTS LTD.

AUTHOR PROJECT NO. CA0027758.0-51

NAME	STAMP
A. MEUNIER, K. MARTIN	M. THOM

DRAWING TITLE

RETAINING WALL #12

DRAWN: A. MEUNIER, K. MARTIN | CHECKED: M. THOM
 SCALE AT 47' x 69' | DATE: 2024-02-28
 AS SHOWN

GRAPHIC SCALE
 1" = 10' | 1:250

DRAWING NO. **C7-405** | REV NO. **07**