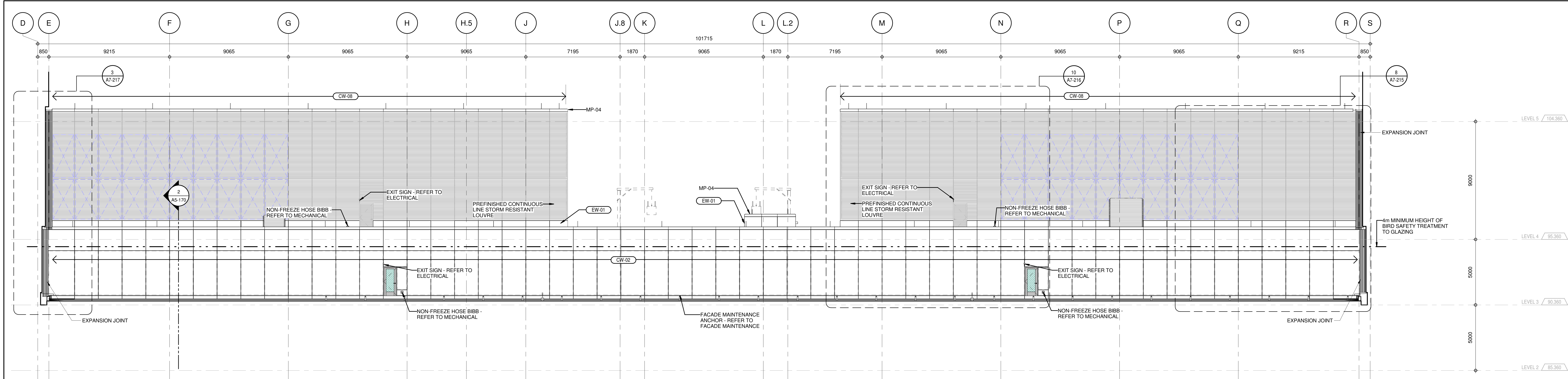
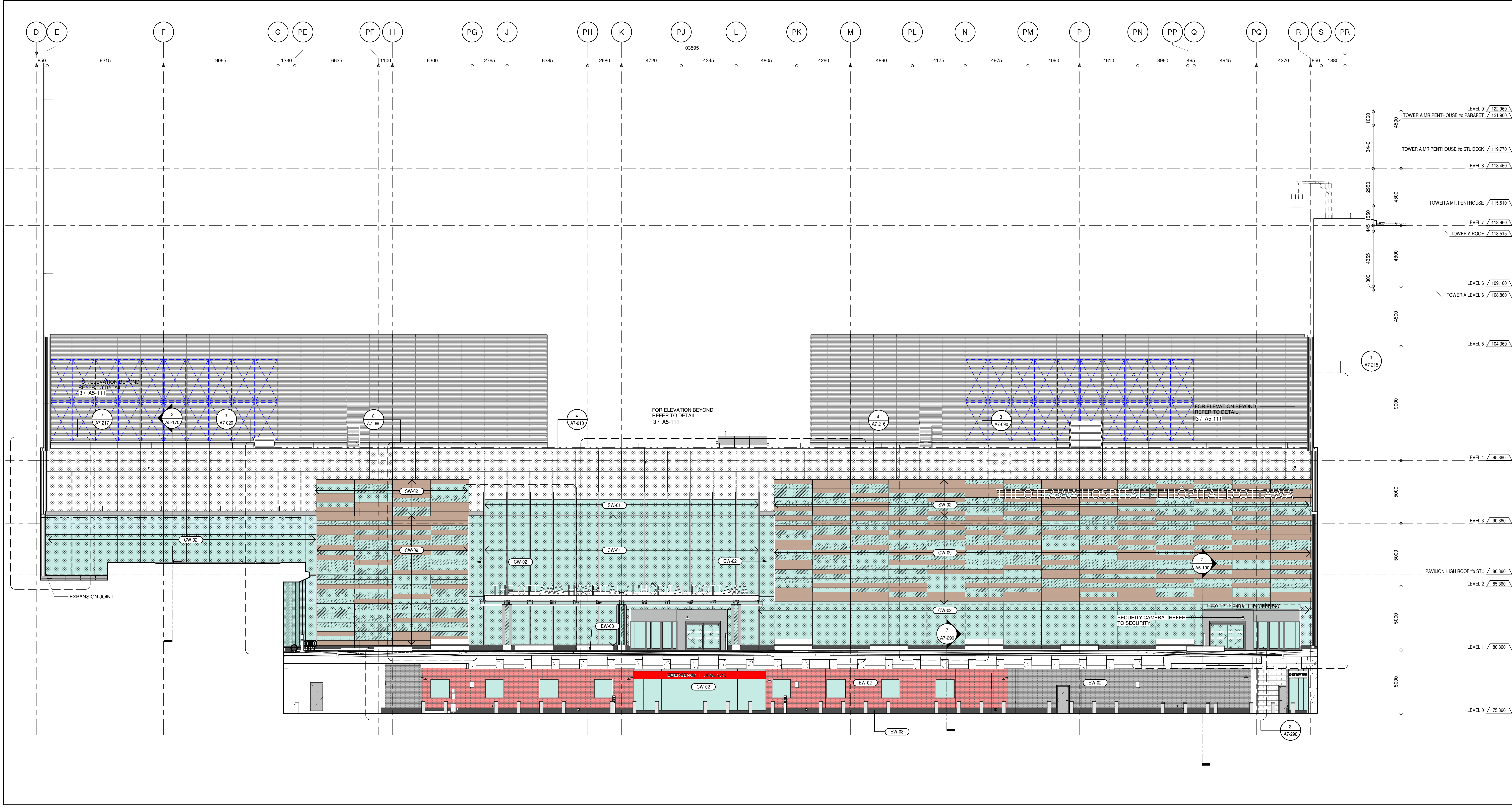


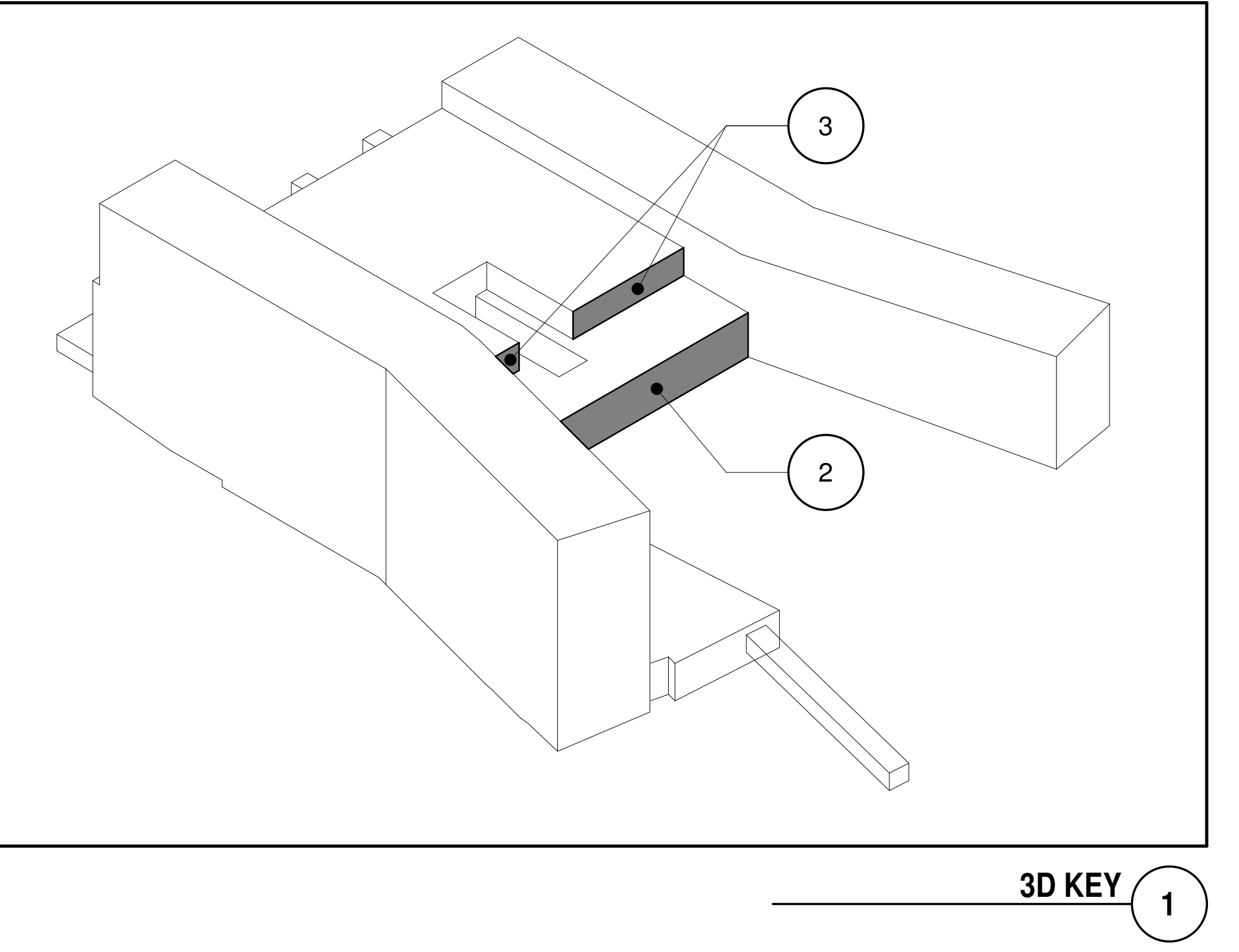
10/16/2024 10:58:15 AM CUSTOMER SHEET SIZE
 PLOT DATE: 2024/09/16 12:50:11 PM



ELEVATION - NORTH TRUE ELEVATION PODIUM LEVEL 03
 A2-102.3
 1:100




ELEVATION - NORTH TRUE ELEVATION PODIUM
 A5-111
 1:100



3D KEY 1

GENERAL NOTES

FOR CLADDING GENERAL NOTES, REFER TO A5-110


SEAN MOORE MCP, RPP
 MANAGER, DEVELOPMENT REVIEW - WEST
 PLANNING, INFRASTRUCTURE & ECONOMIC
 DEVELOPMENT DEPARTMENT, CITY OF OTTAWA

APPROVED
 By Sean Moore at 6:24 pm, Jun 11, 2026

File Number:
 D07-12-26-0008 (Revision)
 D07-12-23-0168 (Original)
 Plan Number: 19424

PROJECT
 THE OTTAWA HOSPITAL
 NEW CAMPUS
 DEVELOPMENT -
 PHASE 4 MAIN HOSPITAL
 BUILDING
 900 CARLING AVE. OTTAWA, ONTARIO

CLIENT
 The Ottawa Hospital | L'Hôpital d'Ottawa

CONSTRUCTION
 Infrastructure Ontario
 PCL
 EllisDon

CLIENT PROJECT NO.
 1070002

KEY PLAN
 TRUE NORTH PROJECT NORTH

REVISIONS

NO.	DESCRIPTION	DATE
03	SITE PLAN CONTROL REGISTRATION RZ	2026-02-07
02	DESIGN BUILD BASELINE SUBMISSION	2026-03-05
01	95% DD SUBMISSION	2025-09-19

DRAWING STATUS
NOT FOR CONSTRUCTION
 DISCREPANCIES MUST BE REPORTED IMMEDIATELY TO THE ARCHITECT BEFORE PROCEEDING. ONLY DIMENSIONS SHOWN ON THIS DRAWING ARE TO BE USED. CONTRACTORS MUST CHECK ALL DIMENSIONS ON SITE. THIS DRAWING IS PROTECTED BY COPYRIGHT.
 ALL DIMENSIONS ARE SHOWN IN METRIC.

AUTHOR
 adamson ASSOCIATES ARCHITECTS
 A Partnership of Corporations

PROJECT TEAM
DESIGN-BUILDER POLIED A JOINT VENTURE
ARCHITECTURAL PARON ARCHITECTS LIMITED
 JOON CHANG RYU ARCHITECTS
 ADAMSON ASSOCIATES ARCHITECTS
 BRN ARCHITECTS OTTAWA INC.
STRUCTURAL SIALO OPEN CANADA INC.
 BOUTHILLETTE PARIZEAU INC.
MECHANICAL HR ANGLUS & ASSOCIATES LTD.
 SIALO OPEN CANADA INC.
ELECTRICAL MELVEY & BROWN INTERNATIONAL INC.
 HSP CANADA INC.
CIVIL
LANDSCAPE VERTICUS DESIGN INC.
 PWP LANDSCAPE ARCHITECTURE

BUILDING CODE UMOG BUILDING CODE CONSULTANTS LTD.
AUTHOR PROJECT NO.
 2233-00

STAMP

DRAWING TITLE
PARTIAL TRUE ELEVATIONS NORTH

DRAWN AAA-PT
CHECKED JM
SCALE AT 42" x 60"
AS NOTED
DATE 19 SEP 2025
GRAPHIC SCALE 1" = 10'-0"

DRAWING NO. A5-111
REV. NO. 03