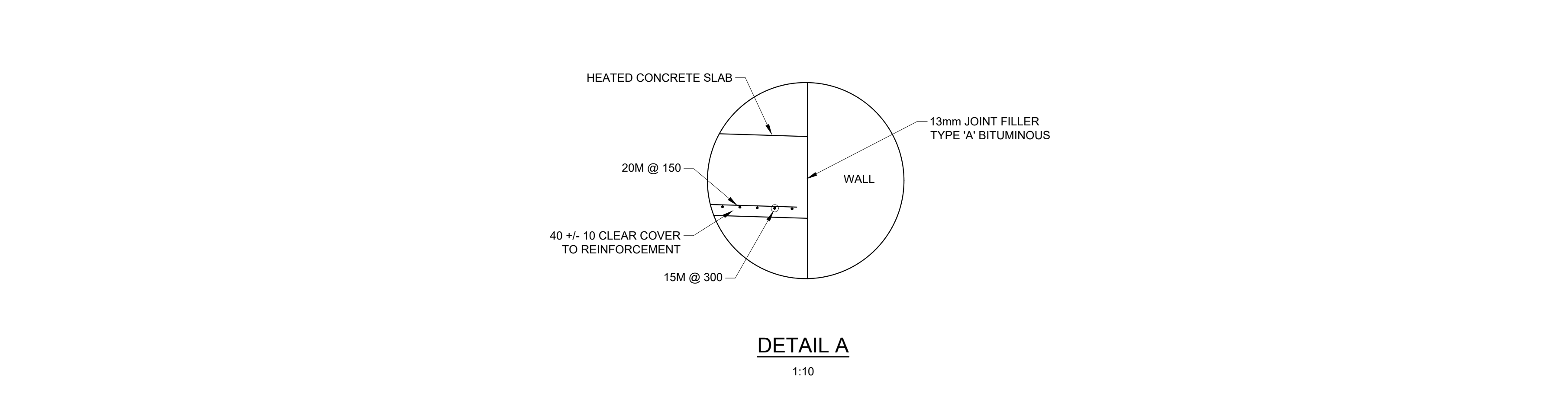
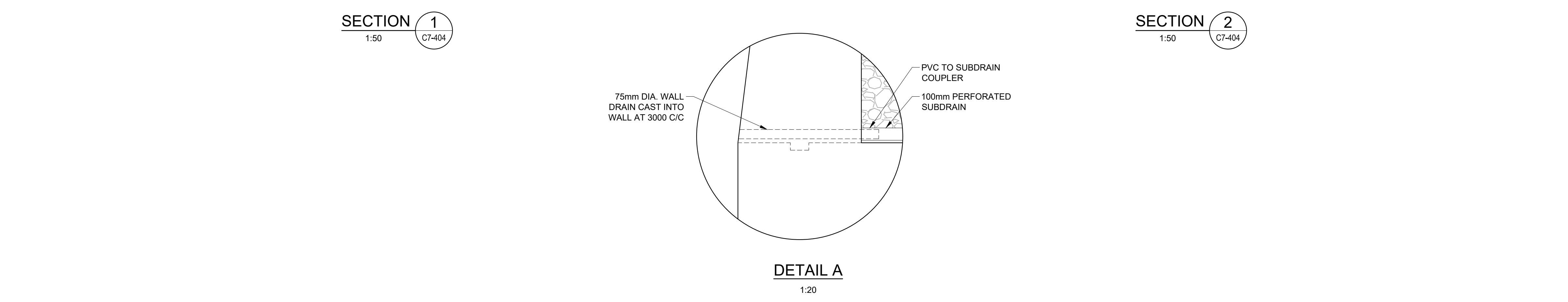
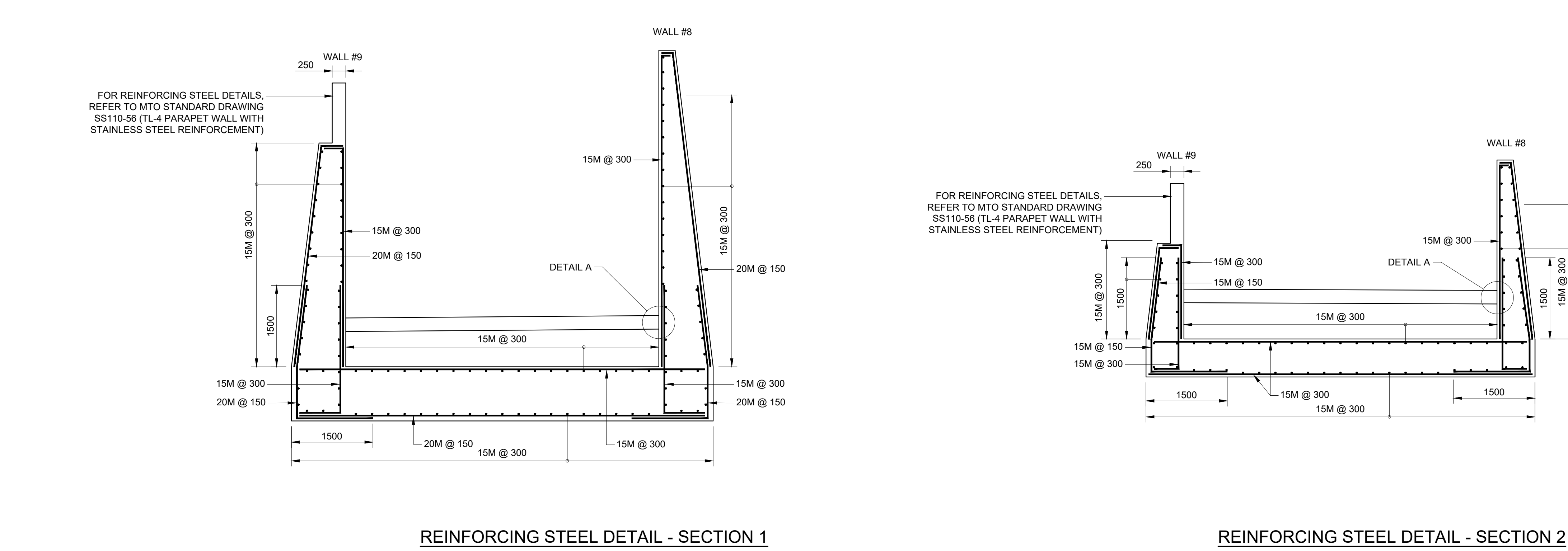
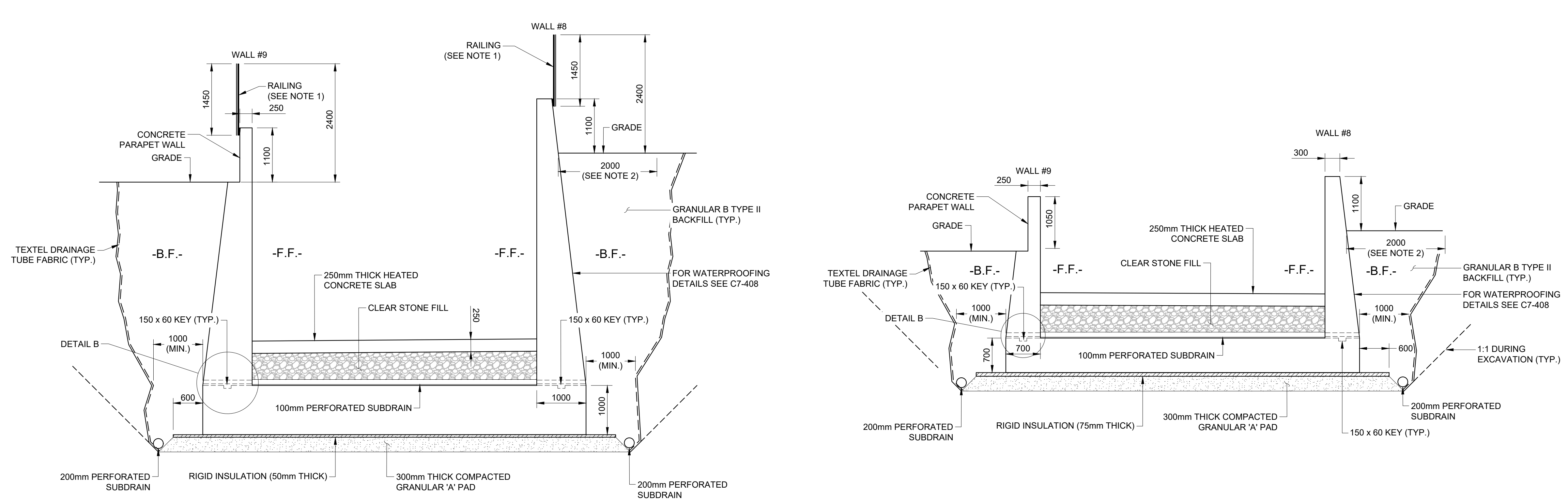
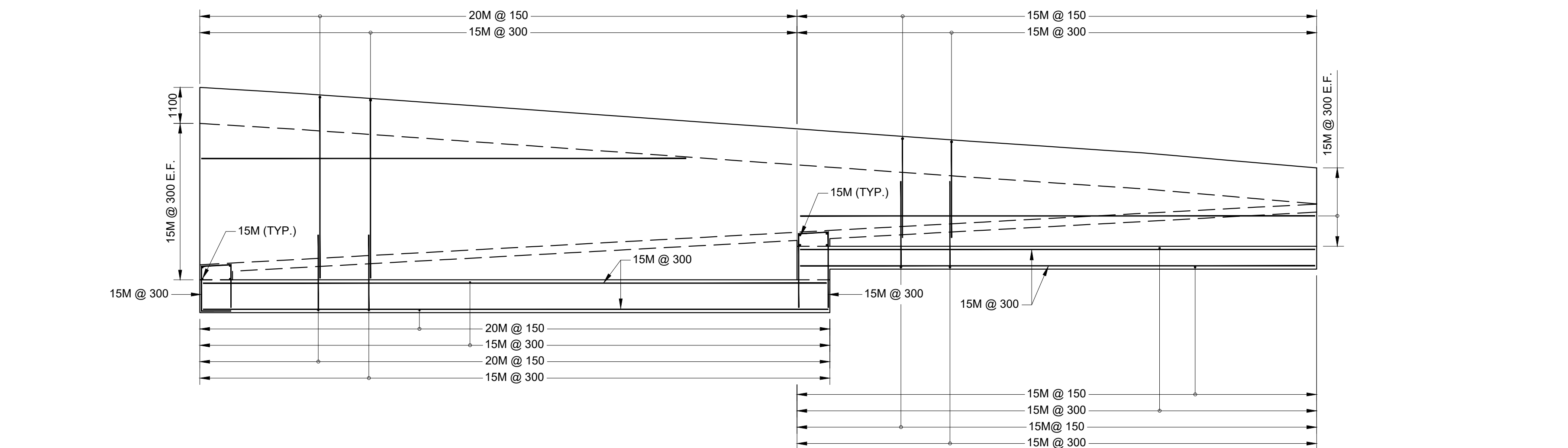


NOTES:

1. STAINLESS STEEL RAILING SHOWN ON DRAWING C7-408.
2. TREE PLANTING BEHIND RETAINING WALLS IS NOT PERMITTED WITHIN 3.0M OF THE BACK OF THE WALL. ROOT CONTROL MEASURES (BARRIERS AND BAGS) SHALL BE USED FOR ALL TREE PLANTINGS IN THE VICINITY OF WALLS.
3. INSULATION DIRECTLY BELOW FOOTING TO CONSIST OF H-60 RIGID INSULATION. INSULATION BEYOND FOOTING FOOTPRINT MAY CONSIST OF 5M RIGID INSULATION.



PROJECT
THE OTTAWA HOSPITAL
NEW CAMPUS
DEVELOPMENT -
PHASE 4 MAIN HOSPITAL
BUILDING

900 CARLING AVE, OTTAWA, ONTARIO

CLIENT
The Ottawa Hospital | L'Hôpital d'Ottawa

CONSTRUCTION
PCL | EllisDon

CLIENT PROJECT NO.
1070002

KEY PLAN
TRUE NORTH | PROJECT NORTH

REVISIONS

NO.	REVISION	DATE
01	ISSUED FOR AWARD	2024-01-26
02	ISSUED FOR AWARD	2024-01-26
03	35% DD SUBMISSION	2024-01-26
04	65% DD SUBMISSION	2024-06-05
05	SITE PLAN CONTROL RESUBMISSION	2025-06-05
06	80% DD SUBMISSION	2025-09-10
07	SITE PLAN CONTROL RESUBMISSION	2026-01-10

DRAWING STATUS
NOT FOR CONSTRUCTION

DISCREPANCIES MUST BE REPORTED IMMEDIATELY TO THE ARCHITECT BEFORE PROCEEDING. CONTRACTORS MUST CHECK ALL DIMENSIONS ON SITE. THIS DRAWING IS PROTECTED BY COPYRIGHT. ALL DIMENSIONS ARE SHOWN IN METRIC.

AUTORS
wsp

PROJECT TEAM
DESIGN BUILDER: POLIED A JOINT VENTURE
ARCHITECTURAL: PARRON ARCHITECTS LIMITED, JOON LAMARIE PRATTE ARCHITECTS, ADAMSON ASSOCIATE ARCHITECTS, 888 ARCHITECTS OTTAWA INC.
STRUCTURAL: STEPHENSON ENGINEERING LTD., BOUQUETTE PARSZAK INC.
MECHANICAL: H.H. ANGUS & ASSOCIATES LTD., CROSSEY ENGINEERING LTD.
ELECTRICAL: MULVEY & BANANI INTERNATIONAL INC.
CIVIL: WSP CANADA INC.
LANDSCAPE: VERTEDES DESIGN INC., PWP LANDSCAPE ARCHITECTURE
BUILDING CODE: LUMID BUILDING CODE CONSULTANTS LTD.

AUTHOR PROJECT NO.
CA0027758.0-51

DRAWING TITLE
RETAINING WALLS #8 & #9

DRAWN
A. MEUNIER, K. MARTIN

CHECKED
M. THOM

SCALE
AS SHOWN

DATE
2024-02-28

GRAPHIC SCALE

DRAWING NO.
C7-404

REV. NO.
07