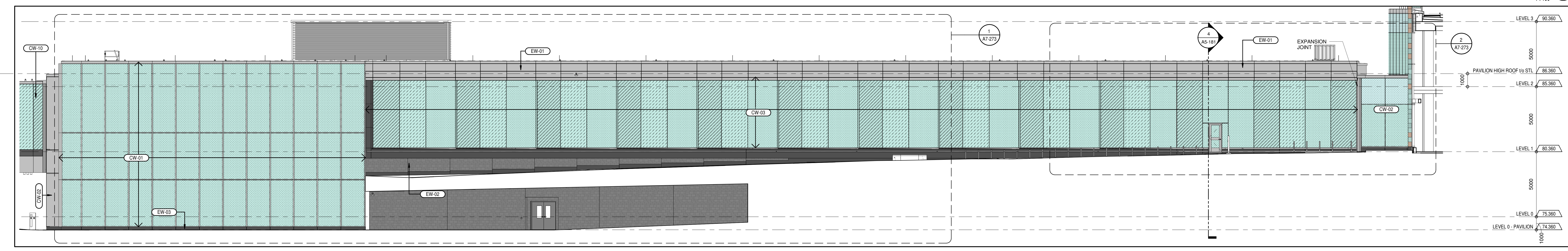


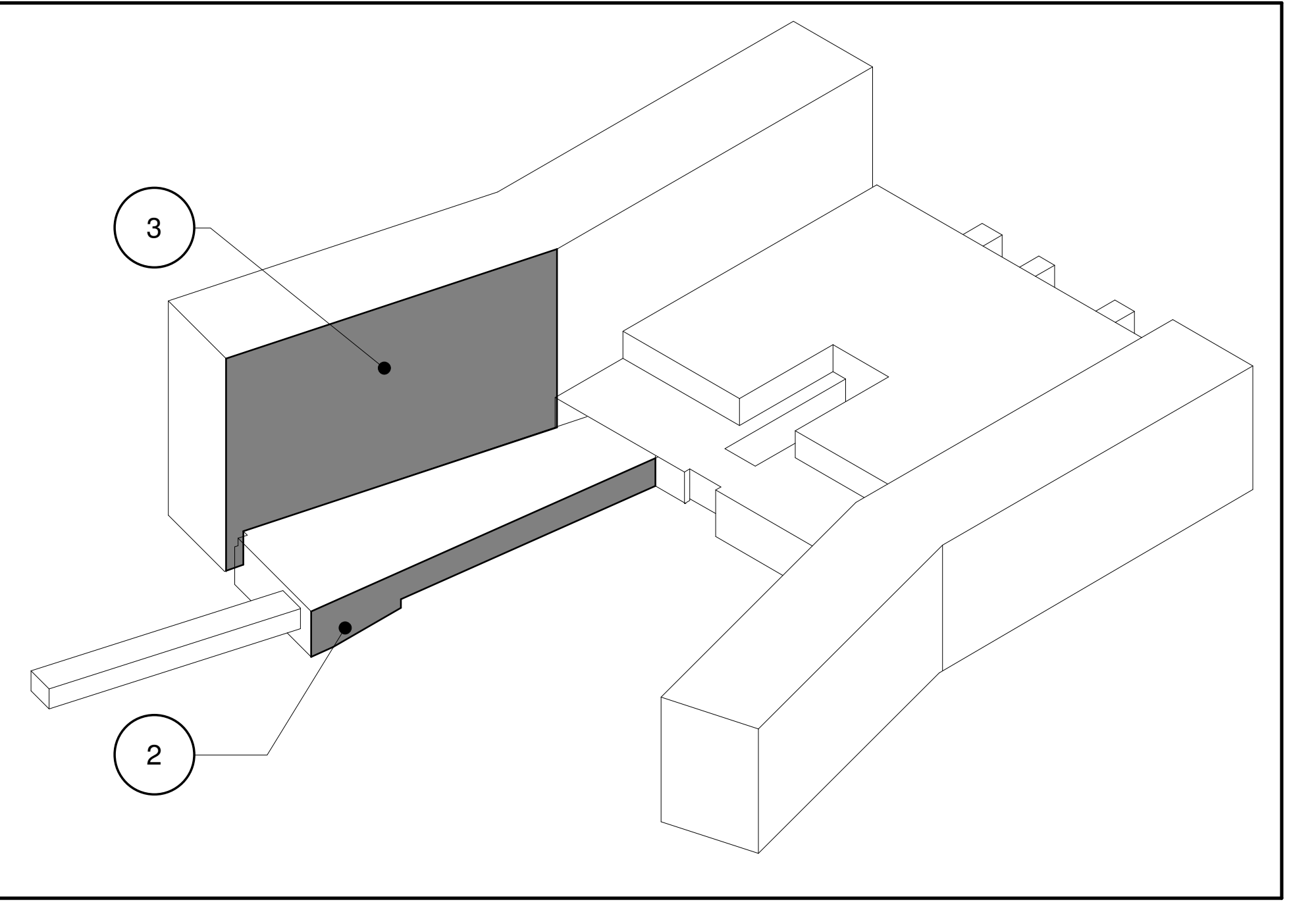
10/16/2025 10:58:13 AM
 10/16/2025 10:58:13 AM
 10/16/2025 10:58:13 AM



ELEVATION - TOWER B WEST TRUE ELEVATION
 AS-1801
 1:100



ELEVATION - PAVILION TRUE ELEVATION
 AS-1802
 1:100



3D KEY 1

GENERAL NOTES
 FOR GLAZING GENERAL NOTES, REFER TO AS-110

PROJECT
 THE OTTAWA HOSPITAL
 NEW CAMPUS
 DEVELOPMENT -
 PHASE 4 MAIN HOSPITAL
 BUILDING
 900 CARLING AVE. OTTAWA, ONTARIO

CLIENT
 The Ottawa Hospital | L'Hôpital d'Ottawa

CONSTRUCTION
 PCL | EllisDon

CLIENT PROJECT NO.
 1070002

KEY PLAN
 TRUE NORTH | PROJECT NORTH

REVISIONS

NO.	DESCRIPTION	DATE
01	01 SITE PLAN CONTROL REVISIONS R2	2020-03-07
02	02 DESIGN BUILD BASELINE SUBMISSION	2020-03-09
03	03 95% DD SUBMISSION	2020-09-10
04	04 100% DD SUBMISSION	2020-09-10

DRAWING STATUS
NOT FOR CONSTRUCTION

DISCREPANCIES MUST BE REPORTED IMMEDIATELY TO THE ARCHITECT BEFORE PROCEEDING. ONLY PLOTTED DIMENSIONS ARE TO BE USED. CONTRACTORS MUST CHECK ALL DIMENSIONS ON SITE. THIS DRAWING IS PROTECTED BY COPYRIGHT.

ALL DIMENSIONS ARE SHOWN IN METRIC.

AUTHOR
 adamson ASSOCIATES ARCHITECTS
 A Partnership of Corporations

PROJECT TEAM
DESIGN-BUILDER POLIED A JOINT VENTURE
ARCHITECTURAL PARON ARCHITECTS LIMITED, JODCH LAMARIE PRATTE ARCHITECTS, ADAMSON ASSOCIATES ARCHITECTS, B&B ARCHITECTS OTTAWA INC., SIKAS OPEN CANADA INC., BOUTHELLETTE PARIZEAU INC.
STRUCTURAL SIKAS OPEN CANADA INC., BOUTHELLETTE PARIZEAU INC.
MECHANICAL H&I ANGUS & ASSOCIATES LTD., SIKAS OPEN CANADA INC.
ELECTRICAL MELVEY & BROWN INTERNATIONAL INC., H&I ANGUS & ASSOCIATES LTD.
CIVIL H&I ANGUS & ASSOCIATES LTD.
LANDSCAPE VERDECO DESIGN INC., P&P LANDSCAPE ARCHITECTURE

BUILDING CODE UMO BUILDING CODE CONSULTANTS LTD.
AUTHOR PROJECT NO. 2233-00

STAMP
 STAMP | STAMP

DRAWING TITLE
PARTIAL TRUE ELEVATIONS TOWER B AND PAVILION WEST

DRAWN AAA-PT | **CHECKED** JM
SCALE AT 4" x 6" | **DATE** 19 SEP 2025
AS NOTED
GRAPHIC SCALE 1:100 | **SCALE IN METERS**

File Number: D07-12-26-0008 (Revision)
D07-12-23-0168 (Original)
Plan Number: 19424

DRAWING NO. AS-161 | **REV. NO.** 03