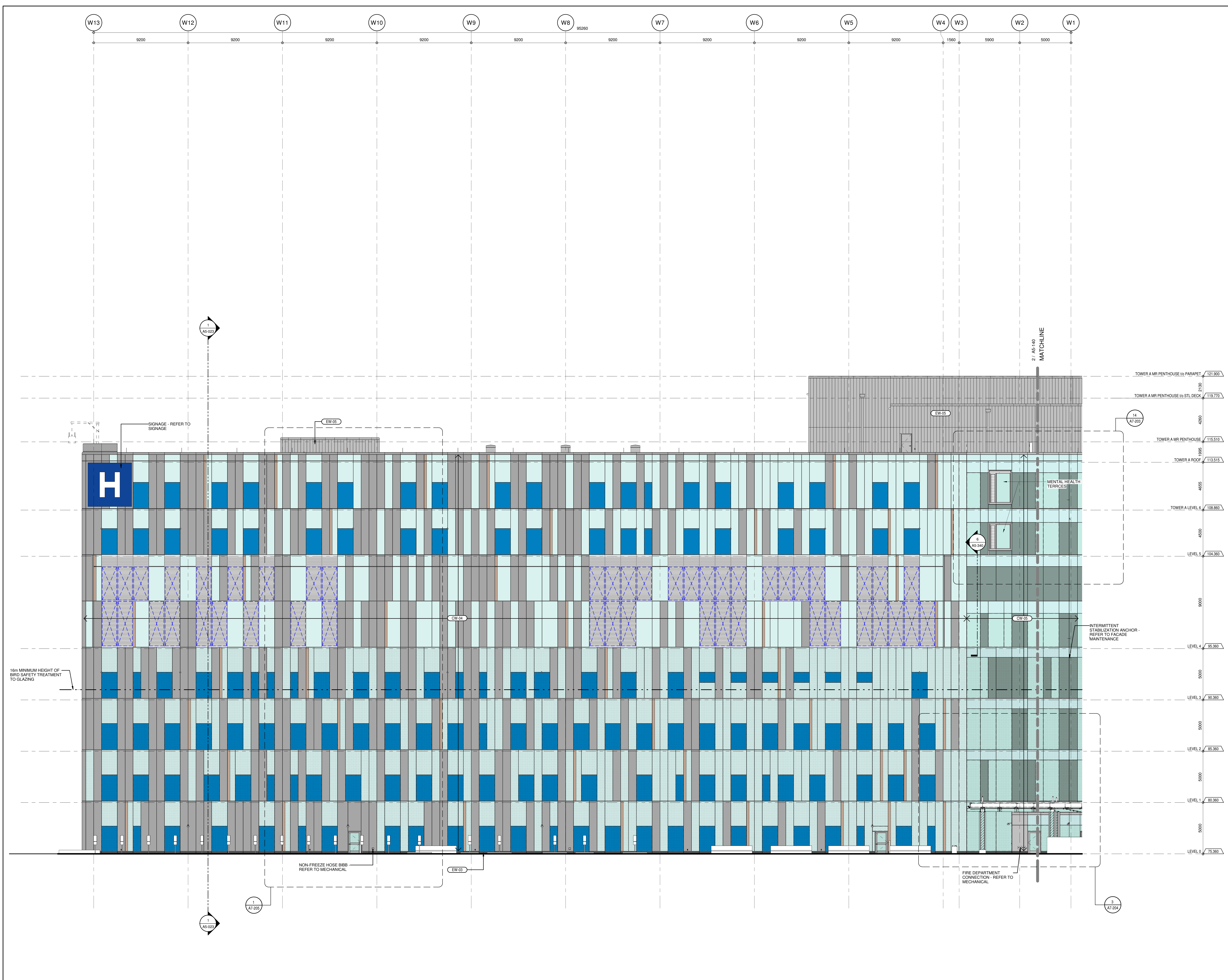
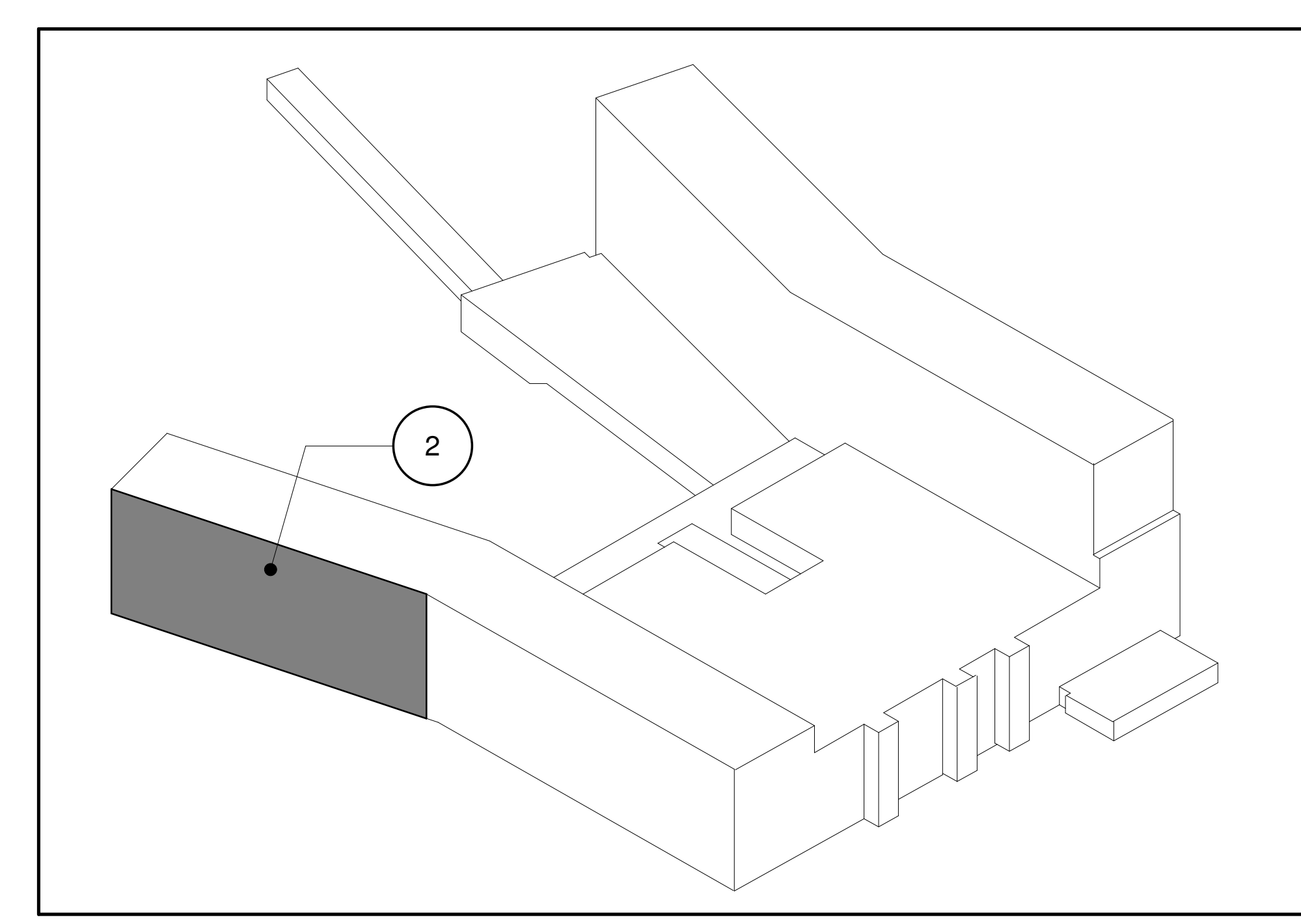


10/16/2025 10:58:18 AM 10/16/2025 10:58:18 AM
 10/16/2025 10:58:18 AM 10/16/2025 10:58:18 AM



ELEVATION - WEST TRUE ELEVATION TOWER A
 AS-1002
 1:100



3D KEY 1

GENERAL NOTES
 FOR CLADDING GENERAL NOTES, REFER TO AS-110

PROJECT
 THE OTTAWA HOSPITAL
 NEW CAMPUS
 DEVELOPMENT -
 PHASE 4 MAIN HOSPITAL
 BUILDING
 900 CARLING AVE. OTTAWA, ONTARIO

CLIENT
 The Ottawa Hospital | L'Hôpital d'Ottawa

Infrastructure Ontario

PCL CONSTRUCTION | **EllisDon**

CLIENT PROJECT NO.
 1070002

KEY PLAN
 TRUE NORTH | PROJECT NORTH

REVISIONS

NO.	DESCRIPTION	DATE
01	ISSUE FOR PERMIT	2024-03-01
02	DESIGN BUILD BASELINE SUBMISSION	2024-03-05
03	95% DD SUBMISSION	2025-09-10
04	ISSUED	

NOT FOR CONSTRUCTION
 DISCREPANCIES MUST BE REPORTED IMMEDIATELY TO THE ARCHITECT BEFORE PROCEEDING. ONLY DIMENSIONS SHOWN ON THIS DRAWING ARE TO BE USED. CONTRACTORS MUST CHECK ALL DIMENSIONS ON SITE. THIS DRAWING IS PROTECTED BY COPYRIGHT.
 ALL DIMENSIONS ARE SHOWN IN METRIC.

AUTHOR
 adamson ASSOCIATES ARCHITECTS
 A Partnership of Corporations

PROJECT TEAM
DESIGN-BUILDER POLVED A JOINT VENTURE
ARCHITECTURAL PARON ARCHITECTS LIMITED, JOSHUA LAMARIE PRATTE ARCHITECTS, ADAMSON ASSOCIATES ARCHITECTS, 888 ARCHITECTS OTTAWA INC., SIKAS OPEN CANADA INC., BOUTHELLETTE PARIZEAU INC.
STRUCTURAL SIKAS OPEN CANADA INC., BOUTHELLETTE PARIZEAU INC.
MECHANICAL HH ANGUS & ASSOCIATES LTD., SIKAS OPEN CANADA INC.
ELECTRICAL MELVEY SIMAN INTERNATIONAL INC., WSP SIMON INC.
CIVIL WSP SIMON INC.
LANDSCAPE VERDECO DESIGN INC., PWP LANDSCAPE ARCHITECTURE
BUILDING CODE UMOG BUILDING CODE CONSULTANTS LTD.
AUTHOR PROJECT NO. 2233-00

STAMP

DRAWING TITLE
 PARTIAL TRUE ELEVATIONS WEST

DRAWN	CHECKED
AAA-PT	JM

SCALE AT 4" x 6" | **DATE** 19 SEP 2025
 AS NOTED

GRAPHIC SCALE | **SCALE IN METERS**

DRAWING NO. A5-141 | **REV. NO.** 03

File Number: D07-12-26-0008 (Revision)
 D07-12-23-0168 (Original)
 Plan Number: 19424