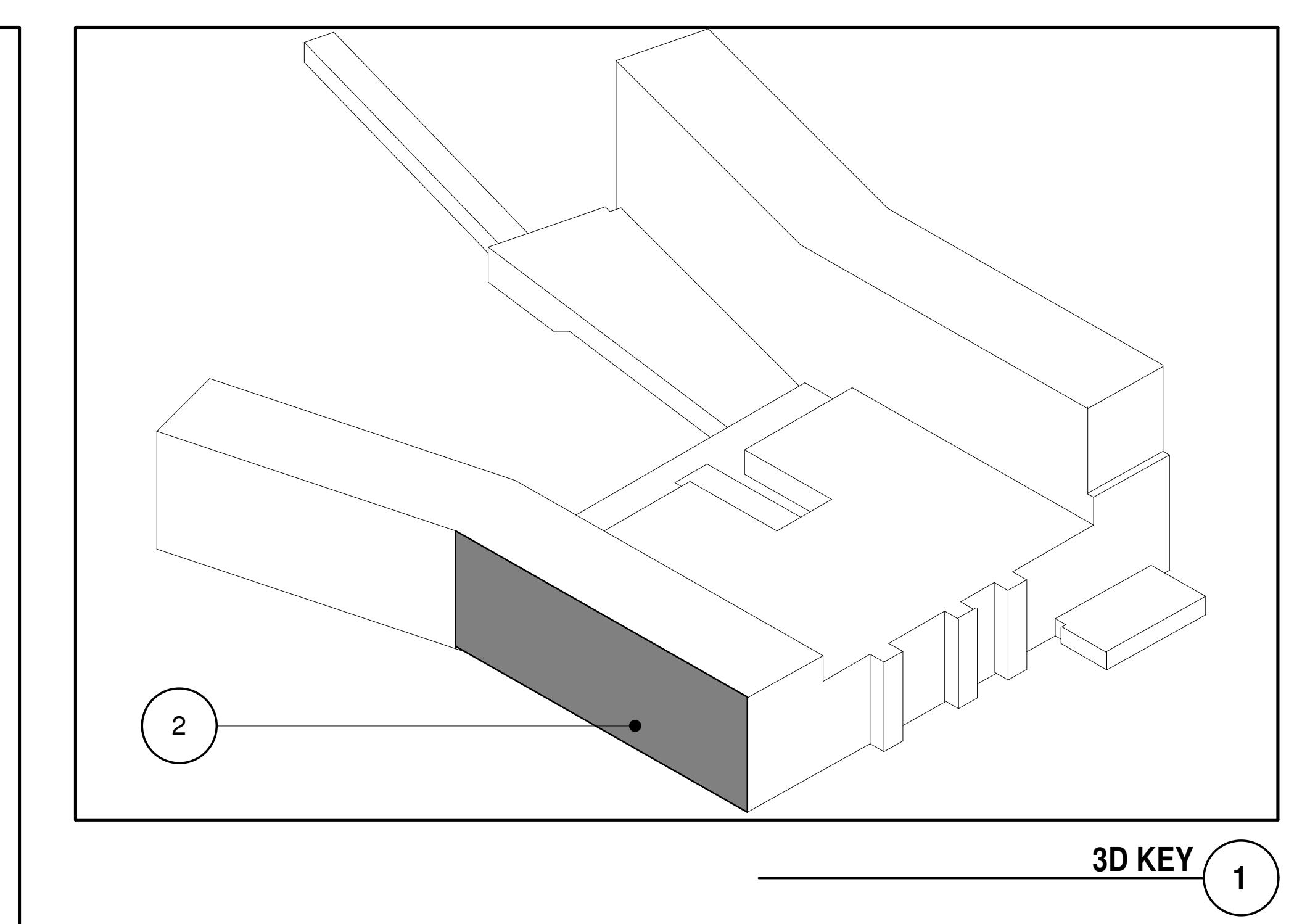
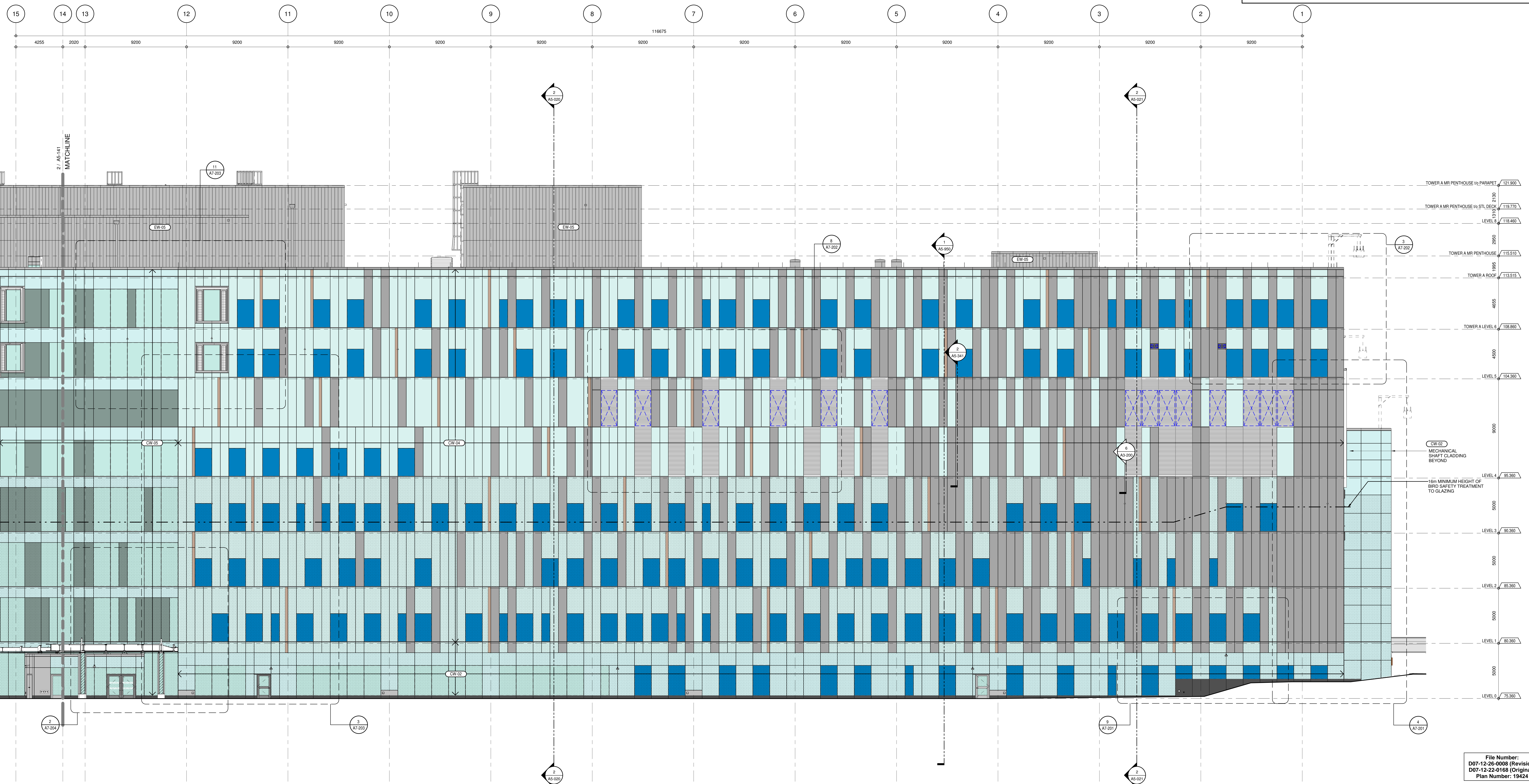


PLOT DATE: 2025/09/19 10:58 AM



File Number:
D07-12-26-0008 (Revision)
D07-12-22-0168 (Original)
Plan Number: 19424

GENERAL NOTES
FOR CLADDING GENERAL NOTES, REFER TO A5-110

ELEVATION - WEST TRUE ELEVATION TOWER A
AS NOTED
1:100

PROJECT
THE OTTAWA HOSPITAL
NEW CAMPUS
DEVELOPMENT -
PHASE 4 MAIN HOSPITAL
BUILDING
900 CARLING AVE. OTTAWA, ONTARIO

CLIENT
The Ottawa Hospital | L'Hôpital d'Ottawa

Infrastructure Ontario

PCL CONSTRUCTION | **EllisDon**

CLIENT PROJECT NO.
1070002

KEY PLAN
TRUE NORTH | PROJECT NORTH

REVISIONS

| NO. | DESCRIPTION | DATE |
|-----|----------------------------------|------------|
| 03 | SITE PLAN CONTROL REVISION | 2020-02-07 |
| 02 | DESIGN BUILD BASELINE SUBMISSION | 2020-03-05 |
| 01 | 95% DD SUBMISSION | 2020-09-10 |

NOT FOR CONSTRUCTION
DISCREPANCIES MUST BE REPORTED IMMEDIATELY TO THE ARCHITECT BEFORE PROCEEDING. ONLY DIMENSIONS SHOWN ON THIS DRAWING ARE TO BE USED. CONTRACTORS MUST CHECK ALL DIMENSIONS ON SITE. THIS DRAWING IS PROTECTED BY COPYRIGHT.
ALL DIMENSIONS ARE SHOWN IN METRIC.

AUTHOR
adamson ASSOCIATES ARCHITECTS
A Partnership of Corporations

PROJECT TEAM
DESIGN-BUILDER PARION A JOINT VENTURE
ARCHITECTURAL PARION ARCHITECTS LIMITED, JOSHUA LAMARIE PRATTE ARCHITECTS, ADAMSON ASSOCIATES ARCHITECTS, 880 ARCHITECTS OTTAWA INC.
STRUCTURAL SIKAS OPEN CANADA INC., BOUTHILLETTE PARISEAU INC.
MECHANICAL HX ANGUS & ASSOCIATES LTD., SIKAS OPEN CANADA INC.
ELECTRICAL MELVEY & BROWN INTERNATIONAL INC.
CIVIL WSP | PARSONS INC.
LANDSCAPE VERDECO DESIGN INC., PWP LANDSCAPE ARCHITECTURE
BUILDING CODE UMO BUILDING CODE CONSULTANTS LTD.
AUTHOR PROJECT NO. 2233-00

STAMP

DRAWING TITLE
PARTIAL TRUE ELEVATIONS WEST

| DRAWN | CHECKED |
|--------|---------|
| AAA-PT | JM |

SCALE AT 42" x 60" | DATE 19 SEP 2025
AS NOTED

DRAWING NO. A5-140 | **REV. NO.** 03