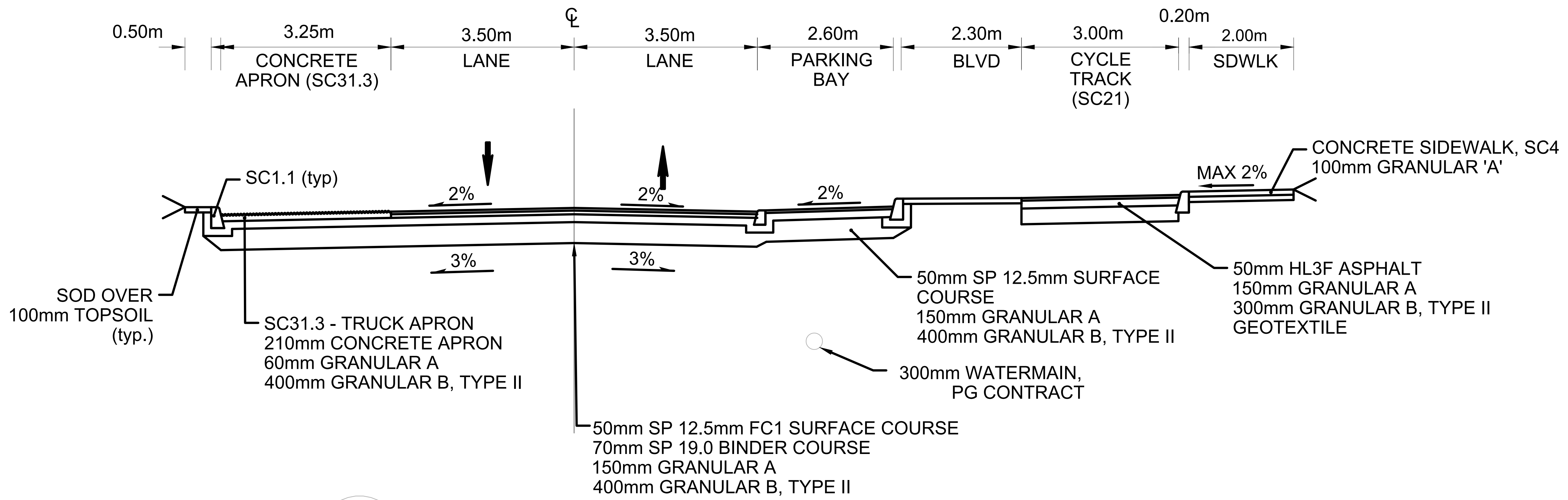
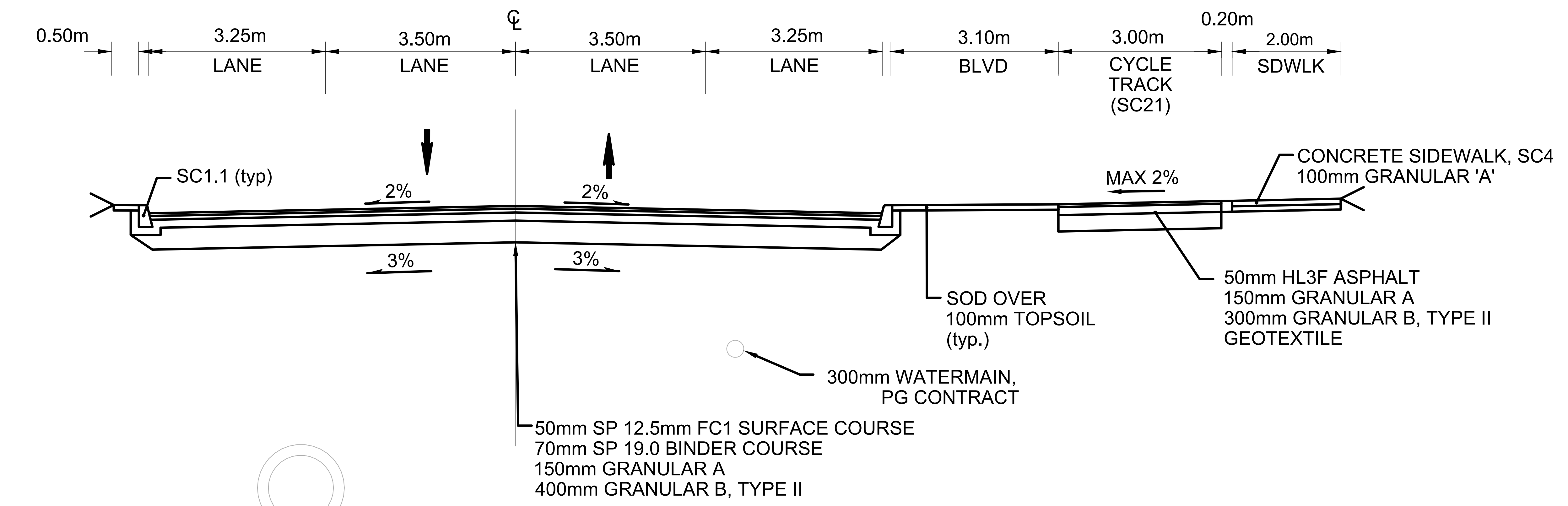


ROAD A SECTION



ROAD B SECTION W/ PARKING BAY



ROAD B SECTION W/ AUXILIARY LANES

**PROJECT**  
**THE OTTAWA HOSPITAL  
 NEW CAMPUS  
 DEVELOPMENT -  
 PHASE 4 MAIN HOSPITAL  
 BUILDING**  
 900 CARLING AVE, OTTAWA, ONTARIO

**CLIENT**  
 The Ottawa Hospital | L'Hôpital d'Ottawa

**CONSTRUCTION**  
 PCL CONSTRUCTION | EllisDon

**CLIENT PROJECT NO.**  
 1070002

**KEY PLAN**  
 TRUE NORTH | PROJECT NORTH

NO.	DESCRIPTION	DATE
00	SITE PLAN CONTROL, RESUBMISSION R2	2026-03-27
01	DESIGN BUILD BASELINE SUBMISSION	2026-03-05
02	FOUNDATION PERMIT SUBMISSION	2026-01-12
03	SITE PLAN CONTROL, RESUBMISSION	2026-01-12
04	20% DO SUBMISSION	2025-08-19
05	SITE PLAN CONTROL, RESUBMISSION	2025-08-05
06	45% DO SUBMISSION	2025-06-25
07	30% DO SUBMISSION	2025-01-29
08	ISSUED FOR ACQUISITION READINESS	2025-01-01
09	REVISED	DATE

**NOT FOR CONSTRUCTION**  
 DISCREPANCIES MUST BE REPORTED IMMEDIATELY TO THE ARCHITECT BEFORE PROCEEDING. ONLY FIGURED DIMENSIONS ARE TO BE USED. CONTRACTORS MUST CHECK ALL DIMENSIONS ON SITE. THIS DRAWING IS PROTECTED BY COPYRIGHT.  
 ALL DIMENSIONS ARE SHOWN IN METRIC.

**AUTHOR**

**PROJECT TEAM**  
**DESIGN BUILDER** POLIED, A JOINT VENTURE  
**ARCHITECTURAL** PARRON ARCHITECTS LIMITED, JORDAN LAMARIE PRATTE ARCHITECTS, ADAMSON ASSOCIATES ARCHITECTS, BBS ARCHITECTS OTTAWA INC., SALAS OPENEN CANADA INC., BOUTHELLETT FARGEAU INC.  
**STRUCTURAL** SALAS OPENEN CANADA INC., BOUTHELLETT FARGEAU INC.  
**MECHANICAL** HH ANGLUS & ASSOCIATES LTD., SALAS OPENEN CANADA INC.  
**ELECTRICAL** HEEVEY & BARNETT INTERNATIONAL INC., HEP CANADA INC.  
**CIVIL** HEP CANADA INC.  
**LANDSCAPE** VERTICOS DESIGN INC., PWP LANDSCAPE ARCHITECTURE  
**BUILDING CODE** LMGG BUILDING CODE CONSULTANTS LTD.  
 AUTHOR PROJECT NO. **CA0027758.0-51**

**STAMP**

**DRAWING TITLE**  
**TYPICAL SECTIONS**  
 1 OF 2

<b>DRAWN</b> M. HUNDERMARK	<b>CHECKED</b> C. GRAHAM
<b>SCALE</b> AT 4" = 6"	<b>DATE</b> 2024-02-26
<b>GRAPHIC SCALE</b> N.T.S.	<b>REV. NO.</b> 09
<b>DRAWING NO.</b> T7-701	<b>FILE NO.</b> 09

File Number: D07-12-26-0008 (Revision)  
 D07-12-23-0168 (Original)  
 Plan Number: 19424