


1:100 DATE: 2025-09-19 10:58:18 AM

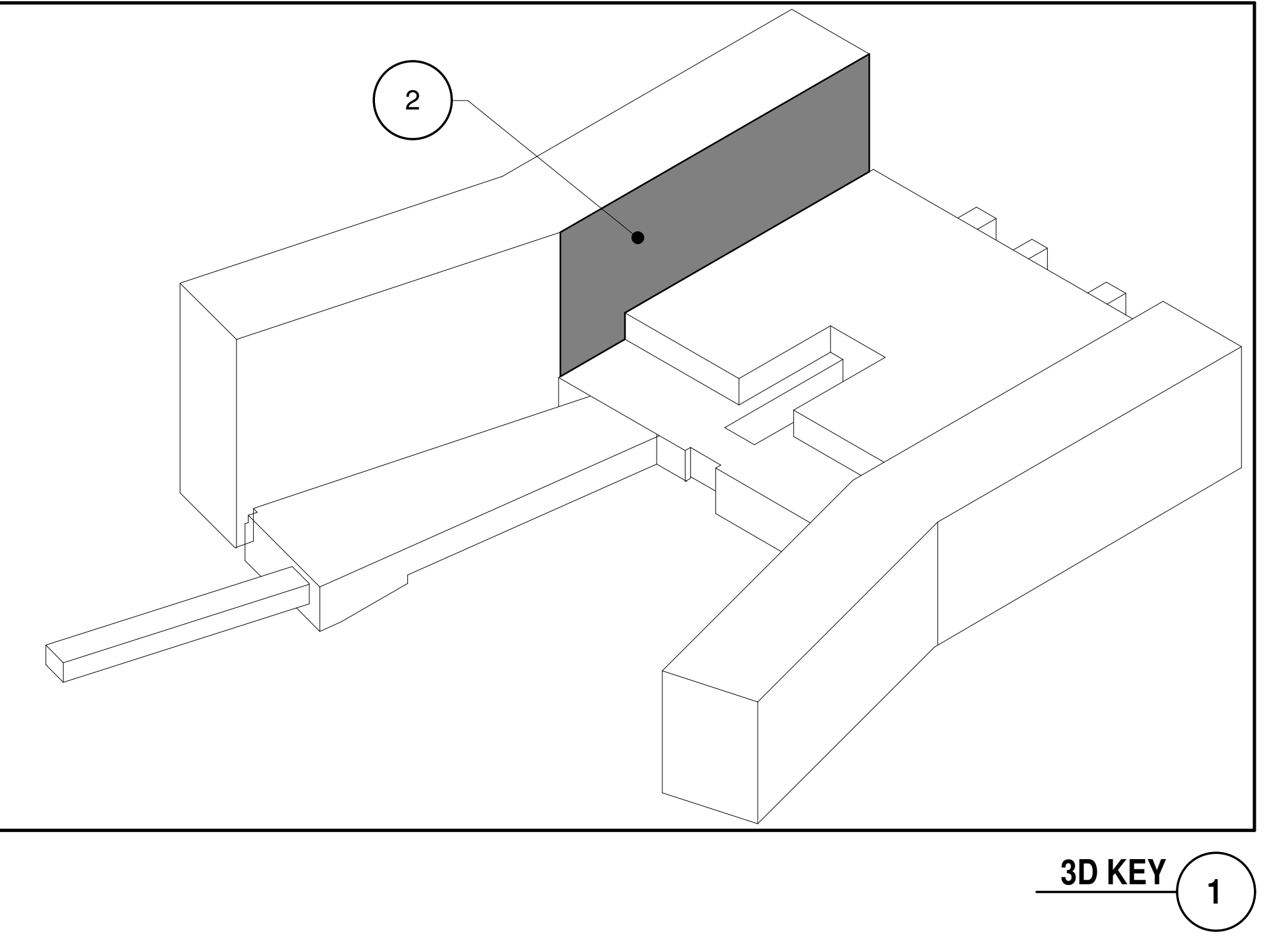



SEAN MOORE MCP, RPP
 MANAGER, DEVELOPMENT REVIEW - WEST
 PLANNING, INFRASTRUCTURE & ECONOMIC
 DEVELOPMENT DEPARTMENT, CITY OF OTTAWA

APPROVED
 By Sean Moore at 6:27 pm, Jun 11, 2026

GENERAL NOTES
 FOR CLADDING GENERAL NOTES, REFER TO A5-110

File Number:
 D07-12-26-0008 (Revision)
 D07-12-22-0168 (Original)
 Plan Number: 19424



PROJECT
 THE OTTAWA HOSPITAL
 NEW CAMPUS
 DEVELOPMENT -
 PHASE 4 MAIN HOSPITAL
 BUILDING
 900 CARLING AVE. OTTAWA, ONTARIO

CLIENT
 The Ottawa Hospital | L'Hôpital d'Ottawa

Infrastructure Ontario

PCL CONSTRUCTION | **EllisDon**


CLIENT PROJECT NO.
 1070002

KEY PLAN
 TRUE NORTH | PROJECT NORTH

03 SITE PLAN CONTROL REGISTRATION RZ 2026-03-01
 02 DESIGN BUILD BASELINE SUBMISSION 2026-03-01
 01 95% DD SUBMISSION 2025-09-19
 NO2

REVISIONS
 NO. | DATE

DRAWING STATUS
NOT FOR CONSTRUCTION
 DISCREPANCIES MUST BE REPORTED IMMEDIATELY TO THE ARCHITECT BEFORE PROCEEDING. ONLY PLOTTED DIMENSIONS ARE TO BE USED. CONTRACTORS MUST CHECK ALL DIMENSIONS ON SITE. THIS DRAWING IS PROTECTED BY COPYRIGHT.
 ALL DIMENSIONS ARE SHOWN IN METRIC.

AUTHOR

 A Partnership of Corporations

PROJECT TEAM
DESIGN-BUILDER PLOLED A JOINT VENTURE
 PARION ARCHITECTS LIMITED | ZOOH/UMARIE PRATTE ARCHITECTES
 ADAMSON ASSOCIATES ARCHITECTS
 888 ARCHITECTS OTTAWA INC.
STRUCTURAL SIKAS OPEN CANADA INC.
 SIKAS OPEN CANADA INC.
 BOUTHELLETT PARIZEAU INC.
MECHANICAL HR ANGUS & ASSOCIATES LTD.
 SIKAS OPEN CANADA INC.
ELECTRICAL MEEVEY & BIRNAN INTERNATIONAL INC.
 WSP CANADA INC.
CIVIL WSP CANADA INC.
LANDSCAPE VERDECO DESIGN INC.
 PWP LANDSCAPE ARCHITECTURE

BUILDING CODE UMGG BUILDING CODE CONSULTANTS LTD.
AUTHOR PROJECT NO.
 2233-00

STAMP | **STAMP**

DRAWING TITLE
 PARTIAL TRUE
 ELEVATIONS TOWER B
 WEST

DRAWN AAA-PT | **CHECKED** JM
SCALE AT 45° x 65° | **DATE** 19 SEP 2025
AS NOTED

GRAPHIC SCALE | **SCALE IN METERS**

DRAWING NO. | **REV. NO.**
A5-160 | **03**

ELEVATION - TOWER B WEST TRUE ELEVATION