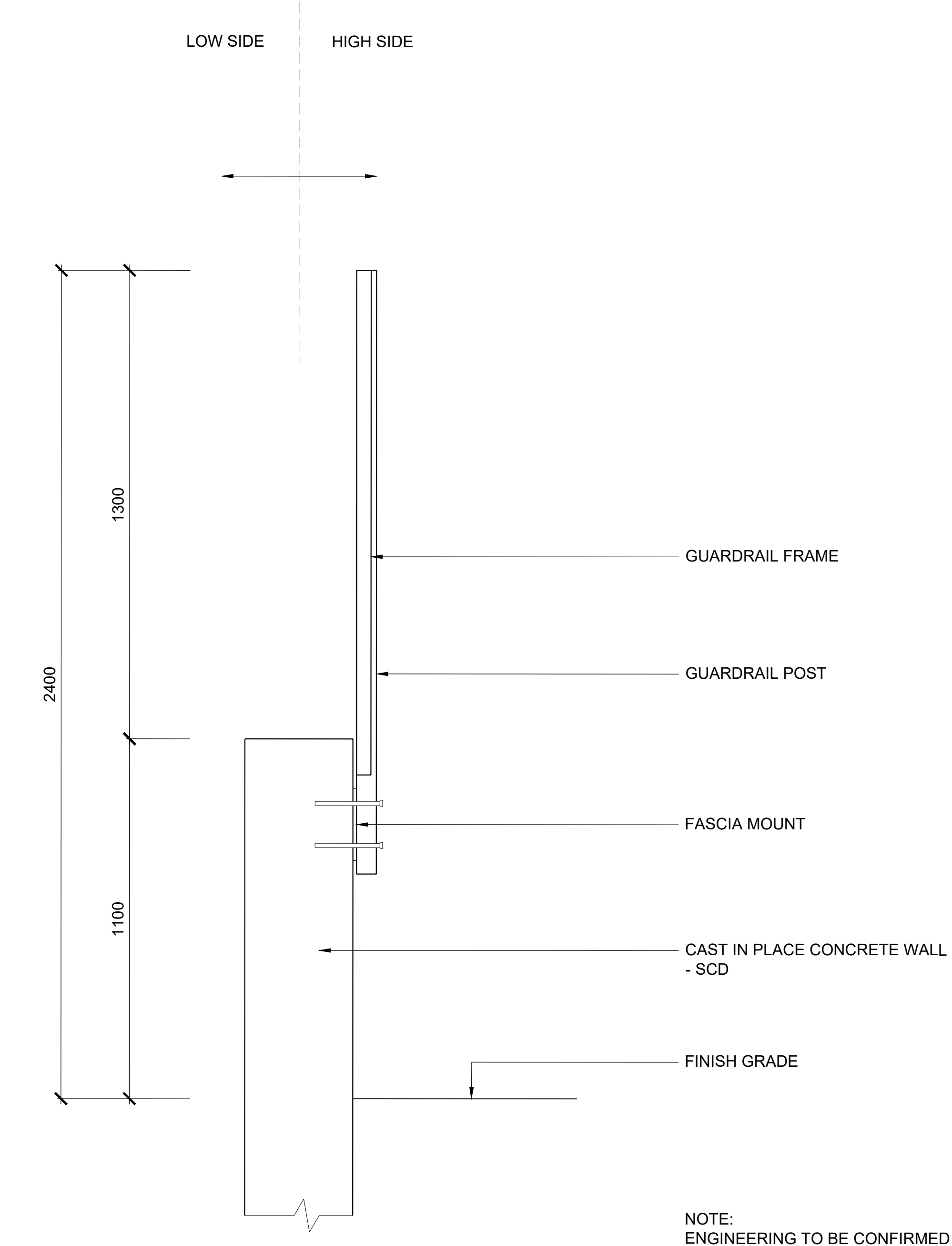
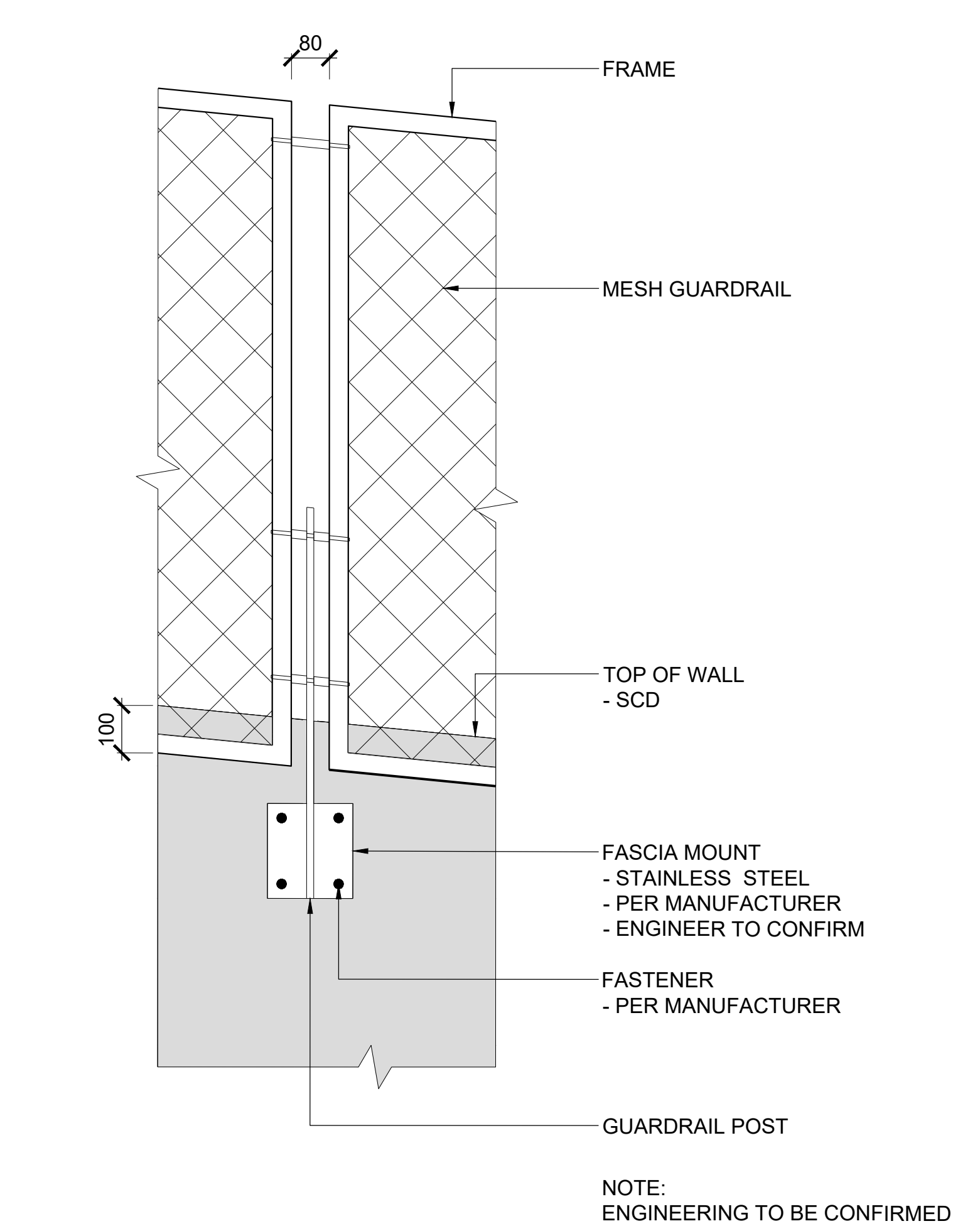


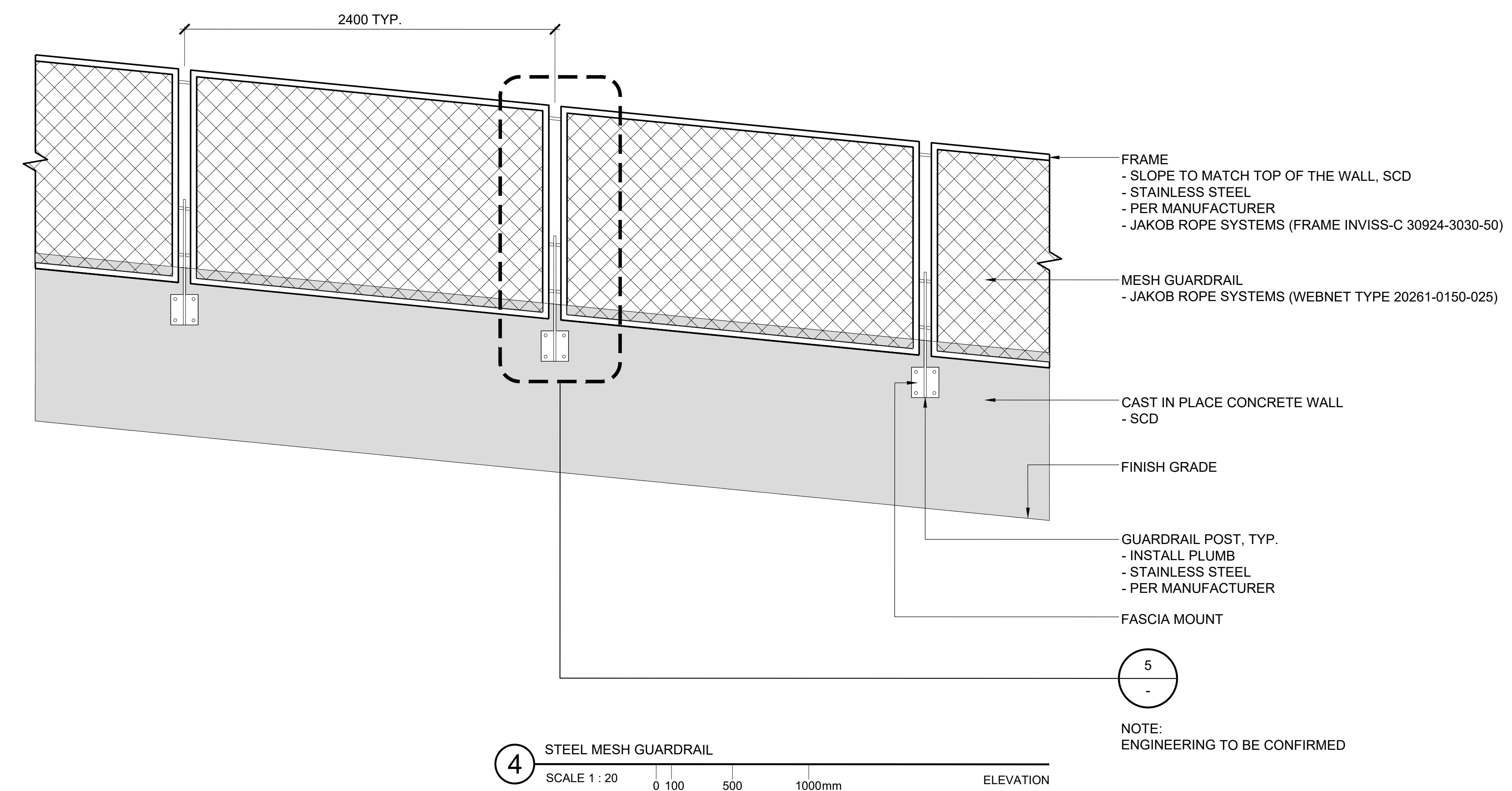
PLOT DATE: 19-SEP-2025 10:58:10 AM 1070002-02



6 STEEL MESH GUARDRAIL
SCALE 1:10 0 100 200 300 400 500mm SECTION



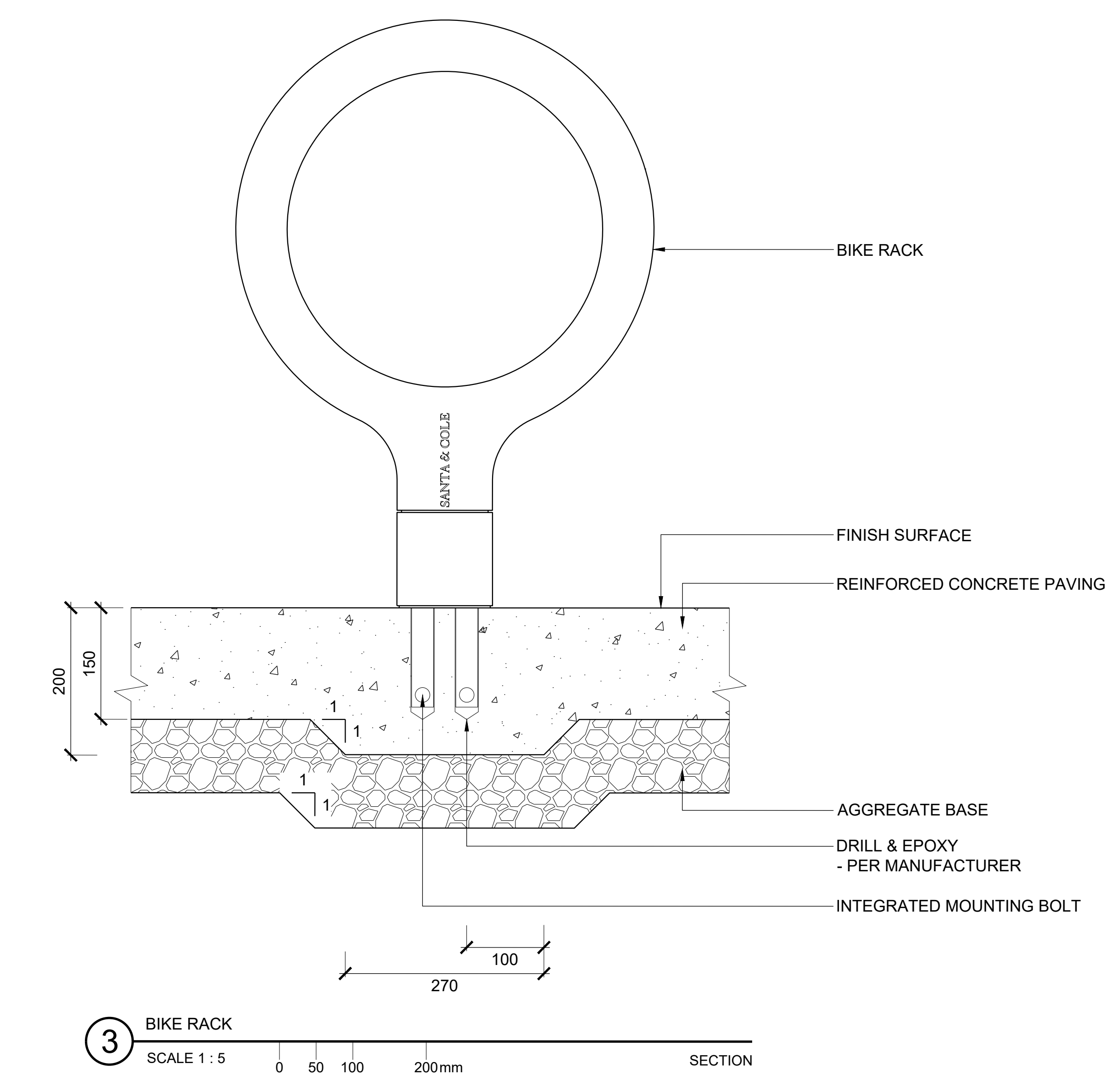
5 STEEL MESH GUARDRAIL
SCALE 1:10 0 100 200 300 400 500mm SECTION



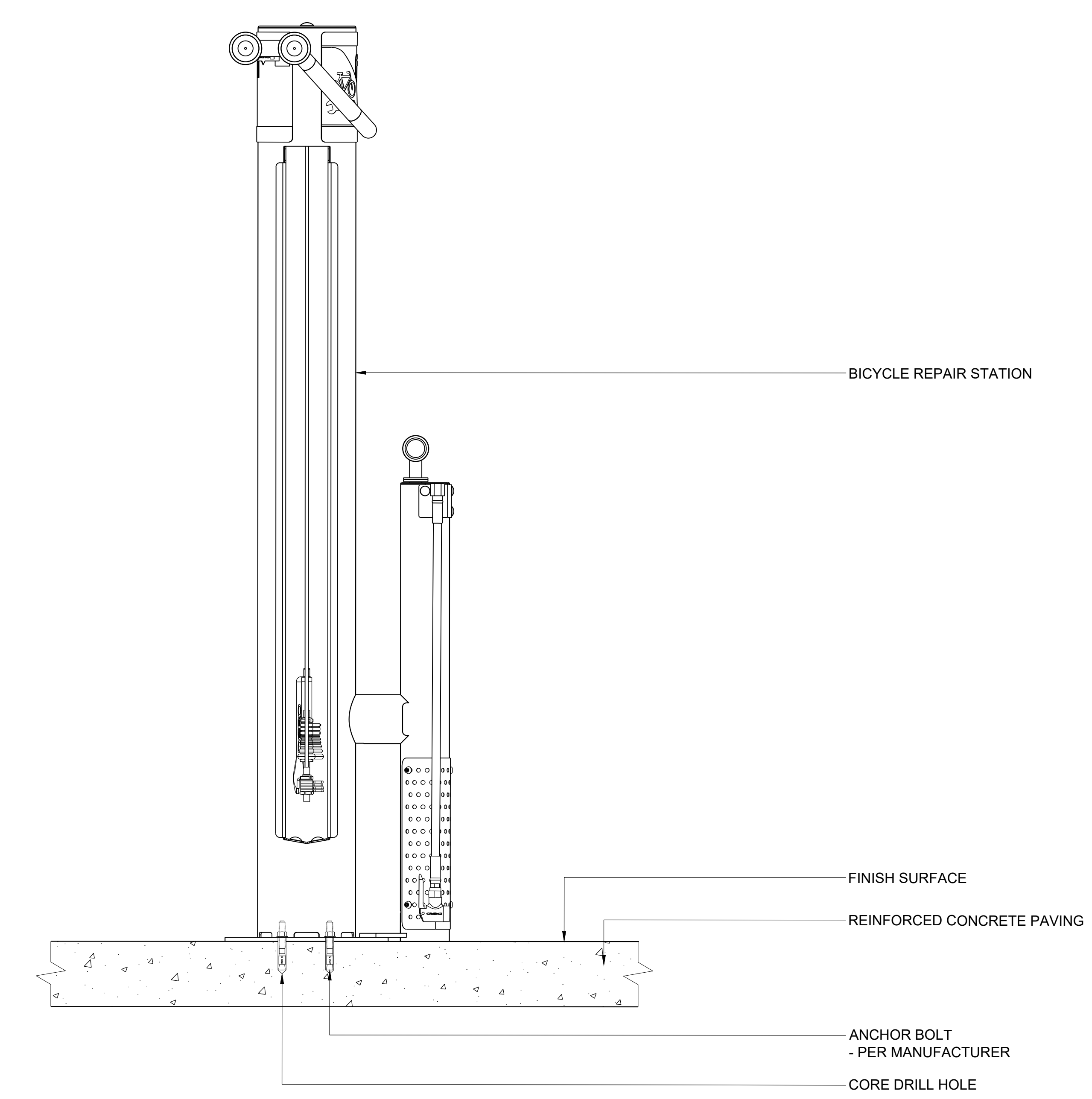
4 STEEL MESH GUARDRAIL
SCALE 1:20 0 100 500 1000mm ELEVATION

NOTE: ENGINEERING TO BE CONFIRMED

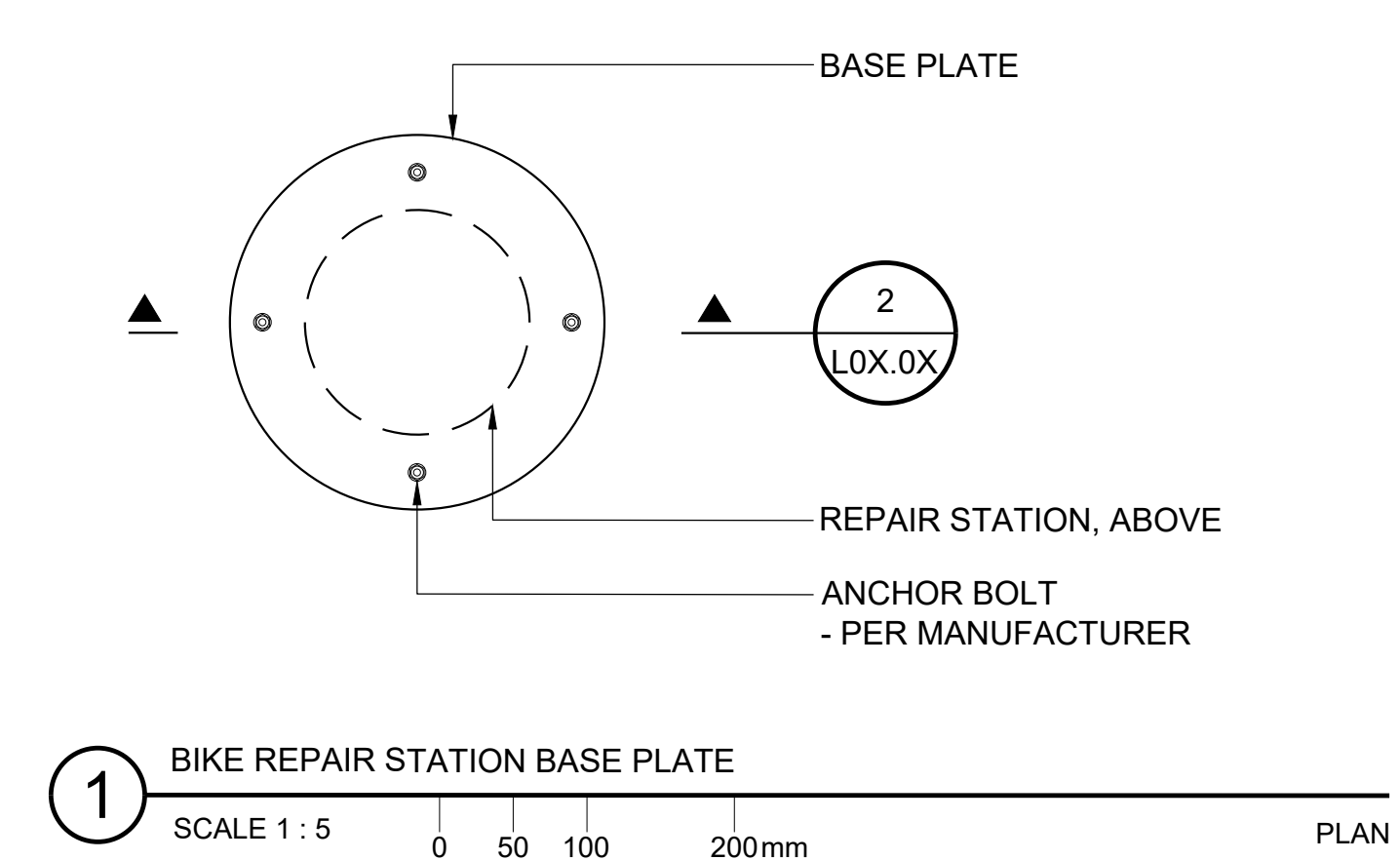
NOTE: ENGINEERING TO BE CONFIRMED



3 BIKE RACK
SCALE 1:5 0 50 100 200mm SECTION



2 BIKE REPAIR STATION
SCALE 1:5 0 50 100 200mm SECTION



1 BIKE REPAIR STATION BASE PLATE
SCALE 1:5 0 50 100 200mm PLAN

PROJECT
THE OTTAWA HOSPITAL
NEW CAMPUS
DEVELOPMENT -
PHASE 4 MAIN HOSPITAL
BUILDING
900 CARLING AVE. OTTAWA ONTARIO

CLIENT
The Ottawa Hospital | L'Hôpital d'Ottawa

Infrastructure Ontario

PCL CONSTRUCTION | **EllisDon**

CLIENT PROJECT NO. 1070002

KEY PLAN

NO.	DESCRIPTION	DATE
02	SITE PLAN CONTROL, RESUBMISSION	2025-01-10
01	95% DD SUBMISSION	2025-09-10
00	ISSUED	

REVISIONS

DRAWING STATUS

NOT FOR CONSTRUCTION

DISCREPANCIES MUST BE REPORTED IMMEDIATELY TO THE ARCHITECT BEFORE PROCEEDING. ONLY FIGURED DIMENSIONS ARE TO BE USED. CONTRACTORS MUST CHECK ALL DIMENSIONS ON SITE. THIS DRAWING IS PROTECTED BY COPYRIGHT.

ALL DIMENSIONS ARE SHOWN IN METRIC.

AUTHOR

PROJECT TEAM

DESIGN/BUILDER POLIED, A JOINT VENTURE

ARCHITECTURAL PARSON ARCHITECTS LIMITED, ZOOHL LAMARIE PRATTE ARCHITECTS, ADAMSON ASSOCIATE ARCHITECTS, 888 ARCHITECTS INC.

STRUCTURAL STEPHENSON ENGINEERING LTD, BOUTHILLET PARIZEAU INC.

MECHANICAL HI ANGLIS & ASSOCIATES LTD, CROSSEY ENGINEERING LTD.

ELECTRICAL MELVEY & BIRN INTERNATIONAL INC.

CIVIL HEP CANADA INC.

LANDSCAPE VERTECOBS DESIGN INC, PWP LANDSCAPE ARCHITECTURE

BUILDING CODE UMCG BUILDING CODE CONSULTANTS LTD.

AUTHOR PROJECT NO. PCL2301_C

STAMP

DRAWING TITLE
SITE FURNISHING DETAILS

DRAWN	CHECKED

SCALE AT 40° x 65°
AS NOTED

DATE: 19-SEPT-2025

GRAPHIC SCALE: AS NOTED

DRAWING NO. L24-104 **REV NO.** 02