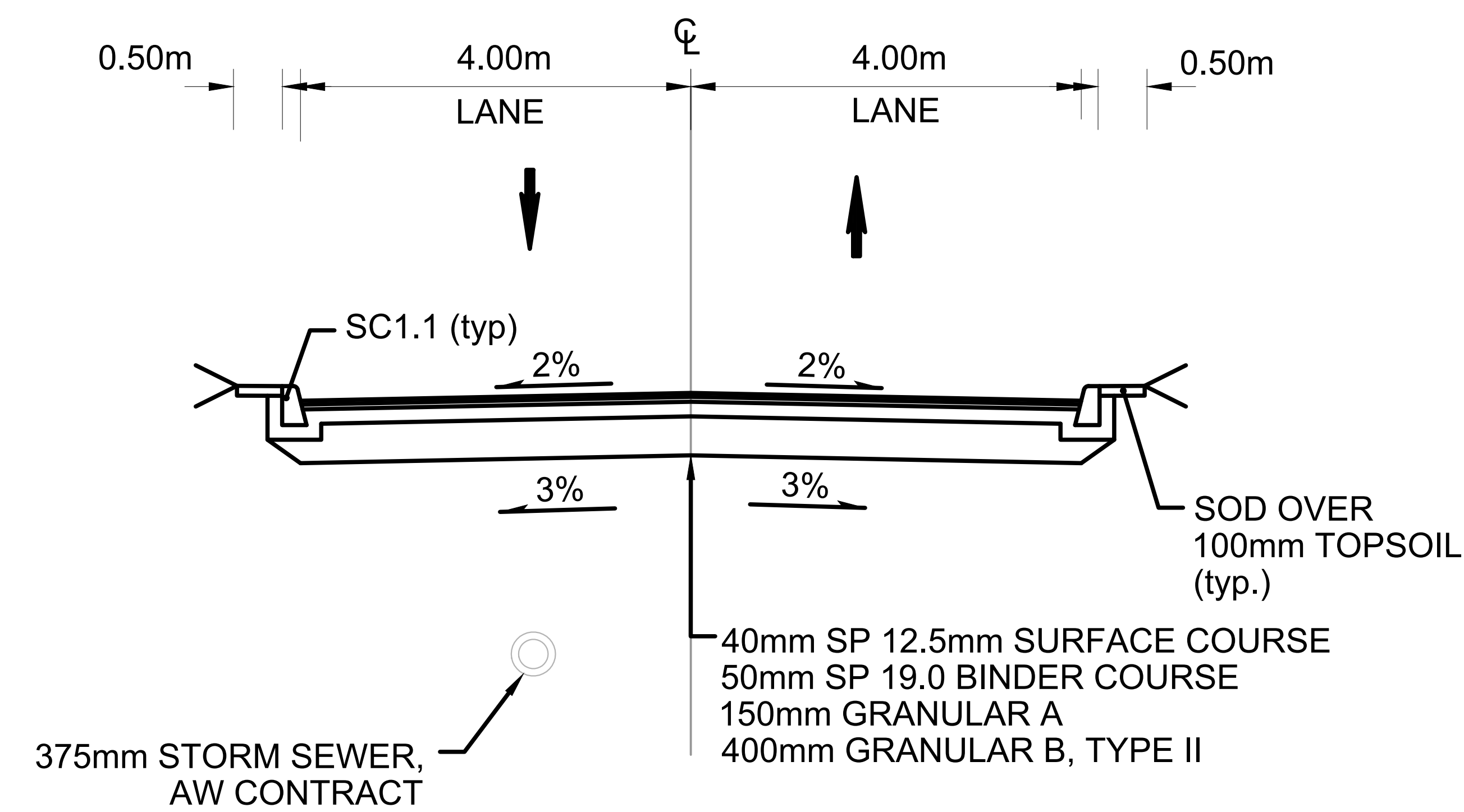
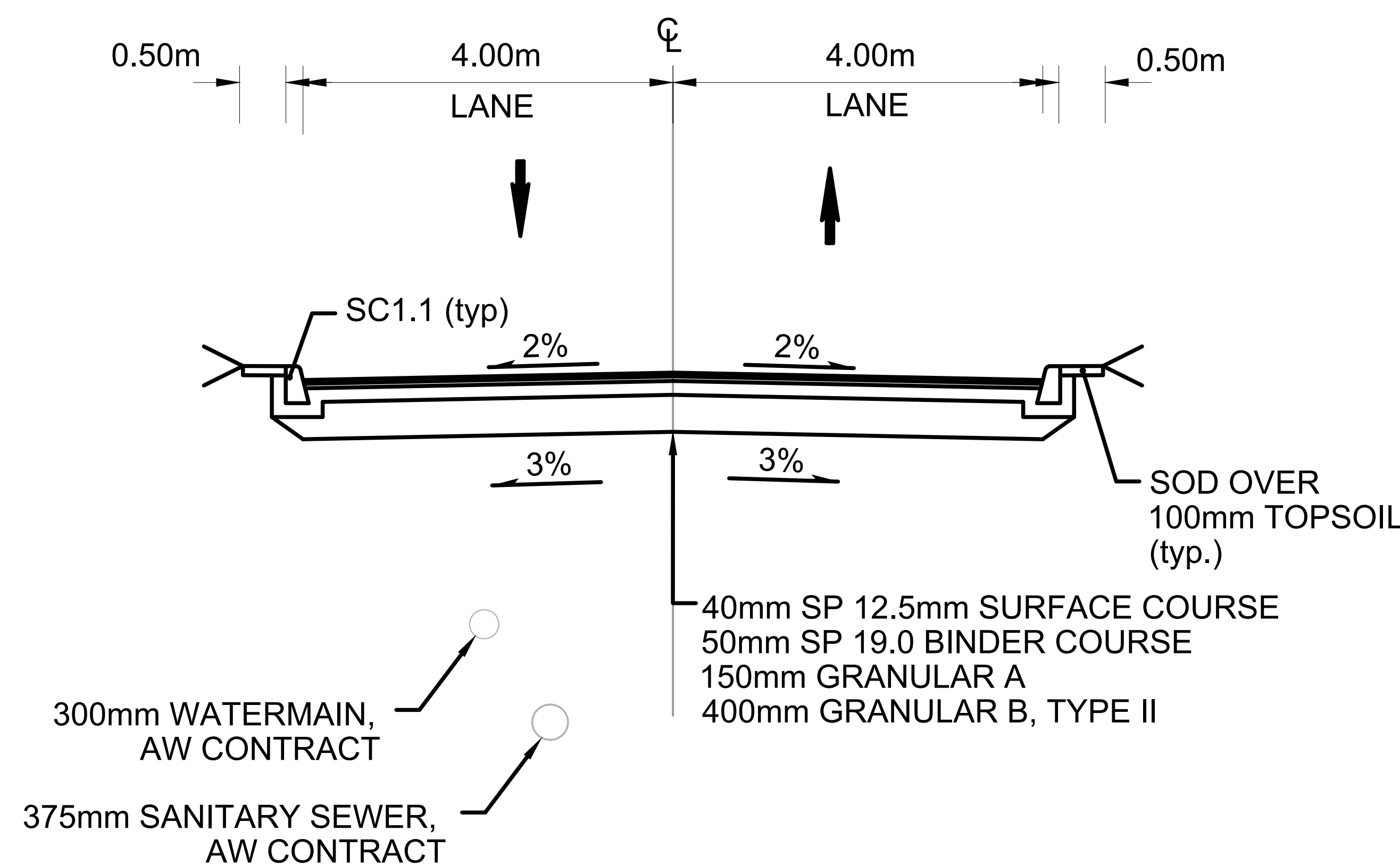


ROAD D SECTION



ROAD E SECTION



ROAD L SECTION

*SM*

SEAN MOORE MCIP, RPP  
MANAGER, DEVELOPMENT REVIEW - WEST  
PLANNING, INFRASTRUCTURE & ECONOMIC  
DEVELOPMENT DEPARTMENT, CITY OF OTTAWA

APPROVED  
By Sean Moore at 6:37 pm, Jun 11, 2026

File Number:  
D07-12-26-0008 (Revision)  
D07-12-22-0168 (Original)  
Plan Number: 19424

**PROJECT**  
THE OTTAWA HOSPITAL  
NEW CAMPUS  
DEVELOPMENT -  
PHASE 4 MAIN HOSPITAL  
BUILDING  
900 CARLING AVE, OTTAWA, ONTARIO

**CLIENT**  
The Ottawa Hospital | L'Hôpital d'Ottawa

**CONSTRUCTION**  
PCL | EllisDon

**CLIENT PROJECT NO.**  
1070002

**KEY PLAN**  
TRUE NORTH | PROJECT NORTH

NO.	DESCRIPTION	DATE
09	SITE PLAN CONTROL, RESUBMISSION R2	2026-03-27
08	DESIGN BUILD BASELINE SUBMISSION	2026-03-05
07	FOUNDATION PERMIT SUBMISSION	2026-01-19
06	SITE PLAN CONTROL, RESUBMISSION	2026-01-12
05	95% DD SUBMISSION	2025-09-09
04	SITE PLAN CONTROL, RESUBMISSION	2025-08-05
03	85% DD SUBMISSION	2025-06-05
02	35% DD SUBMISSION	2025-01-29
01	ISSUED FOR ACQUISITION READINESS	2025-01-09
00	ISSUED	DATE

**DRAWING STATUS**  
**NOT FOR CONSTRUCTION**

DISCREPANCIES MUST BE REPORTED IMMEDIATELY TO THE ARCHITECT BEFORE PROCEEDING. ONLY FIGURED DIMENSIONS ARE TO BE USED. CONTRACTORS MUST CHECK ALL DIMENSIONS ON SITE. THIS DRAWING IS PROTECTED BY COPYRIGHT.

ALL DIMENSIONS ARE SHOWN IN METRIC.

**AUTHOR**  
wsp

**PROJECT TEAM**

**DESIGN BUILDER** POLED A JOINT VENTURE  
PARKIN ARCHITECTS LIMITED  
JOSHUA LAMARIE PRATTE ARCHITECTS  
ADAMSON ASSOCIATES ARCHITECTS  
888 ARCHITECTS OTTAWA INC.

**STRUCTURAL** SALAS OBEREN CANADA INC.  
BOUHELLETTE PARISSEAU INC.

**MECHANICAL** HJ ANGLIS & ASSOCIATES LTD.  
SALAS OBEREN CANADA INC.

**ELECTRICAL** MELVEY & BARNAN INTERNATIONAL INC.  
WSP CANADA INC.

**CIVIL** WSP CANADA INC.

**LANDSCAPE** VERTICUS DESIGN INC.  
PIP LANDSCAPE ARCHITECTURE

**BUILDING CODE** LMDO BUILDING CODE CONSULTANTS LTD.

**AUTHOR PROJECT NO.**  
CA0027758.0-51

**STAMP**

**DRAWING TITLE**  
TYPICAL SECTIONS  
2 OF 2

DRAWN	CHECKED
M. HUNDETMARK	C. GRAHAM

SCALE AT 47' = 60'  
N.T.S.  
DATE: 2024-02-26

**DRAWING NO.**  
T7-702

**REV NO.**  
09