

PROJECT NORTH

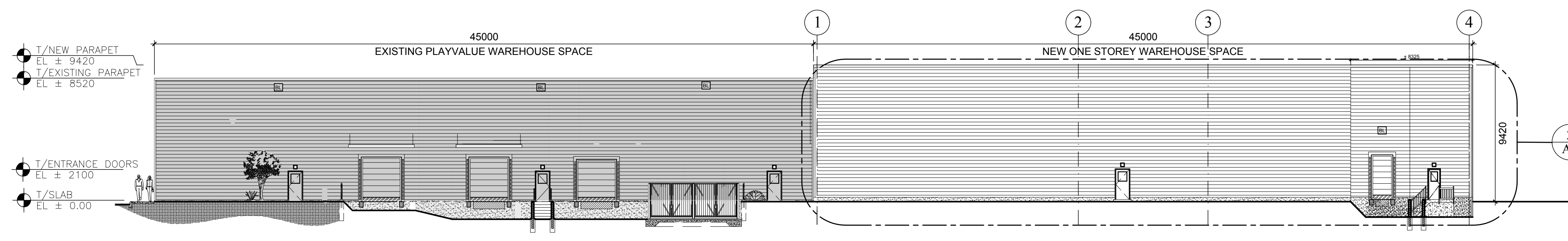
1	SITE PLAN CONTROL RESPONSE	JULY 15 21
revision		date
<p>A detail no. no. du d?tail B location drawing no. no. de localisation C drawing no. no. du dessin</p>		
project	PLAYVALUE TOYS	
project	130 DAVID MANCHESTER ROAD	
drawing	dessin	
<b>ELEVATIONS &amp; CROSS SECTION</b>		
designed	J.G.	con?u
date	MAY 7 2020	
drawn	J.G.	dessin?
date	MAY 7 2020	
revised	R.O	revis?
date	MAY 7 2020	
approved	R.O	approuv?
date	MAY 7 2020	
tender	R.O	soumission
date	TBD	
project no.	2020-07	no. du projet
drawing no.	A-3	no. du dessin

**ELEVATION NOTES:**

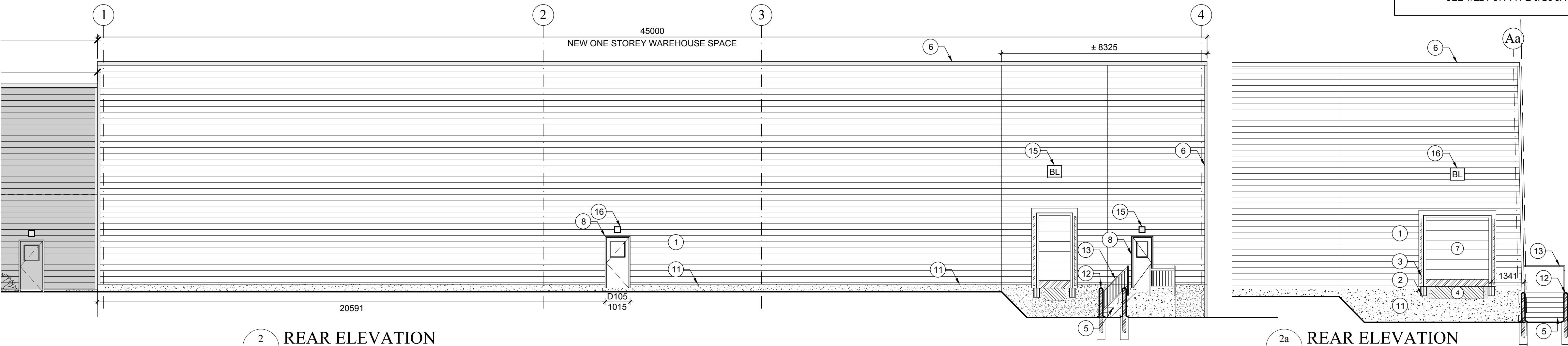
- 1 PRE-FINISHED HORIZONTAL METAL SIDING (white)
- 2 OVERHEAD DOOR BUMPERS. TYPICAL (black with vertical yellow strip)
- 3 OVERHEAD DOOR SEALS. TYPICAL (black)
- 4 EXPOSED PORTION OF DOCK LIFT (exposed metal)
- 5 CONCRETE STEP OR STAIRS (gray)
- 6 PRE-FINISHED METAL FASCIA (white)
- 7 OVERHEAD GARAGE DOOR - PRE-FINISHED (white)
- 8 MAN DOOR - PAINT FINISH (white)
- 9 CONCRETE FOUNDATION (gray)
- 10 RESERVED
- 11 CONCRETE PARGING (gray)
- 12 BOLLARD (brushed stainless steel)
- 13 HANDRAIL / GUARDRAIL (brushed stainless steel)
- 14 ALUMINUM WINDOW (white)
- 15 PLAYVALUE - DECORATIVE LOGO PANELS (Firetruck red & green)

**LEGEND:**

- 16 BUILDING MOUNTED WALL FIXTURE (white)
- SEE 1/E2 FOR TYPE & LOCATIONS

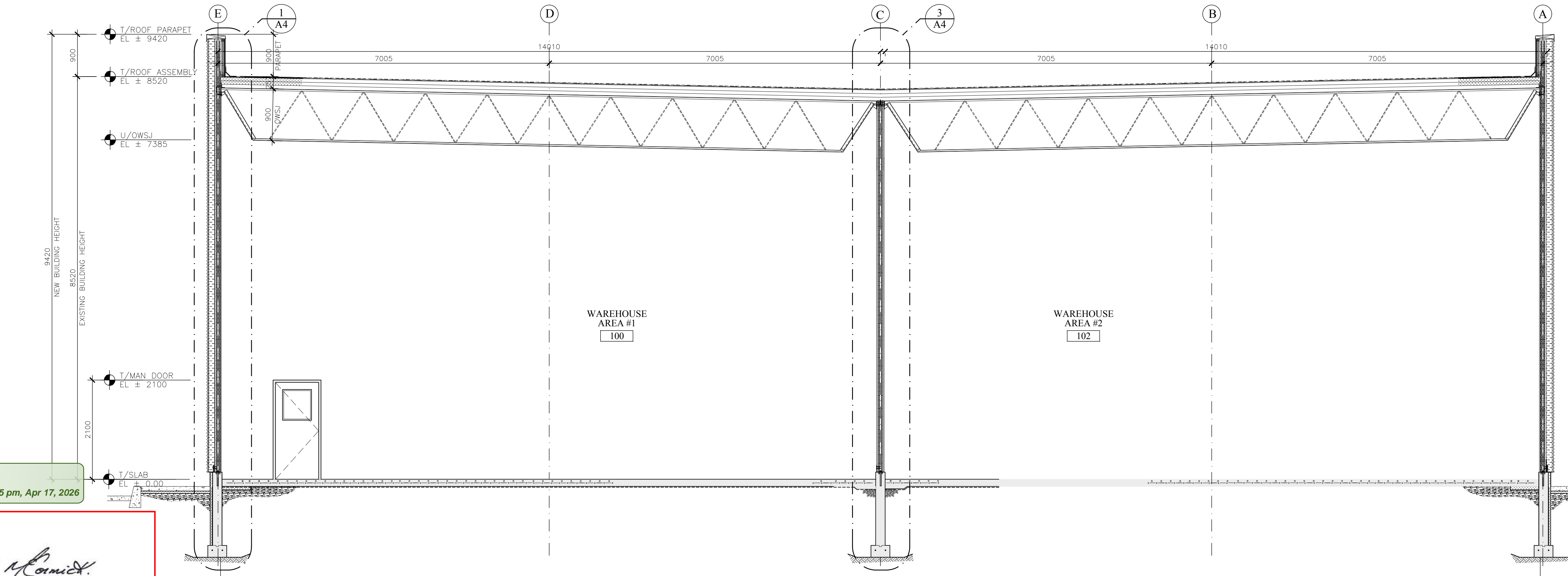


1 REAR ELEVATION  
A3 SCALE = 1:200 WEST



2 REAR ELEVATION  
A3 SCALE = 1:100 WEST

2a REAR ELEVATION  
A3 SCALE = 1:100



3 CROSS SECTION  
A3 SCALE = 1:50

**APPROVED**  
By Sarah McCormick at 2:15 pm, Apr 17, 2026

*Sarah McCormick*  
**SARAH MCCORMICK**  
PLANNER III  
PLANNING, DEVELOPMENT AND BUILDING SERVICES  
DEPARTMENT, CITY OF OTTAWA

Plan 16664