

NOTES: GENERAL

- DRAWINGS TO BE READ IN CONJUNCTION WITH ARCHITECTURAL AND LANDSCAPE DRAWINGS
- ALL SERVICES, MATERIALS, CONSTRUCTION METHODS AND INSTALLATIONS SHALL BE IN ACCORDANCE WITH THE LATEST STANDARDS AND REGULATIONS OF THE ONTARIO PROVINCIAL SPECIFICATION STANDARD SPECIFICATION (OPSS) AND ONTARIO PROVINCIAL STANDARD DRAWINGS (OPSD), UNLESS OTHERWISE SPECIFIED, TO THE SATISFACTION OF THE CITY AND THE CONSULTANT
- THE POSITION OF EXISTING POLE LINES, CONDUITS, WATERMANS, SEWERS AND OTHER UNDERGROUND AND ABOVEGROUND UTILITIES, STRUCTURES AND APPURTENANCES IS NOT NECESSARILY SHOWN ON THE CONTRACT DRAWING, AND WHERE SHOWN, THE ACCURACY OF THE POSITION OF SUCH UTILITIES AND STRUCTURES IS NOT GUARANTEED. PRIOR TO CONSTRUCTION, THE CONTRACTOR SHALL SATISFY HIMSELF OF THE EXACT LOCATION OF ALL SUCH UTILITIES AND STRUCTURES, AND SHALL ASSUME ALL LIABILITY FOR DAMAGE TO THEM DURING THE COURSE OF CONSTRUCTION. ANY RELOCATION OF EXISTING UTILITIES REQUIRED BY THE DEVELOPMENT OF SUBJECT LANDS IS TO BE UNDERTAKEN AT CONTRACTOR'S EXPENSE.
- THE CONTRACTOR MUST NOTIFY ALL EXISTING UTILITY COMPANY OFFICIALS FIVE (5) BUSINESS DAYS PRIOR TO START OF CONSTRUCTION AND HAVE ALL EXISTING UTILITIES AND SERVICES LOCATED IN THE FIELD OR EXPOSED PRIOR TO THE START OF CONSTRUCTION, INCLUDING BUT NOT LIMITED TO POWER, COMMUNICATION AND GAS LINES.
- ALL TRENCHING AND EXCAVATIONS TO BE IN ACCORDANCE WITH THE LATEST REVISIONS OF THE OCCUPATIONAL HEALTH AND SAFETY ACT AND REGULATIONS FOR CONSTRUCTION PROJECTS AND AS PER THE RECOMMENDATIONS INCLUDED IN THE GEOTECHNICAL REPORT.
- REFER TO ARCHITECTS PLANS FOR BUILDING DIMENSIONS, LAYOUT AND REMOVALS. REFER TO LANDSCAPE PLAN FOR LANDSCAPE DETAILS AND OTHER RELEVANT INFORMATION. ALL INFORMATION SHALL BE CONFIRMED PRIOR TO COMMENCEMENT OF CONSTRUCTION.
- TOPOGRAPHIC SURVEY COMPLETED AND PROVIDED BY ANNIS O'SULLIVAN, VOLLEBERG LTD. DATED OCTOBER 24, 2022. CONTRACTOR TO VERIFY IN THE FIELD PRIOR TO CONSTRUCTION OF ANY WORK AND NOTIFY THE ENGINEER OF ANY DISCREPANCIES.
- ALL ELEVATIONS ARE GEODETIC AND UTILIZE METRIC UNITS. VERIFY THAT JOB BENCHMARKS HAVE NOT BEEN ALTERED OR DISTURBED.
- ALL GROUND SURFACES SHALL BE EVENLY GRADED WITHOUT PONDING AREAS AND WITHOUT LOW POINTS EXCEPT WHERE APPROVED SWALE OR CATCH BASIN OUTLETS ARE PROVIDED.
- ALL EDGES OF DISTURBED PAVEMENT SHALL BE SAW CUT TO FORM A NEAT AND STRAIGHT LINE PRIOR TO PLACING NEW PAVEMENT. PAVEMENT REINSTATEMENT SHALL BE WITH STEP JOINTS OF 500mm WIDTH MINIMUM.
- ALL DISTURBED AREAS OUTSIDE PROPOSED GRADING LIMITS TO BE RESTORED TO ORIGINAL ELEVATIONS AND CONDITIONS UNLESS OTHERWISE SPECIFIED. ALL RESTORATION SHALL BE COMPLETED WITH THE GEOTECHNICAL REQUIREMENTS FOR BACKFILL AND COMPACTION.
- ABUTTING PROPERTY GRADES TO BE MATCHED UNLESS OTHERWISE SHOWN.
- CONTRACTOR SHALL OBTAIN AND PAY FOR ALL NECESSARY PERMITS AND APPROVALS FROM THE MUNICIPAL AUTHORITIES PRIOR TO COMMENCING CONSTRUCTION, INCLUDING WATER PERMIT AND ROAD CUT PERMIT.
- MINIMIZE DISTURBANCE TO EXISTING VEGETATION DURING THE EXECUTION OF ALL WORKS.
- REMOVE FROM SITE ALL EXCESS EXCAVATED MATERIAL UNLESS OTHERWISE DIRECTED FROM THE ENGINEER. EXCAVATE AND REMOVE ALL ORGANIC MATERIAL AND DEBRIS LOCATED WITHIN THE PROPOSED BUILDING, PARKING AND ROADWAY LOCATIONS.
- AT PROPOSED UTILITY CONNECTION POINTS AND CROSSINGS (I.E. STORM SEWER, SANITARY SEWER, WATER, ETC.) THE CONTRACTOR SHALL DETERMINE THE PRECISE LOCATION AND DEPTH OF EXISTING UTILITIES AND REPORT ANY DISCREPANCIES OR CONFLICTS TO THE ENGINEER BEFORE COMMENCING WORK.
- CONTRACTOR TO OBTAIN POST-CONSTRUCTION TOPOGRAPHIC SURVEY, COMPLETED BY OLS OR P.ENG CONFIRMING COMPLIANCE WITH DESIGN GRADING AND SERVICING. SURVEY IS TO INCLUDE LOCATION AND INVERTS FOR BURIED UTILITIES.
- ABIDE BY RECOMMENDATIONS OF GEOTECHNICAL REPORT. REPORT ANY VARIATIONS IN OBSERVED CONDITIONS FROM THOSE INCLUDED IN REPORT.
- REPORT REFERENCES
i. DESIGN BRIEF, COWAN'S GROVE, 4791 BANK STREET - LEITRIM DEVELOPMENT AREA, PREPARED BY IBI GROUP, PROJECT NO. 103357 DATED MAY 2018.
ii. GEOTECHNICAL INVESTIGATION FOR RUSSELL PUBLIC ELEMENTARY SCHOOL, PREPARED BY EXP DATED NOVEMBER, 2025.
- PROVIDE CCTV INSPECTION REPORT FOR ALL SEWERS AND CATCHBASIN LEADS 200mm DIAMETER AND LARGER. REPEAT CCTV INSPECTION FOLLOWING RECTIFICATION OF ANY DEFICIENCIES.

NOTES: EROSION AND SEDIMENT CONTROL

** CONTRACTOR IS RESPONSIBLE FOR ALL INSTALLATION, MONITORING, REPAIR AND REMOVAL OF ALL EROSION AND SEDIMENT CONTROL FEATURES. **

- PRIOR TO START OF CONSTRUCTION:
 - INSTALL SILT FENCE IN LOCATION SHOWN ON DWG C07.
 - INSTALL FILTER FABRIC OR SILT SACK FILTERS IN ALL THE CATCHBASINS AND MANHOLES TO REMAIN DURING CONSTRUCTION WITHIN THE SITE (SEE TECHNICAL DETAIL).
 - INSPECT MEASURES IMMEDIATELY AFTER INSTALLATION.
- DURING CONSTRUCTION:
 - MINIMIZE THE EXTENT OF DISTURBED AREAS AND THE DURATION OF EXPOSURE AND IMPACTS TO EXISTING GRADING.
 - PERIMETER VEGETATION TO REMAIN IN PLACE UNTIL PERMANENT STORM WATER MANAGEMENT IS IN PLACE. OTHERWISE, IMMEDIATELY INSTALL SILT FENCE WITHIN THE EXISTING SITE IS DISTURBED AT THE PERIMETER.
 - PROTECT DISTURBED AREAS FROM OVERLAND FLOW BY PROVIDING TEMPORARY SWALES TO THE SATISFACTION OF THE FIELD ENGINEER. TIE-IN TEMPORARY SWALE TO EXISTING CBS AS REQUIRED.
 - PROVIDE TEMPORARY COVER, SUCH AS SEEDING OR MULCHING IF DISTURBED AREA WILL NOT BE REHABILITATED WITHIN 30 DAYS.
 - INSPECT SILT FENCES, FILTER FABRIC FILTERS AND CATCH BASIN SUMPS WEEKLY AND WITHIN 24 HOURS AFTER A STORM EVENT. CLEAN AND REPAIR WHEN NECESSARY.
 - DRAWING TO BE REVIEWED AND REVISED AS REQUIRED DURING CONSTRUCTION. EROSION CONTROL FENCING TO BE ALSO INSTALLED AROUND THE BASE OF ALL STOCKPILES.
 - DO NOT LOCATE TOPSOIL PILES AND EXCAVATION MATERIAL CLOSER THAN 2.5m FROM ANY PAVED SURFACE, OR ONE WHICH IS TO BE PAVED BEFORE THE PILE IS REMOVED. ALL TOPSOIL PILES ARE TO BE SEEDED IF THEY ARE TO REMAIN ON SITE LONG ENOUGH FOR SEEDS TO GROW (LONGER THAN 30 DAYS).
 - CONTROL WIND-BLOWN DUST OFF SITE BY SEEDING TOPSOIL PILES AND OTHER AREAS TEMPORARILY. PROVIDE WATERING AS REQUIRED AND TO THE SATISFACTION OF THE ENGINEER.
 - NO ALTERNATE METHODS OF EROSION PROTECTION SHALL BE PERMITTED UNLESS APPROVED BY THE FIELD ENGINEER.
 - CITY ROADWAY AND SIDEWALK TO BE CLEANED OF ALL SEDIMENT FROM VEHICULAR TRACKING AS REQUIRED.
 - DURING WET CONDITIONS, TIRES OF ALL VEHICLES/EQUIPMENT LEAVING THE SITE ARE TO BE SCRAPPED.
 - ANY MUD/MATERIAL TRACKED ONTO THE ROAD SHALL BE REMOVED IMMEDIATELY BY HAND OR RUBBER TIRE LOADER.
 - TAKE ALL NECESSARY STEPS TO PREVENT BUILDING MATERIAL, CONSTRUCTION DEBRIS OR WASTE BEING SPILLED OR TRACKED ONTO ADJUTING PROPERTIES OR PUBLIC STREETS DURING CONSTRUCTION AND PROCEED IMMEDIATELY TO CLEAN UP ANY AREAS SO AFFECTED.
 - ALL EROSION CONTROL STRUCTURE TO REMAIN IN PLACE UNTIL ALL DISTURBED GROUND SURFACES HAVE BEEN STABILIZED EITHER BY PAVING OR RESTORATION OF VEGETATIVE GROUND COVER.
 - THE CONTRACTOR SHALL IMPLEMENT BEST MANAGEMENT PRACTICES, TO PROVIDE FOR PROTECTION OF THE AREA DRAINAGE SYSTEM AND THE RECEIVING WATERCOURSE, DURING CONSTRUCTION ACTIVITIES. THE CONTRACTOR ACKNOWLEDGES THAT FAILURE TO IMPLEMENT APPROPRIATE EROSION AND SEDIMENT CONTROL MEASURES MAY BE SUBJECT TO PENALTIES IMPOSED BY ANY APPLICABLE REGULATORY AGENCY.

SANITARY SEWER AND STRUCTURES

- ALL SANITARY SEWER, SANITARY SEWER APPURTENANCES AND CONSTRUCTION METHODS SHALL CONFORM TO ONTARIO PROVINCIAL STANDARD SPECIFICATIONS AND DRAWINGS, OR AS SPECIFIED, PROVIDE CCTV INSPECTION REPORTS FOR ALL NEW SANITARY PIPING.
- SANITARY SEWER PIPE SIZE 150mm DIAMETER AND GREATER TO BE PVC SDR-35 (UNLESS SPECIFIED OTHERWISE) WITH RUBBER GASKET TYPE JOINTS IN CONFORMANCE WITH CSA B-182.2.3.4.
- SEWER TRENCH AND BEDDING SHALL CONFORM TO OPSD 802.010 AND 802.013 UNLESS NOTED OTHERWISE.
- ALL SANITARY MANHOLES 1200mm IN DIAMETER TO BE AS PER OPSD 701.01.
- MAINTENANCE HOLE BENCHING AND PIPE OPENING ALTERNATIVES AS PER THE OPSD 701.021
- ANY SANITARY SEWER WITH LESS THAN 2.0m COVER REQUIRES THERMAL INSULATION AS PER OPSD 1109.030, OR APPROVED BY THE ENGINEER.
- SAFETY PLATFORMS SHALL BE AS PER OPSD 404.02.
- DROP STRUCTURES SHALL BE IN ACCORDANCE WITH CITY OF OTTAWA SPECIFICATIONS AND OPSD 1003.01.
- PROVIDE BACKWATER VALVE FOR BUILDING SANITARY SERVICES.

STORM SEWERS AND STRUCTURES

- ALL STORM SEWER MATERIALS AND CONSTRUCTION METHODS SHALL CONFORM TO ONTARIO PROVINCIAL STANDARD SPECIFICATIONS AND DRAWINGS, OR AS SPECIFIED, PROVIDE CCTV INSPECTION REPORTS FOR ALL NEW STORM SEWERS, SERVICES AND CB LEADS.
- STORM SEWERS 450mm DIAMETER AND SMALLER SHALL BE PVC SDR-35, WITH RUBBER GASKET PER CSA A-257.3.
- STORM SEWER LARGER THAN 450mm SHALL BE REINFORCED CONCRETE CLASS 1000. ALL REINFORCED CONCRETE STORM SEWER PIPE SHALL BE ACCORDANCE WITH CSA A257.2. PIPE SHALL BE JOINTED WITH STD. RUBBER GASKETS AS PER CSA A257.3.
- SEWER TRENCH AND BEDDING SHALL CONFORM TO OPSD 802.010 AND 802.013 UNLESS NOTED OTHERWISE.
- ALL STORM MANHOLES TO BE AS PER STORM STRUCTURE TABLE ON DRAWINGS C01.
- ANY NEW OR EXISTING STORM SEWER WITH LESS THAN 2.0m COVER REQUIRES THERMAL INSULATION AS PER OPSD 1109.030, OR APPROVED BY THE ENGINEER.
- ALL CATCHBASIN LEADS TO BE MINIMUM 200mm DIAMETER AT MINIMUM 1.0% SLOPE UNLESS OTHERWISE SPECIFIED.
- SAFETY PLATFORMS SHALL BE AS PER OPSD 404.02.
- DROP STRUCTURES SHALL BE IN ACCORDANCE WITH CITY OF OTTAWA SPECIFICATIONS AND OPSD 1003.01.
- STORM SEWER MANHOLES SERVICING LOCAL SEWERS LESS THAN 900mm SHALL BE CONSTRUCTED WITH A 300mm SLUMP FOR STORM SEWERS 900mm AND OVER USE BENCHING IN ACCORDANCE WITH OPSD 701.021.
- STORM CATCHBASINS AS PER OPSD 705.010. STORM CBMHS AS INDICATED IN TABLE WITH SLUMP, ADJUSTMENT SECTIONS SHALL BE AS PER OPSD 704.010.
- INSTALLATION OF FLOW CONTROL ICDS TO BE VERIFIED BY QUALITY VERIFICATION ENGINEER RETAINED BY CONTRACTOR.
- PROVIDE BACKWATER VALVE ON FOUNDATION DRAIN, STORM DISCHARGE, AND OVERFLOW DISCHARGE.
- ALL CATCHBASINS EXCLUDING LANDSCAPE CATCHBASINS TO HAVE 150 M/M PERFORATED PIPE FOR 3.0M ON ALL AVAILABLE SIDES AT AN ELEVATION OF 300mm BELOW SUBGRADE LEVEL.

NOTES: PARKING LOT AND WORK IN PUBLIC RIGHTS OF WAY

- CONTRACTOR TO REINSTATE ROAD CUTS AS PER TOWNSHIP DIRECTION.
- CONTRACTOR TO PREPARE SUBGRADE, INCLUDING PROFFROLLING, TO THE SATISFACTION OF THE GEOTECHNICAL CONSULTANT PRIOR TO THE COMMENCEMENT OF PLACEMENT OF GRANULAR B MATERIAL.
- FILL TO BE PLACED AND COMPACTED PER THE GEOTECHNICAL REPORT REQUIREMENTS.
- CONTRACTOR TO SUPPLY, PLACE AND COMPACT GRANULAR B MATERIAL IN ACCORDANCE WITH THE RECOMMENDATIONS OF THE GEOTECHNICAL CONSULTANT. CONTRACTOR TO PROVIDE CONSULTANT WITH SAMPLES OF GRANULAR B MATERIAL FOR TESTING AND CERTIFICATION FROM THE GEOTECHNICAL CONSULTANT THAT THE MATERIAL MEETS THE GRADATION REQUIREMENTS SPECIFIED IN THE GEOTECHNICAL REPORT.
- GRANULAR A MATERIAL TO BE PLACED ONLY UPON APPROVAL BY THE GEOTECHNICAL CONSULTANT OF GRANULAR B PLACEMENT.
- CONTRACTOR TO SUPPLY, PLACE AND COMPACT GRANULAR A MATERIAL IN ACCORDANCE WITH THE RECOMMENDATIONS OF THE GEOTECHNICAL CONSULTANT. CONTRACTOR TO PROVIDE CONSULTANT WITH SAMPLES OF GRANULAR A MATERIAL FOR TESTING AND CERTIFICATION FROM THE GEOTECHNICAL CONSULTANT THAT THE MATERIAL MEETS THE GRADATION REQUIREMENTS SPECIFIED IN THE GEOTECHNICAL REPORT.
- ASPHALT MATERIAL TO BE PLACED ONLY UPON APPROVAL BY THE GEOTECHNICAL CONSULTANT OF GRANULAR A PLACEMENT.
- CONTRACTOR TO SUPPLY, PLACE AND COMPACT ASPHALT MATERIAL IN ACCORDANCE WITH THE RECOMMENDATIONS OF THE GEOTECHNICAL CONSULTANT. CONTRACTOR TO PROVIDE CONSULTANT WITH SAMPLES OF ASPHALT MATERIAL FOR TESTING AND CERTIFICATION FROM THE GEOTECHNICAL CONSULTANT THAT THE MATERIAL MEETS THE REQUIREMENTS SPECIFIED IN THE GEOTECHNICAL REPORT.
- CONTRACTOR IS RESPONSIBLE FOR ESTABLISHING LINE AND GRADE IN ACCORDANCE WITH THE PLANS, AND FOR PROVIDING THE CONSULTANT WITH VERIFICATION PRIOR TO PLACEMENT.
- ALL EXCESS MATERIAL TO BE HAULED OFFSITE AND DISPOSED OF AT AN APPROVED DUMP SITE. SHOULD THE CONTRACTOR DISCOVER ANY HAZARDOUS MATERIAL, CONTRACTOR IS TO NOTIFY CONSULTANT. CONSULTANT TO DETERMINE APPROPRIATE DISPOSAL METHOD/LOCATION.
- PAVEMENT STRUCTURE (MATERIAL TYPES AND THICKNESS) FOR HEAVY DUTY, LIGHT DUTY AND BASKETBALL COURT AREAS TO BE AS SPECIFIED IN THE GEOTECHNICAL REPORT AND SHOWN ON THE PLANS.

NOTES: WATERMAIN

- CONSTRUCT ALL WATERMANS AND APPURTENANCES IN ACCORDANCE WITH ONTARIO PROVINCIAL STANDARD SPECIFICATIONS AND DRAWINGS, OR AS SPECIFIED.
- EXCAVATION, INSTALLATION, BACKFILL AND RESTORATION OF ALL WATERMANS WILL BE COMPLETED BY THE CONTRACTOR. CONNECTION TO EXISTING WATERMAIN TO BE COMPLETED BY CONTRACTOR UNDER TOWNSHIP SUPERVISION.
- ALL WATERMAIN 300mm DIAMETER AND SMALLER TO BE POLY VINYL CHLORIDE (PVC) CLASS 150 DR 18 MEETING AWWA SPECIFICATION C900.
- ALL WATERMAIN TO BE INSTALLED AT MINIMUM COVER OF 2.4m BELOW FINISHED GRADE. WHERE WATERMANS CROSS OVER OTHER UTILITIES, A MINIMUM 0.30m CLEARANCE SHALL BE MAINTAINED. WHERE WATERMAIN CROSS UNDER OTHER UTILITIES, A MINIMUM 0.50m CLEARANCE SHALL BE MAINTAINED. WHERE 2.4m MINIMUM DEPTH CANNOT BE ACHIEVED, THERMAL INSULATION SHALL BE PROVIDED AS PER OPSD 1109.030.
- IF THE WATERMAIN MUST BE DEFLECTED TO MEET ALIGNMENT, ENSURE THAT THE AMOUNT OF DEFLECTION USED IS EQUAL TO OR LESS THAN THAT WHICH IS RECOMMENDED BY THE MANUFACTURER.
- WATERMAIN THAT ARE 200mm DIAMETER OR LESS SHALL BE EQUIPPED WITH BUTTERFLY AND GATE VALVES AS PER OPSD 1100.011.
- ALL FIRE HYDRANTS, VALVE AND VALVE BOX SHALL CONFORM TO OPSD 1105.010.
- CONCRETE THRUST BLOCKS TO CONFORM TO OPSD 1103.010 AND OPSD 1103.020.
- REFER TO LANDSCAPE DRAWINGS FOR IRRIGATION SYSTEM REQUIREMENTS IF THERE ARE ANY.

STRUCTURE ID	TOP OF	STORM STRUCTURE TABLE						OUTLET	TYPE	
		STRUCTURE INFO			COVER					
	ELEVATION	INLET	INLET	INLET	OUTLET	SIZE	OPSD	DIAMETER		
CB01	92.50				91.42	600X600mm	OPSD 705.010	S19.1	250	HDPE
CB02	92.50			91.11	91.10	600X600mm	OPSD 705.010	S19.1	300	PVC SDR-35
CB03	92.50				91.10	600X600mm	OPSD 705.010	S19.1	200	PVC SDR-35
CB04	92.70				91.30	600X600mm	OPSD 705.010	S19.1	200	PVC SDR-35
CB05	92.50	90.95	90.95	90.90	90.90	600X600mm	OPSD 705.010	S19.1	200	PVC SDR-35
LD06	92.50		91.28	91.28	300mm DIA.	REFER TO DETAIL S30	REFER TO DETAIL S30	250	HDPE	
LD07	92.50		91.50	91.50	300mm DIA.	REFER TO DETAIL S30	REFER TO DETAIL S30	250	HDPE	
LD08	92.50		91.18	91.18	300mm DIA.	REFER TO DETAIL S30	REFER TO DETAIL S30	250	HDPE	
LD09	92.90			91.83	300mm DIA.	REFER TO DETAIL S31	REFER TO DETAIL S31	250	HDPE	
LD10	92.95		91.69	91.69	300mm DIA.	REFER TO DETAIL S30	REFER TO DETAIL S30	250	HDPE	
LD11	92.85		91.54	91.54	300mm DIA.	REFER TO DETAIL S30	REFER TO DETAIL S30	250	HDPE	
CBMH100	92.50	90.78	90.78	90.63	90.22	1200mm DIA.	OPSD 701.010	S28.1	375	PVC SDR-35
CBMH101	92.75	90.99	90.63	90.17	89.99	1200mm DIA.	OPSD 701.010	S28.1	600	CONC
STMH102	93.75			90.12	90.09	1200mm DIA.	OPSD 701.010	S24.1	600	CONC
STMH103	94.01	90.36	90.08	90.06	1500mm DIA.	OPSD 701.011	S24.1	600	CONC	
STMH104	94.07		90.05	89.83	1500mm DIA.	OPSD 701.011	S24.1	825	CONC	
STMH105	93.07	90.80	90.80	90.78	1200mm DIA.	OPSD 701.010	S24.1	300	PVC SDR-35	

STRUCTURE ID	TOP OF GRATE ELEVATION	SAN STRUCTURE TABLE			DESCRIPTION			
		INLET	INLET	OUTLET	SIZE	OPSD	COVER	
SANMH200	93.07			91.430	91.410	1200mm DIA.	OPSD-701.010	S24
SANMH201	93.82			91.180	91.120	1200mm DIA.	OPSD-701.010	S24

Pavement Layer	Compaction Requirements	Computed Pavement Structure		
		Light Duty Parking (Cars Only)	Light Duty Parking (Playground)	Heavy Duty (Access Roads)
Asphaltic Concrete	92-97 percent MRD	65mm HL3/SP12.5 mm/Cat.B (PG 58-34)	50mm HL3/SP12.5 Cat.B (PG 58-34)	50mm HL3/SP12.5 Cat.B 60mm HL8/SP19 Cat.B (PG 64-28)
OPSS 1010 Granular A Base (crushed limestone)	100 percent SPMD	150mm	150mm	150mm
OPSS 1010 Granular B Type II Sub-base	100 percent SPMD	300mm	200mm	450mm

STATION	DESCRIPTION	FINISHED GRADE		TOP OF WATERMAIN	COVER
		INLET	OUTLET		
200mm WATERMAIN SERVICE (0+000)					
0+000.00	Connect to EX.250mm DIA. Watermain	93.81	91.410	2.40	
0+000.29	45° Bend	93.81	91.410	2.40	
0+001.20	45° Bend	93.94	91.540	2.40	
0+089.72	45° Bend	93.25	90.850	2.40	
0+091.59	45° Bend	93.19	90.790	2.40	
0+096.10	45° Bend	93.27	90.870	2.40	
0+096.89	45° Bend	93.28	90.880	2.40	
0+098.00	Connect to proposed building	93.30	90.900	2.40	
200mm WATERMAIN SERVICE (1+000)					
1+000.00	Connect to EX.250mm DIA. Watermain	92.87	90.470	2.40	
1+008.00	200mm VB	93.21	90.810	2.40	
1+015.91	200x200x200mm Tee Connection	93.28	90.880	2.40	
1+017.00	Connect to proposed building	93.30	90.900	2.40	

EXISTING LEGEND

- EXISTING CURB
- EXISTING CENTERLINE OF ROAD
- EXISTING TOP OF SLOPE
- EXISTING BOTTOM OF SLOPE
- EXISTING POWER HYDRO
- EXISTING BELL
- EXISTING STORM SEWER
- EXISTING SANITARY SEWER
- EXISTING WATERMAIN
- EXISTING STORM SEWER (SIZE OVER 1000mmØ)
- EXISTING CATCH BASIN
- EXISTING SANITARY MANHOLE
- EXISTING STORM MANHOLE
- EXISTING WATER VALVE
- EXISTING FIRE HYDRANT
- EXISTING LIGHT POLE
- EXISTING SEWER FLOW DIRECTION

REMOVAL LEGEND

- CURB REMOVAL
- STORM SERVICE REMOVAL
- CONCRETE SIDEWALK REMOVAL
- ASPHALT PAVEMENT REMOVAL

ESC LEGEND

- FILTER CLOTH PROTECTION
- SILT FENCE
- MUT MAT

DRAINAGE AREA LEGEND

- DRAINAGE AREA SYMBOL
- DRAINAGE AREA BOUNDARY

PROPOSED LEGEND

- PROPOSED CURB
- PROPERTY LINE
- PROPOSED TOP OF SLOPE
- PROPOSED SWALE
- PROPOSED FENCE
- PROPOSED STORM SEWER
- PROPOSED SANITARY SEWER
- PROPOSED WATERMAIN
- PROPOSED SUB DRAIN
- 100YR PONDING LIMIT
- PROPOSED CATCH BASIN
- PROPOSED STORM MANHOLE (1200mmØ)
- PROPOSED STORM MANHOLE (1500mmØ)
- PROPOSED CATCH BASIN MANHOLE
- PROPOSED SANITARY MANHOLE
- PROPOSED LANDSCAPE DRAIN
- PROPOSED WATER VALVE
- PROPOSED TEE CONNECTION
- PROPOSED 45° BEND
- PROPOSED FIRE HYDRANT
- PROPOSED BUILDING
- LIGHT DUTY PAVEMENT
- HEAVY DUTY PAVEMENT
- CONCRETE PAVEMENT
- ENGINEERED WOOD FIBER
- PROPOSED ELEVATION
- PROPOSED TOP OF CURB ELEVATION
- PROPOSED SWALE ELEVATION
- TIE-IN TO EXISTING ELEVATION
- PROPOSED SLOPE
- OVERLAND FLOW DIRECTION


GERALDINE WILDMAN
MANAGER, DEVELOPMENT REVIEW SOUTH
PLANNING, DEVELOPMENT AND BUILDING SERVICES
DEPARTMENT, CITY OF OTTAWA

APPROVED
 By wildmange at 9:38 am, Apr 27, 2026



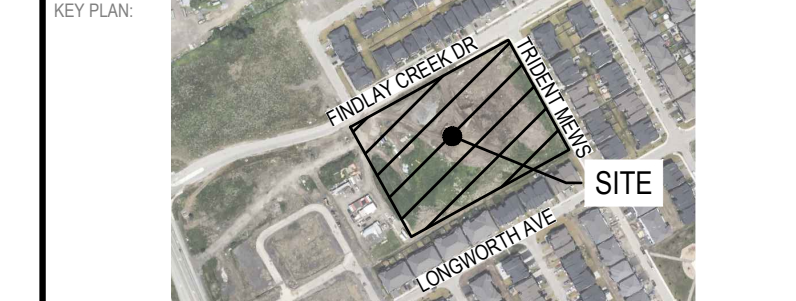
EDWARD J. CUHACI & ASSOCIATES ARCHITECTS Inc.
 171 Slater St., Suite 100, Ottawa, Ontario, K1P 5H7
 Fax: (613) 238-1944 Telephone: (613) 238-1733 Email: info@edwardcu.com



300-2611 QUEENSWAY DRIVE
 OTTAWA ONTARIO CANADA, K2B 8K2
 TEL: 1-613-826-2800 | FAX: 1-613-826-2399 | WWW.WSPGROUP.COM

CECCE LEITRIM ELEMENTARY SCHOOL

3290 FINLAY CREEK
 OTTAWA, ON
 CONSEIL DES ÉCOLES CATHOLIQUES DU
 CENTRE-EST 4000, RUE LABELLE,
 OTTAWA, ON K1J 1A1

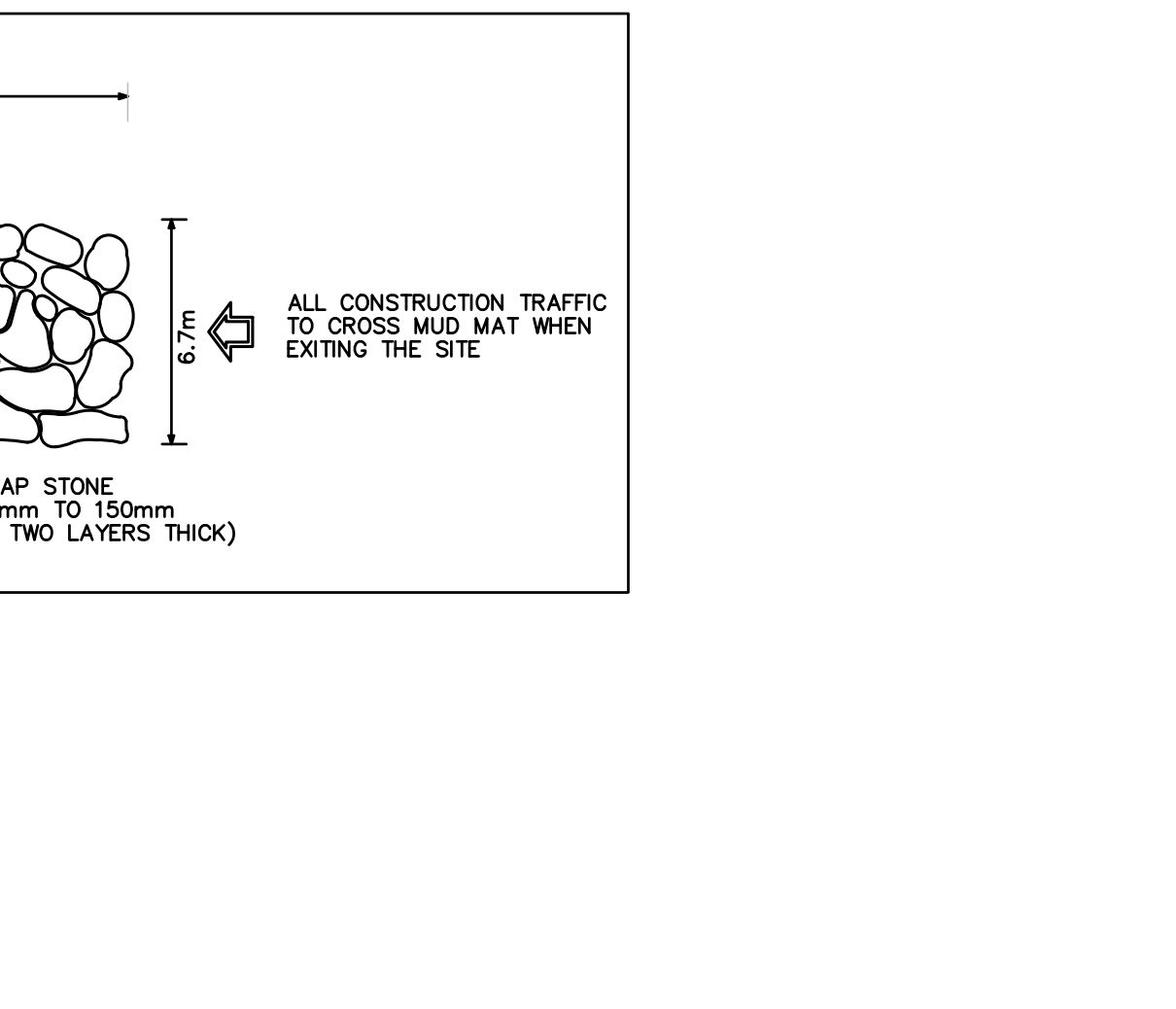
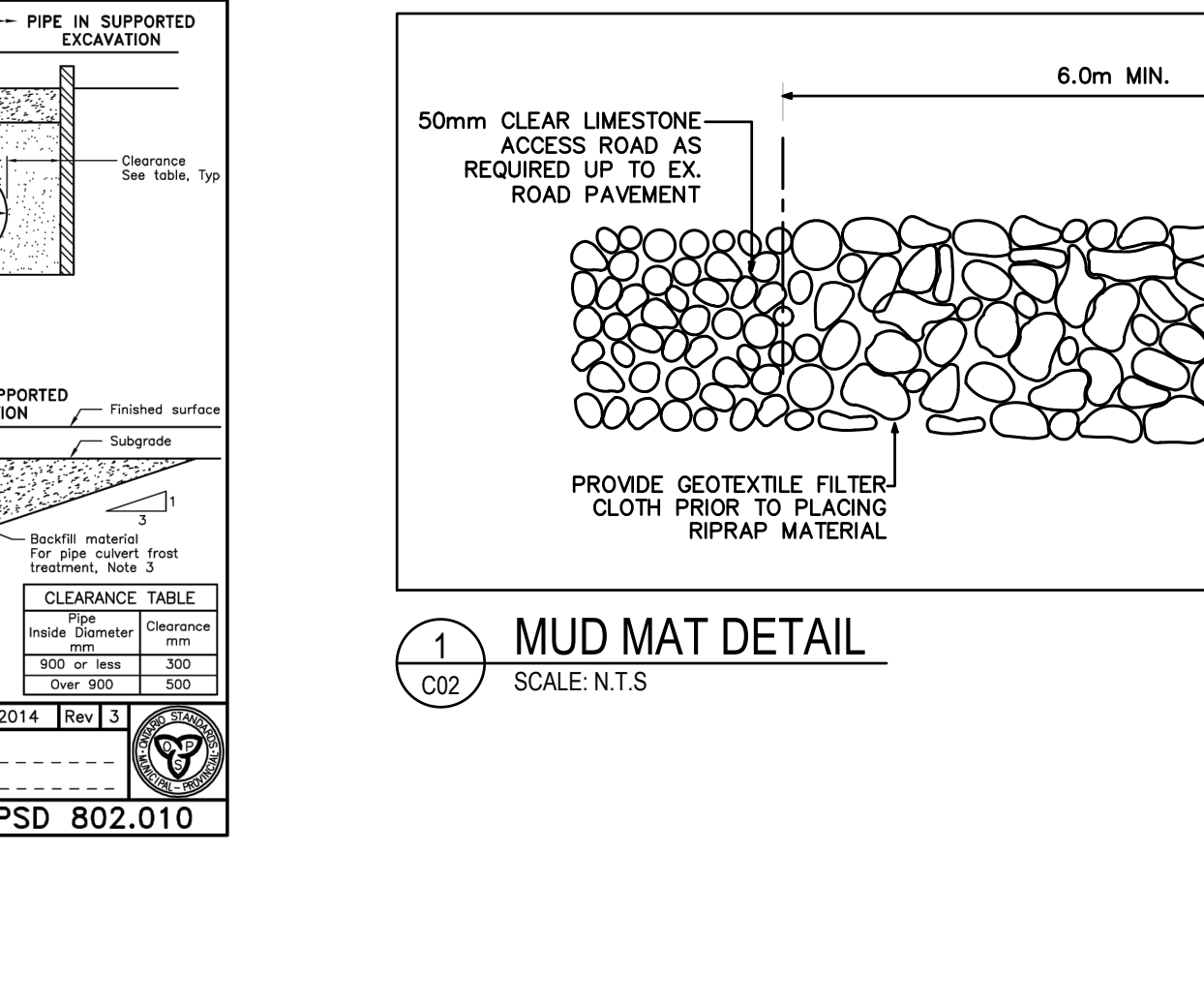
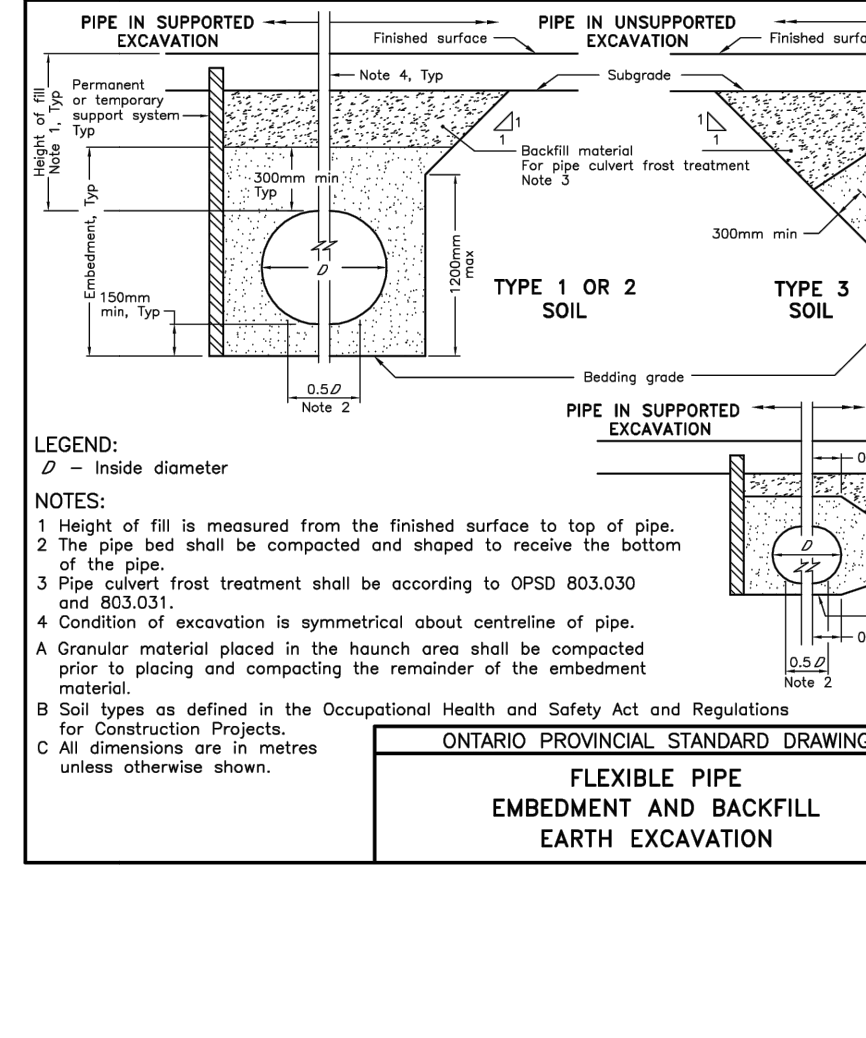
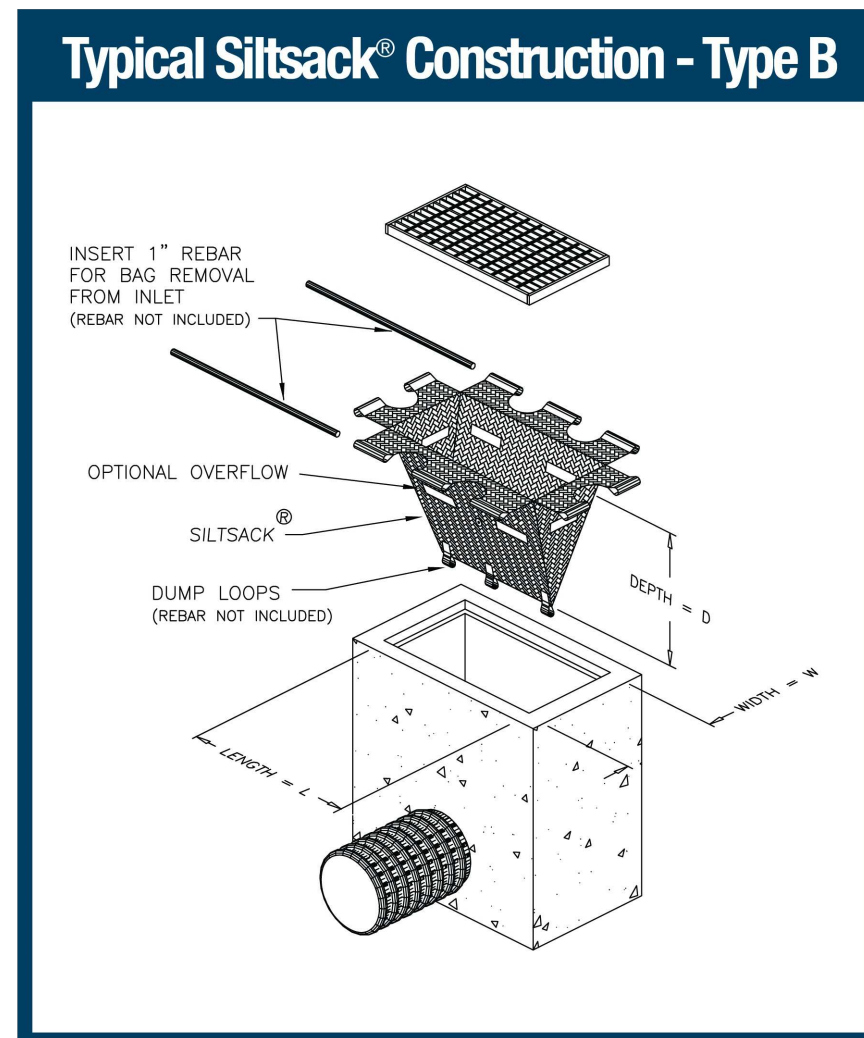
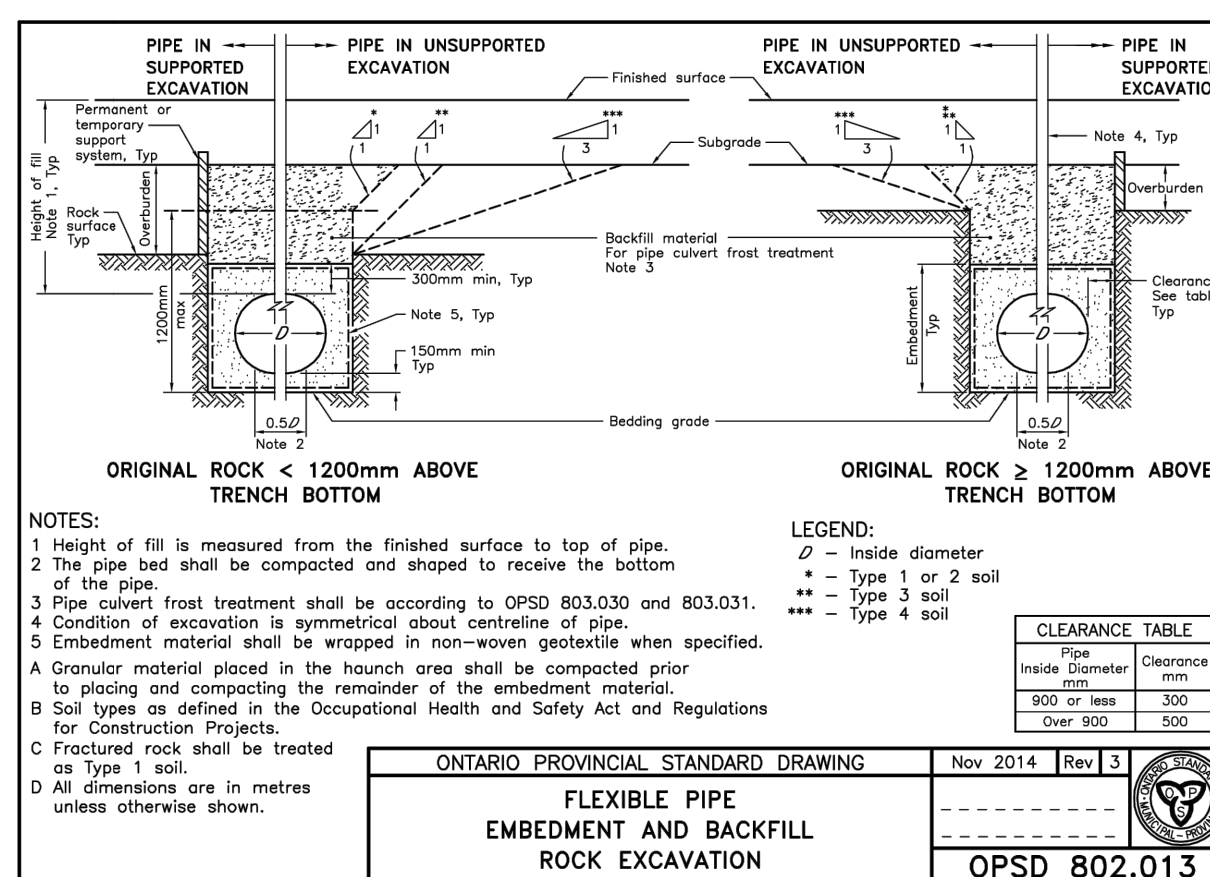
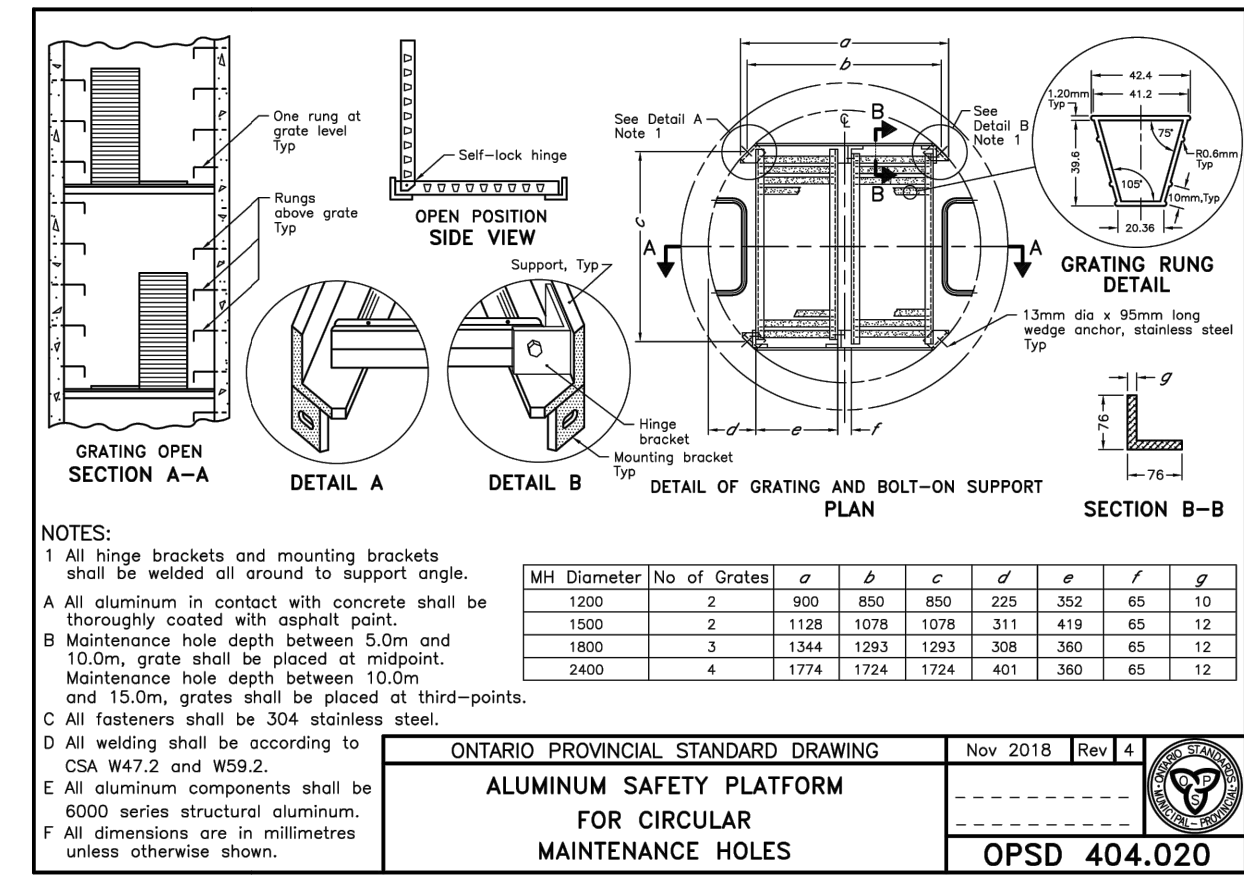
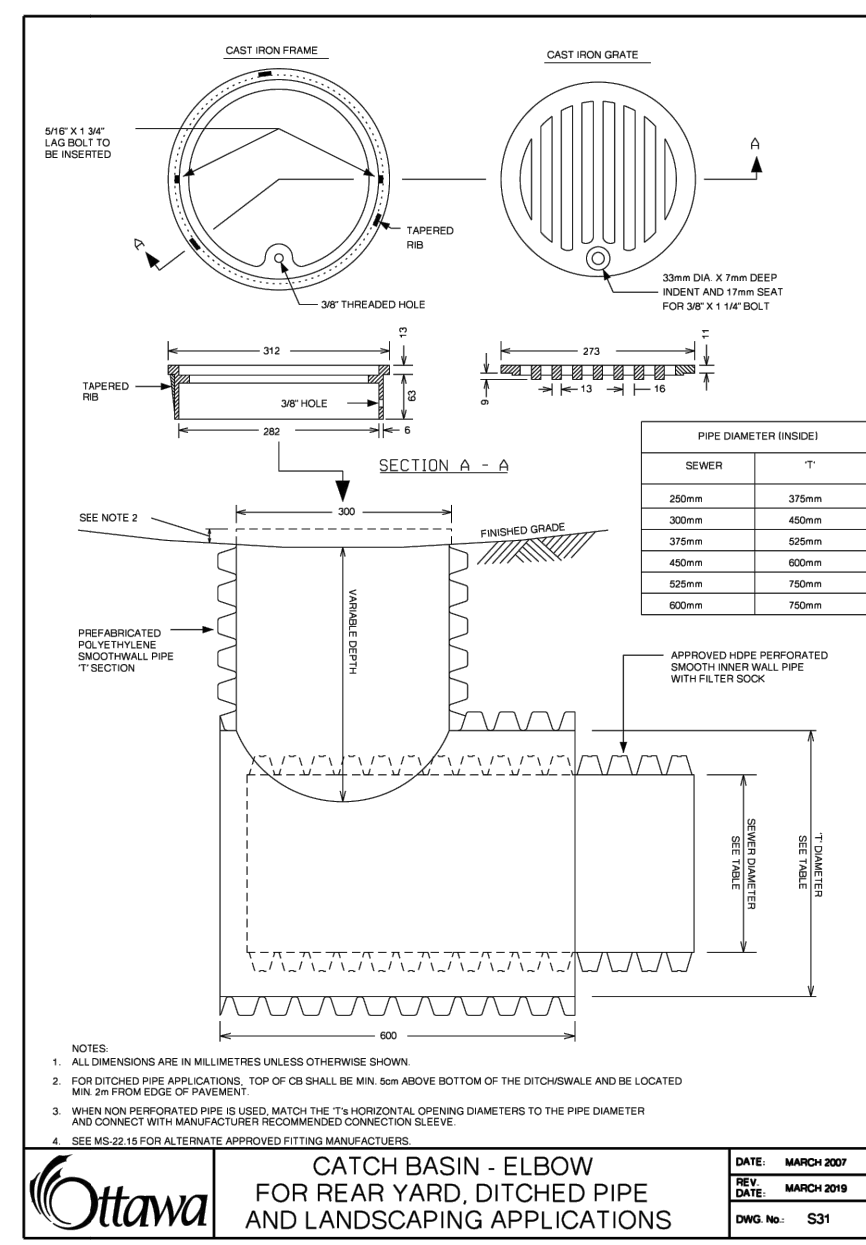
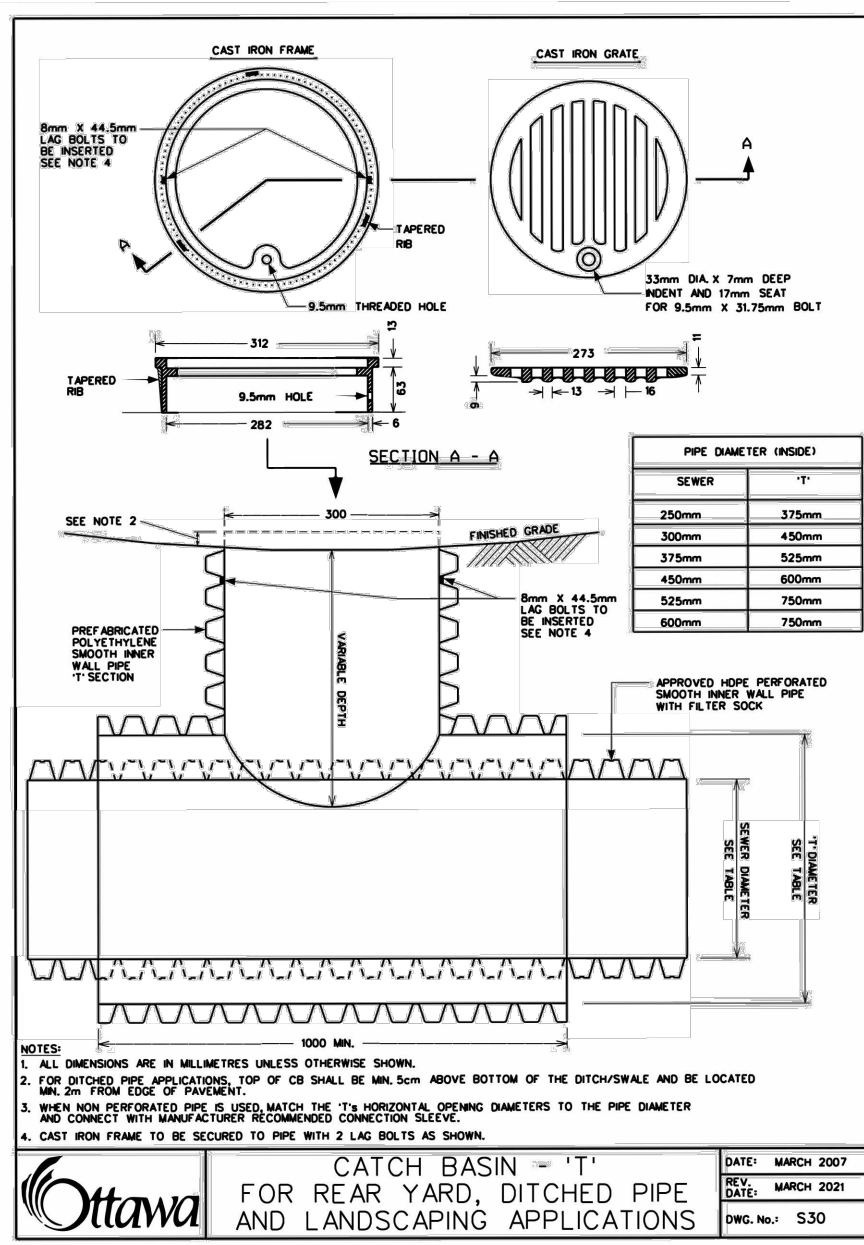
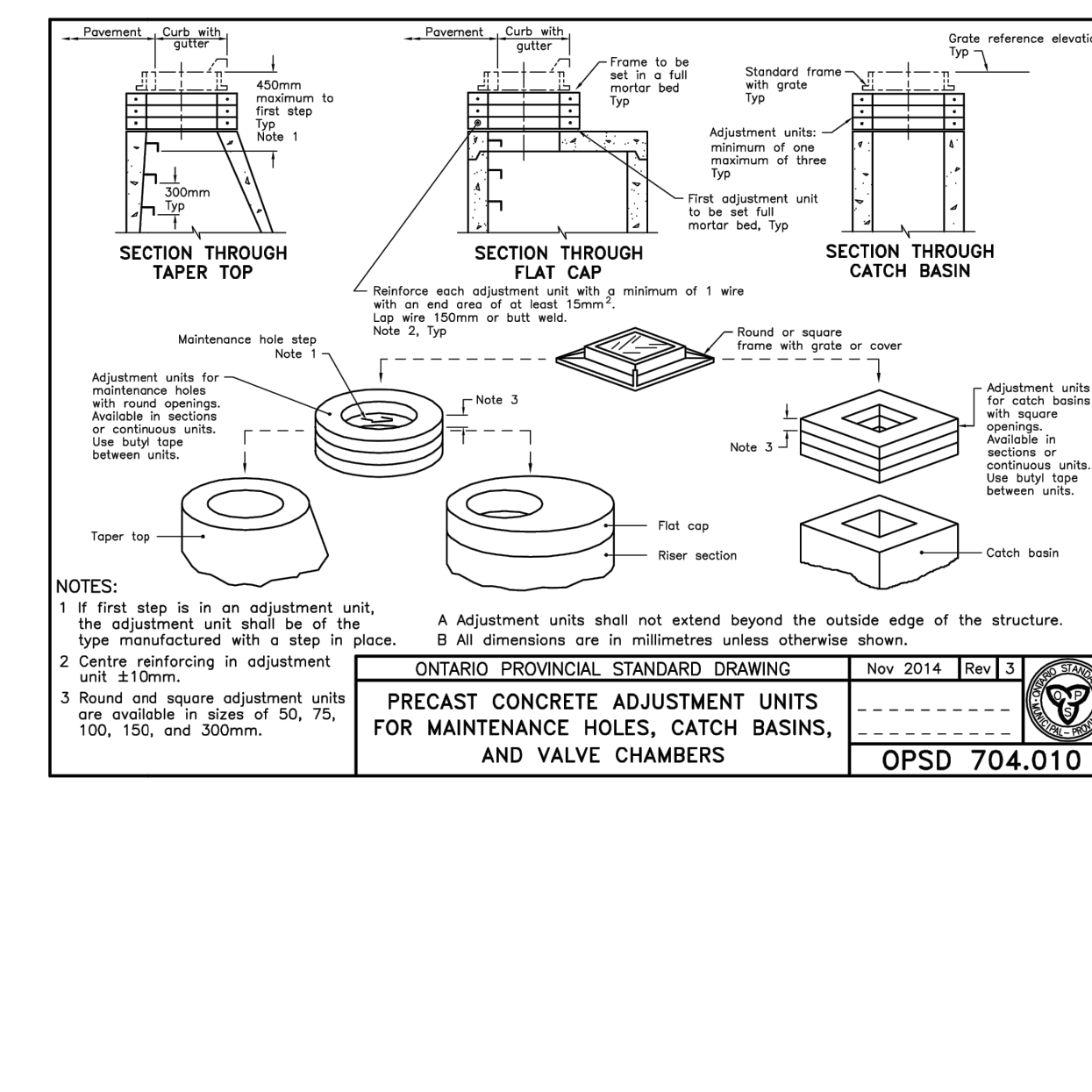
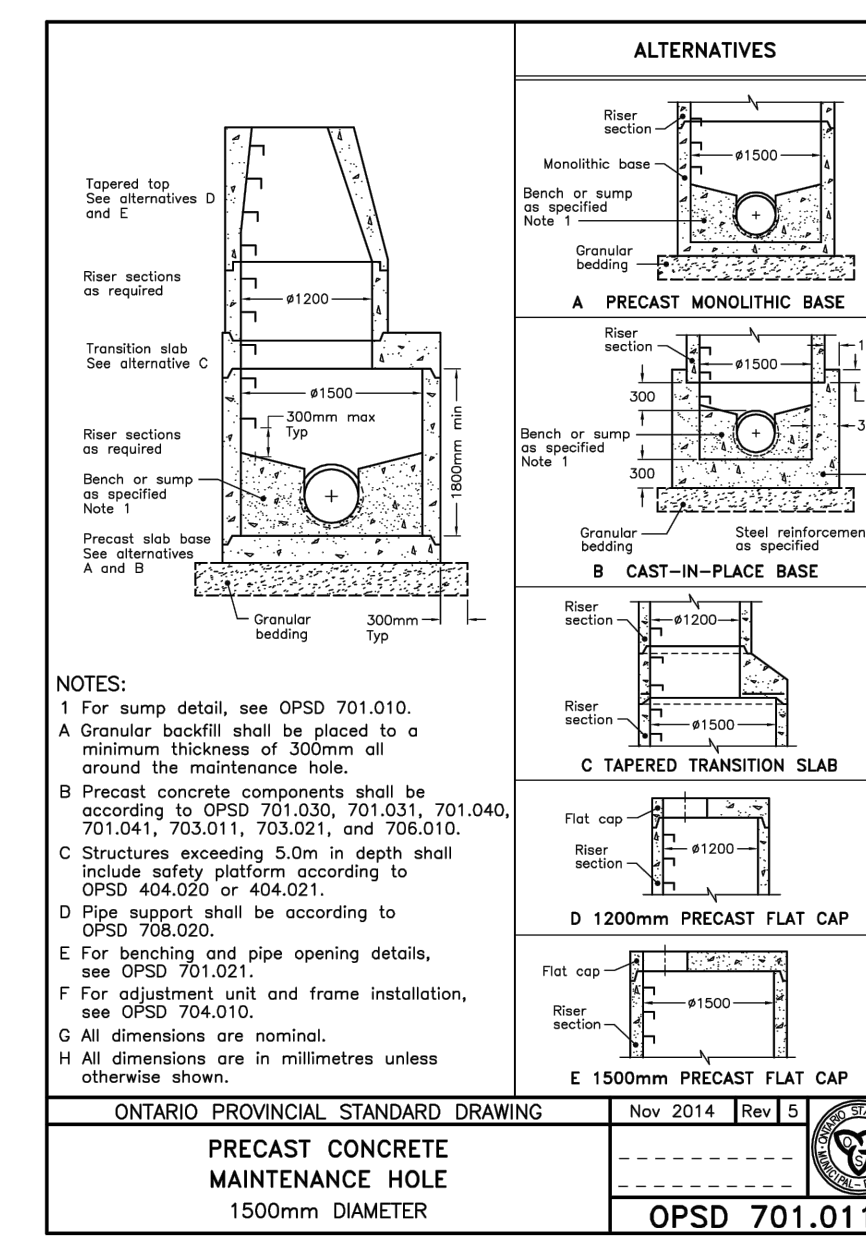
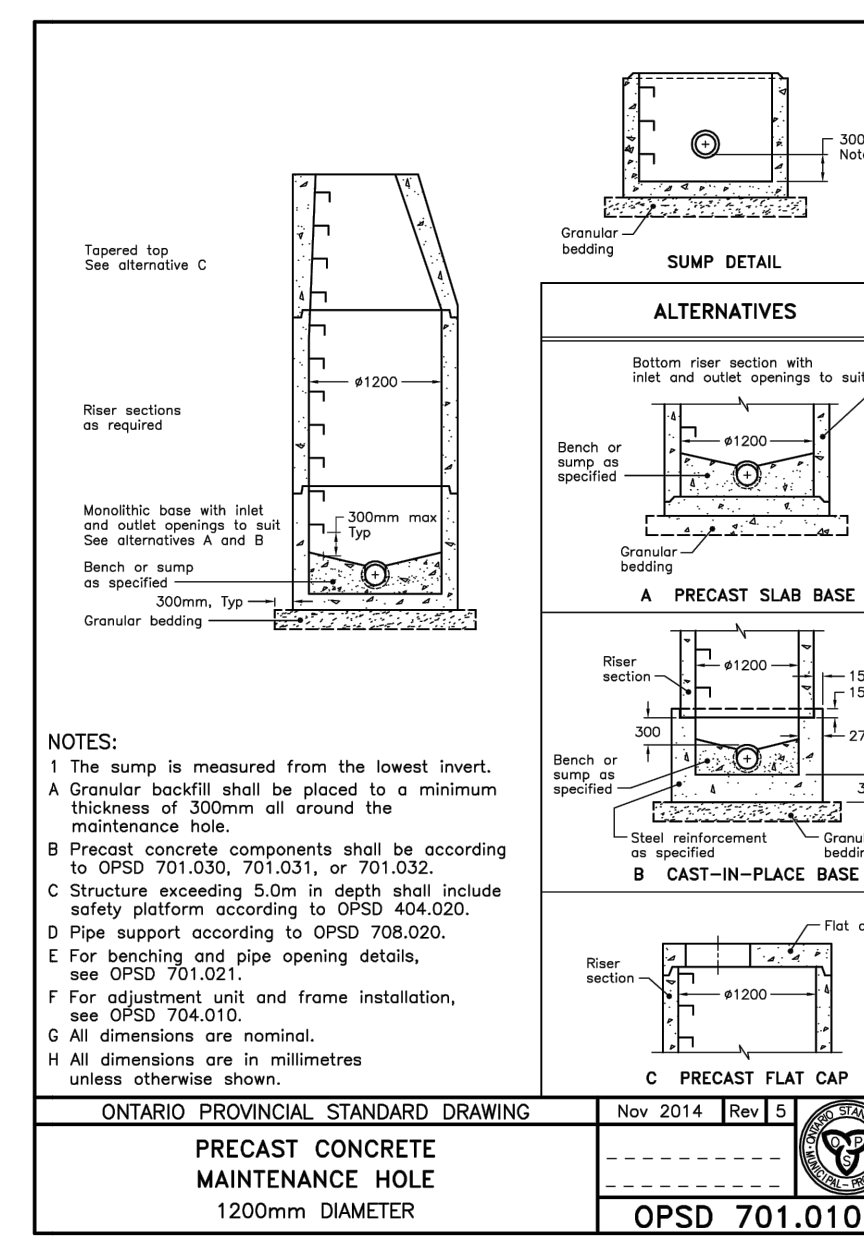
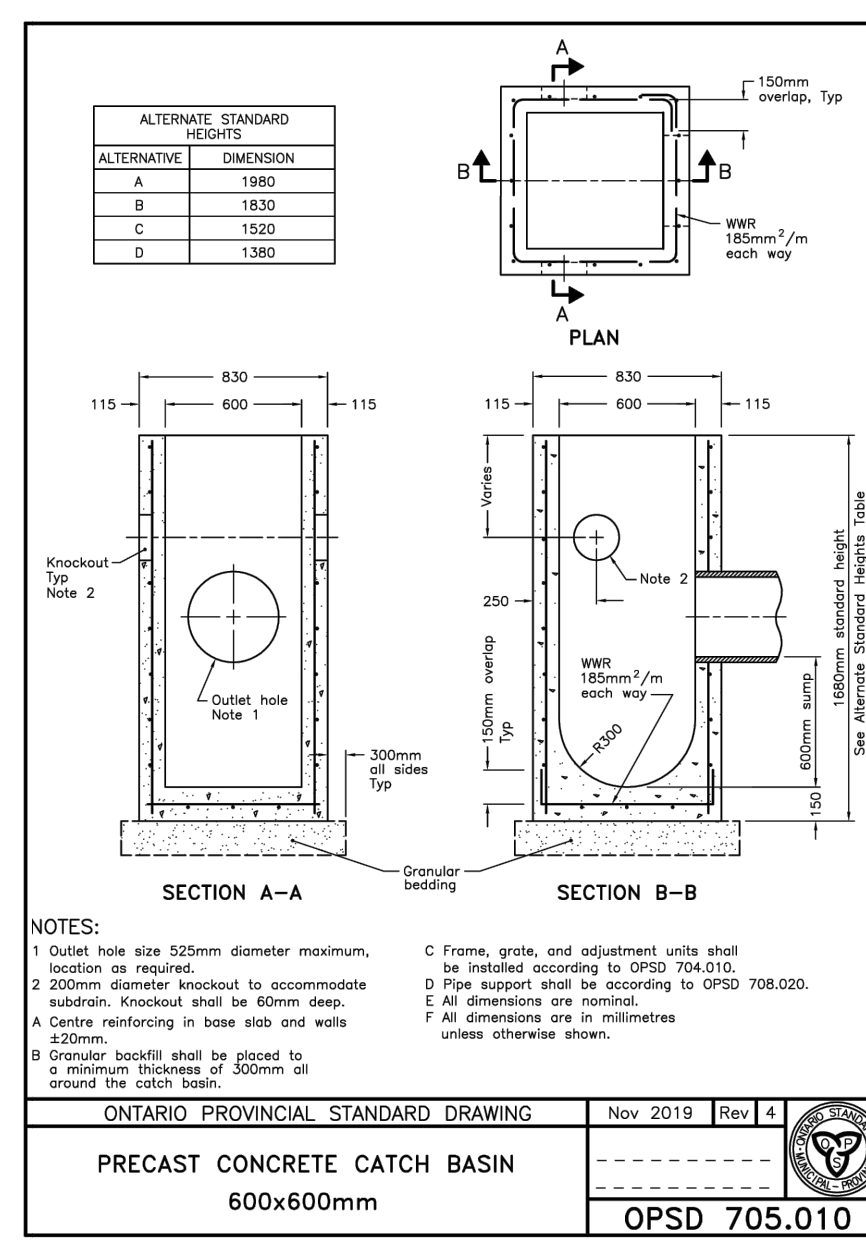
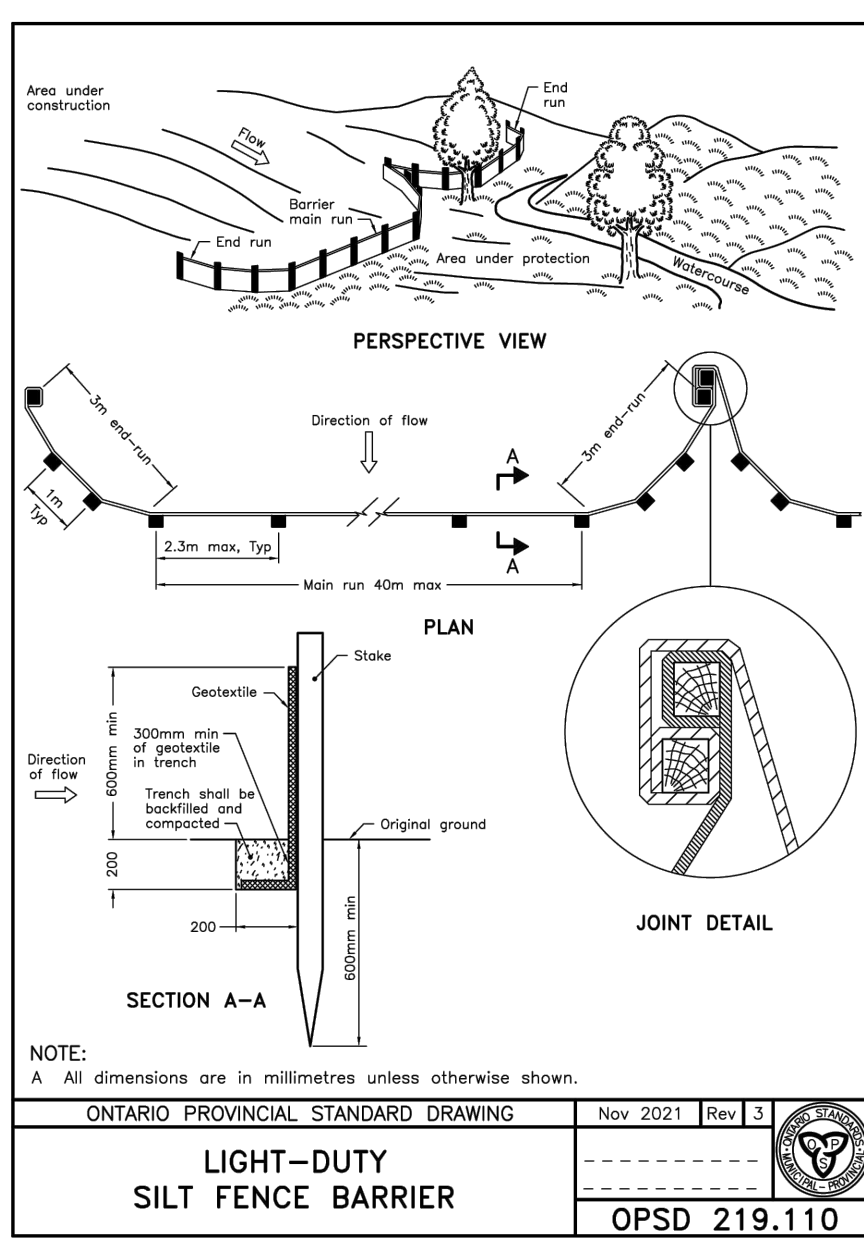


DISCLAIMER: THIS DRAWING AND DESIGN IS COPYRIGHT PROTECTED WHICH SHALL NOT BE USED, REPRODUCED OR REUSED WITHOUT WRITTEN PERMISSION BY WSP. THE CONTRACTOR SHALL CHECK AND VERIFY ALL DIMENSIONS AND UTILITY LOCATIONS AND REPORT ALL ERRORS AND OMISSIONS PRIOR TO COMMENCING WORK. THIS DRAWING IS NOT TO BE SCALED.
REMARKS: BEARING ARE GRID DERIVED FROM SOUTHERLY LIMIT OF BLOCK 224 REGISTERED PLAN 484-1624 SHOWN TO BE N80°24'07" AND ARE REFERRED TO THE CENTRAL MERIDIAN OF 1984 ZONE 18N 83° WEST LONGITUDE 844300 (ORIGINAL). BENCHMARK #1 N 502094.33 @ 270°07' @ 2.95.00 BENCHMARK #2 N 502093.41 @ 270°07' @ 2.94.31
 NORTHING: _____

ISSUED FOR - REVISION	NO.	DATE	DESCRIPTION
	1	2026-02-11	REVISED PER CITY COMMENTS
	1	2025-12-05	ISSUED FOR SPA

PROJECT NO: CA0058595.7884	DATE: 2026-02-11
DESIGNED BY: A.Z.	DATE:
DRAWN BY: J.T.	DATE:
CHECKED BY: A.Z.	DATE:
DISCIPLINE: CIVIL	

TITLE: NOTES AND LEGEND
SHEET NUMBER: C01
SHEET # OF: 2
ISSUE: REVISED PER CITY COMMENTS
DATE OF: 2026-02-11



G. Wildman

GERALDINE WILDMAN
MANAGER, DEVELOPMENT REVIEW SOUTH
PLANNING, DEVELOPMENT AND BUILDING SERVICES
DEPARTMENT, CITY OF OTTAWA

APPROVED
By wildmange at 9:38 am, Apr 27, 2026

CLIENT: **Écoles catholiques Centre-Est**

CLIENT REF. #: **EDWARD J CUHACI & ASSOCIATES ARCHITECTS Inc.**
171 Slater St, Suite 100, Ottawa, Ontario, K1P 5H7
Tel: (613) 236-1944 Telephone: (613) 236-1735 E-mail: info@edwardjcuhaci.com

ARCHITECT: **WSP**

300-2611 QUEENSWAY DRIVE
OTTAWA ONTARIO CANADA K2B 8K2
TEL: 1-613-826-2800 | FAX: 1-613-826-8299 | WWW.WSPGROUP.COM

PROJECT: **CECCE LEITRIM ELEMENTARY SCHOOL**

3290 FINLAY CREEK
OTTAWA, ON

CONSEIL DES ÉCOLES CATHOLIQUES DU CENTRE-EST 4000, RUE LABELLE, OTTAWA, ON K1J 1A1

KEY PLAN:

SEAL:

NOT VALID UNLESS SIGNED AND DATED

DISCLAIMER: THIS DRAWING AND DESIGN IS COPYRIGHT PROTECTED WHICH SHALL NOT BE USED, REPRODUCED OR REPRODUCED WITHOUT WRITTEN PERMISSION BY WSP. THE CONTRACTOR SHALL CHECK AND VERIFY ALL DIMENSIONS AND UTILITY LOCATIONS AND REPORT ALL ERRORS AND OMISSIONS PRIOR TO COMMENCING WORK. THIS DRAWING IS NOT TO BE SCALED.

REVISIONS:

NO.	DATE	DESCRIPTION
1	2026-02-11	REVISED PER CITY COMMENTS
1	2025-12-05	ISSUED FOR SPA

PROJECT NO: CA0058595.7684 DATE: 2026-02-11

DESIGNED BY: A.Z. DRAWN BY: J.T. CHECKED BY: A.Z.

DISCIPLINE: CIVIL

TITLE: DETAILS

SHEET NUMBER: C02

SHEET # OF: 2

ISSUE: REVISED PER CITY COMMENTS

DATE OF: 2026-02-11

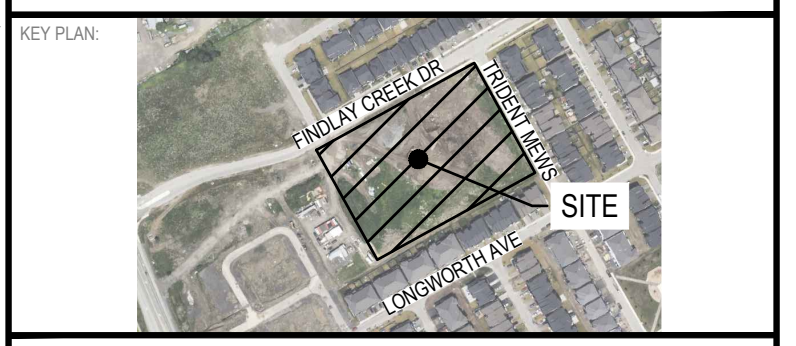


300-2611 QUEENSWAY DRIVE
 OTTAWA ONTARIO CANADA K2B 8K2
 TEL: 1-613-829-2800 | FAX: 1-613-829-6299 | WWW.WSPGROUP.COM

PROJECT:
CECCE LEITRIM ELEMENTARY SCHOOL

3290 FINLAY CREEK
 OTTAWA, ON

CONSEIL DES ÉCOLES CATHOLIQUES DU CENTRE-EST 4000, RUE LABELLE, OTTAWA, ON K1J 1A1



NOT VALID UNLESS SIGNED AND DATED

DISCLAIMER: THIS DRAWING AND DESIGN IS COPYRIGHTED PROTECTED WHICH SHALL NOT BE USED, REPRODUCED OR REPRODUCED WITHOUT WRITTEN PERMISSION BY WSP. THE CONTRACTOR SHALL CHECK AND VERIFY ALL DIMENSIONS AND UTILITY LOCATIONS AND REPORT ALL ERRORS AND OMISSIONS PRIOR TO COMMENCING WORK. THIS DRAWING IS NOT TO BE SCALED.

BEARING NOTE: BEARINGS ARE GRID DERIVED FROM SOUTHERLY LIMIT OF BLOCK 224 REGISTERED PLAN 484-1624 SHOWN TO BE N69°24'20"E AND ARE REFERRED TO THE CENTRAL MERIDIAN OF THE ZONE 18°30' WEST LONGITUDE (NAD 83 ORIGINAL). BENCHMARK #1 N 502094.33 E 370979.61 Z 95.08 BENCHMARK #2 N 502093.41 E 370979.61 Z 94.91

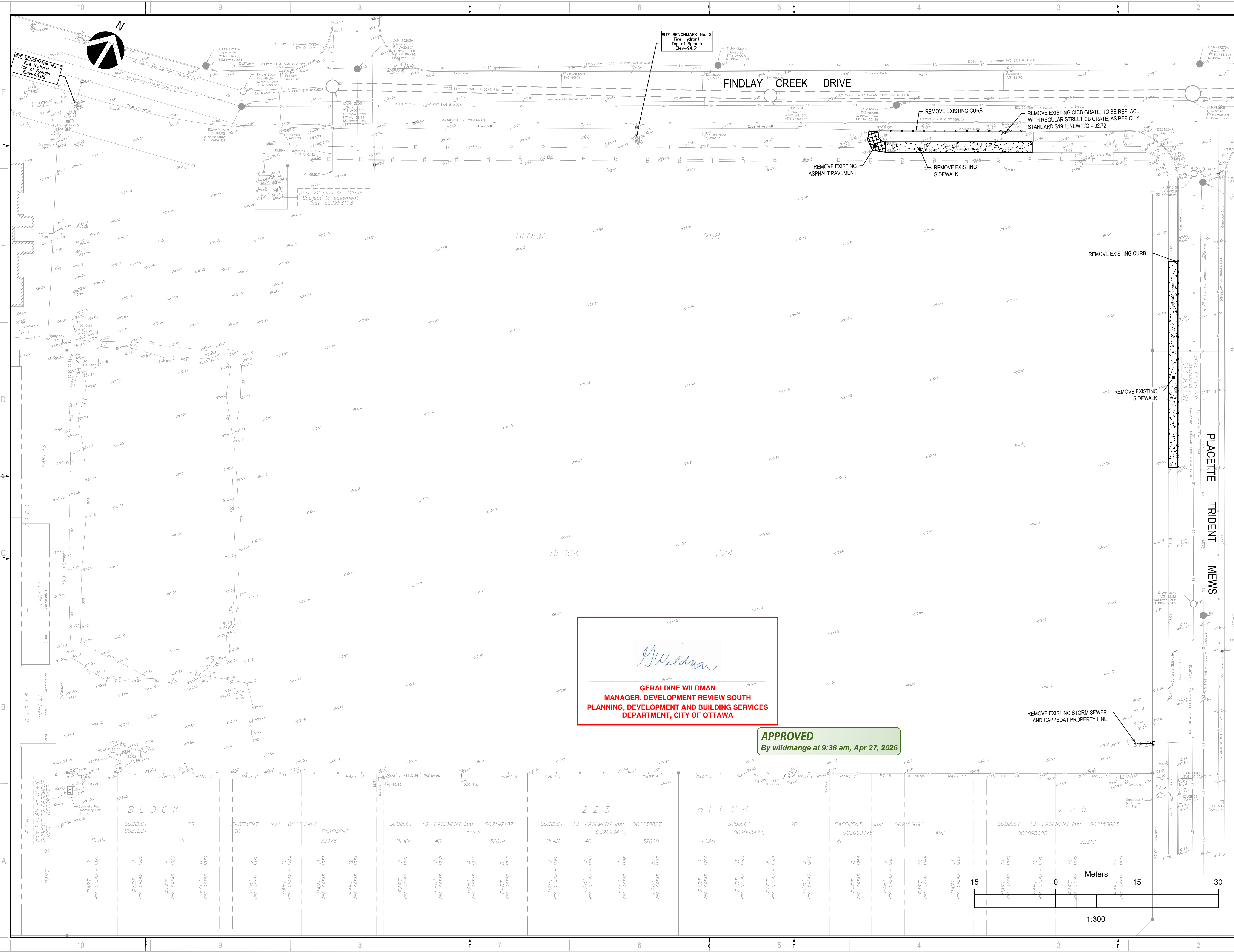
NORTHING:

ISSUED FOR - REVISION	DATE	DESCRIPTION
1	2026-02-11	REVISED PER CITY COMMENTS
1	2025-12-05	ISSUED FOR SPA

IS	RE	DATE	DESCRIPTION
1		2026-02-11	REVISED PER CITY COMMENTS
1		2025-12-05	ISSUED FOR SPA

PROJECT NO:	CA0058695.7684	DATE:	2026-02-11
ORIGINAL SCALE:	1:300	IF THIS BAR IS NOT 25mm LONG, ADJUST YOUR PLOTTING SCALE.	
DESIGNED BY:	A.Z.		
DRAWN BY:	J.T.		
CHECKED BY:	A.Z.		
DISCIPLINE:	CIVIL		
TITLE:	REMOVAL PLAN		

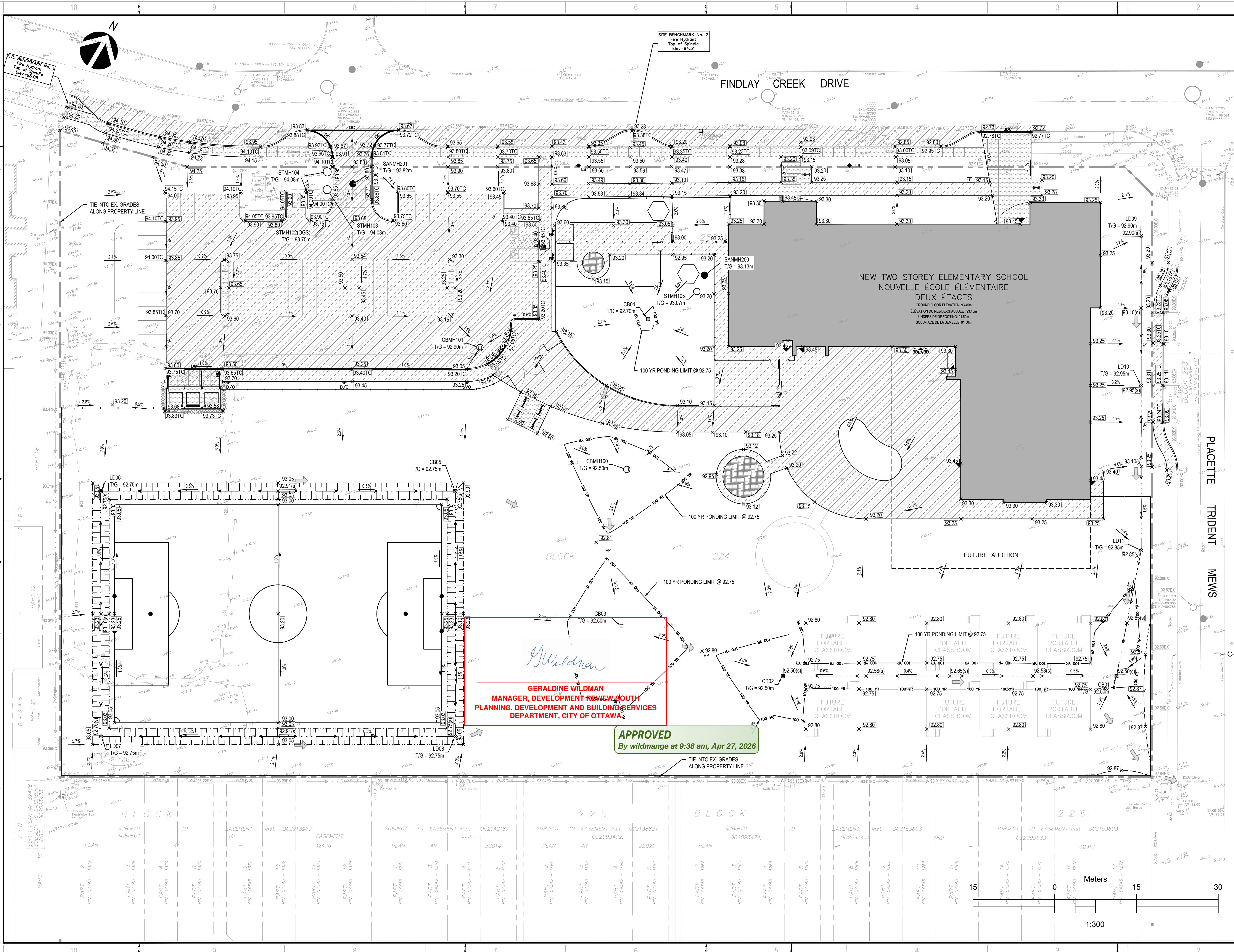
SHEET NUMBER:	C03		
SHEET #:	OF	REV #	2
ISSUE:	REVISED PER CITY COMMENTS		
DATE OF:	2026-02-11		



G. Wildman

GERALDINE WILDMAN
 MANAGER, DEVELOPMENT REVIEW SOUTH
 PLANNING, DEVELOPMENT AND BUILDING SERVICES
 DEPARTMENT, CITY OF OTTAWA

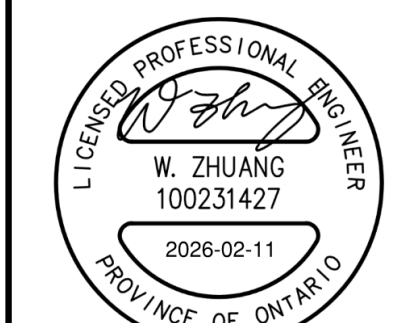
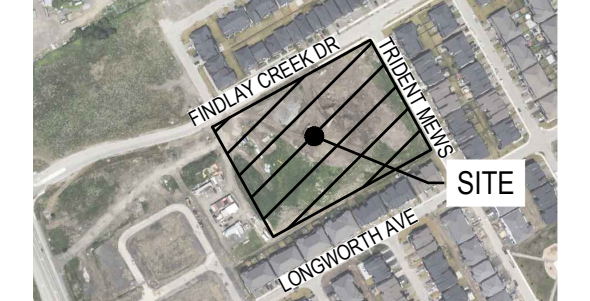
APPROVED
 By wildmange at 9:38 am, Apr 27, 2026



300-2611 QUEENSWAY DRIVE
 OTTAWA ONTARIO CANADA K2B 8K2
 TEL: 1-613-828-2800 FAX: 1-613-828-6299 WWW.WSPGROUP.COM

PROJECT:
CECCE LEITRIM ELEMENTARY SCHOOL

3290 FINLAY CREEK
 OTTAWA, ON
 CONSEIL DES ÉCOLES CATHOLIQUES DU CENTRE-EST 4000, RUE LABELLE, OTTAWA, ON K1J 1A1



NOT VALID UNLESS SIGNED AND DATED
 THIS DRAWING AND DESIGN IS COPYRIGHT PROTECTED WHICH SHALL NOT BE USED, REPRODUCED OR PHOTOCOPIED WITHOUT WRITTEN PERMISSION BY WSP. THE CONTRACTOR SHALL CHECK AND VERIFY ALL DIMENSIONS AND UTILITY LOCATIONS AND REPORT ALL ERRORS AND OMISSIONS PRIOR TO COMMENCING WORK.
 THIS DRAWING IS NOT TO BE SCALED.
 BEARING NOTE:
 BEARINGS ARE GRID DERIVED FROM SOUTHERLY LIMIT OF BLOCK 224 REGISTERED PLAN 484-1624 SHOWN TO BE NIP 24270E AND ARE REFERRED TO THE CENTRAL MERIDIAN 87 WPM ZONE 18 50' 30" WEST LONGITUDE HAS 93 ORIGINAL BENCHMARK #1 N 502084.33 E 370978.61 Z 235.08 BENCHMARK #2 N 502083.41 E 370978.61 Z 241.31

ISSUED FOR - REVISION	DATE	DESCRIPTION
1	2026-02-11	REVISED PER CITY COMMENTS
1	2025-12-05	ISSUED FOR SPA

PROJECT NO:	DATE:
CA0058695.7684	2026-02-11

ORIGINAL SCALE: 1:300
 DESIGNED BY: A.Z.
 DRAWN BY: J.T.
 CHECKED BY: A.Z.
 DISCIPLINE: CIVIL

TITLE:	SHEET NUMBER:	SHEET # OF	ISSUE:	REV #
GRADING PLAN	C04	2	REVISED PER CITY COMMENTS	2

G. Wildman
GERALDINE WILDMAN
 MANAGER, DEVELOPMENT AND BUILDING SOUTH
 PLANNING, DEVELOPMENT AND BUILDING SERVICES
 DEPARTMENT, CITY OF OTTAWA

APPROVED
 By wildmange at 9:38 am, Apr 27, 2026

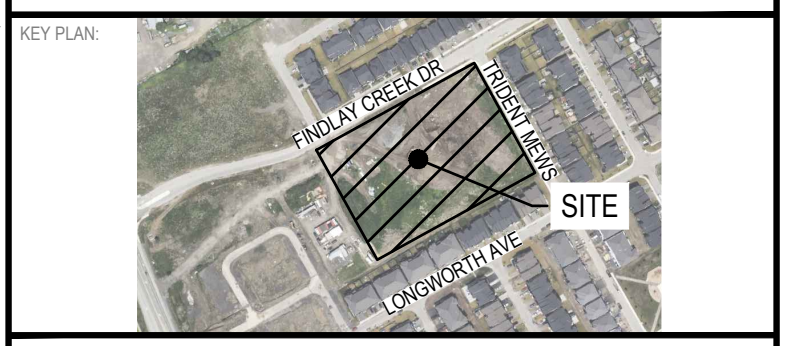


300-2611 QUEENSWAY DRIVE
OTTAWA ONTARIO CANADA K2B 8K2
TEL: 1-613-829-2800 | FAX: 1-613-829-6299 | WWW.WSPGROUP.COM

PROJECT: **CECCE LEITRIM ELEMENTARY SCHOOL**

3290 FINLAY CREEK
OTTAWA, ON

CONSEIL DES ÉCOLES CATHOLIQUES DU CENTRE-EST 4000, RUE LABELLE, OTTAWA, ON K1J 1A1



NOT VALID UNLESS SIGNED AND DATED
DISCLAIMER: THIS DRAWING AND DESIGN IS COPYRIGHT PROTECTED WHICH SHALL NOT BE USED, REPRODUCED OR REPRODUCED WITHOUT WRITTEN PERMISSION BY WSP. THE CONTRACTOR SHALL CHECK AND VERIFY ALL DIMENSIONS AND UTILITY LOCATIONS AND REPORT ALL ERRORS AND OMISSIONS PRIOR TO COMMENCING WORK. THIS DRAWING IS NOT TO BE SCALED.

BEARING NOTE: BEARINGS ARE GRID, DERIVED FROM SOUTHERLY LIMIT OF BLOCK 224 REGISTERED PLAN 484-1624 SHOWN TO BE N69°24'07" AND ARE REFERRED TO THE CENTRAL MERIDIAN OF THE ZONE #18U30 WEST LONGITUDE HAS 93 (ORIGINAL). BENCHMARK #1 N-502094.33 E 370979.61 Z 95.08 BENCHMARK #2 N-502093.41 E 370979.61 Z 94.91

NORTHING:

ISSUED FOR - REVISION	DATE	DESCRIPTION
1	2026-02-11	REVISED PER CITY COMMENTS
1	2025-12-05	ISSUED FOR SPA

PROJECT NO:	DATE
CA0058595.7684	2026-02-11

ORIGINAL SCALE:	DATE
1:300	IF THIS BAR IS NOT 25mm LONG, ADJUST YOUR PLOTTING SCALE.

DESIGNED BY:	DATE
A.Z.	2026-02-11

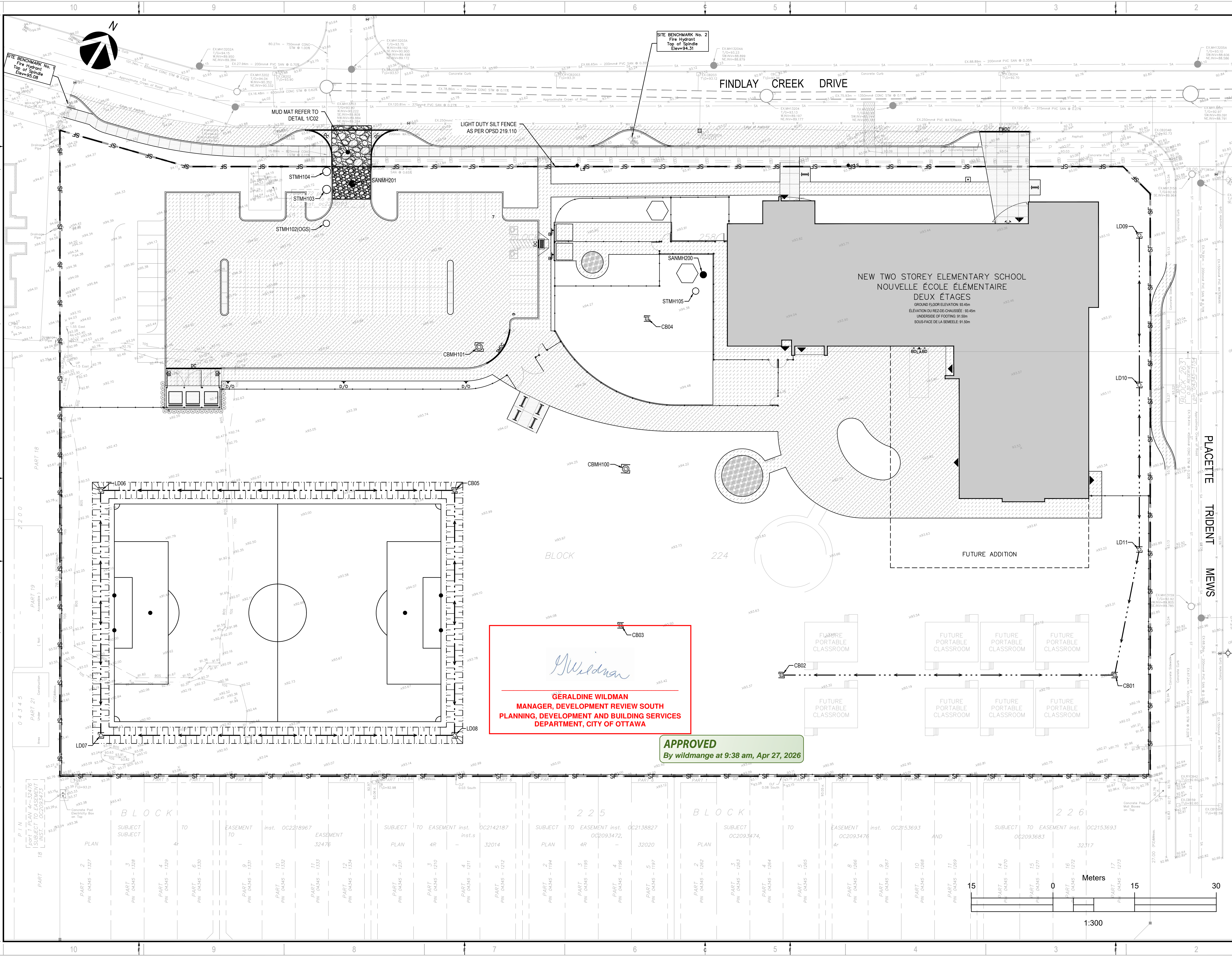
DISCIPLINE: CIVIL

TITLE: **EROSION AND SEDIMENT CONTROL PLAN**

SHEET NUMBER: **C06**

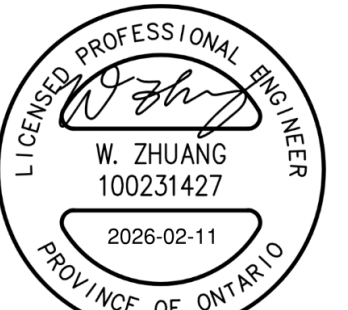
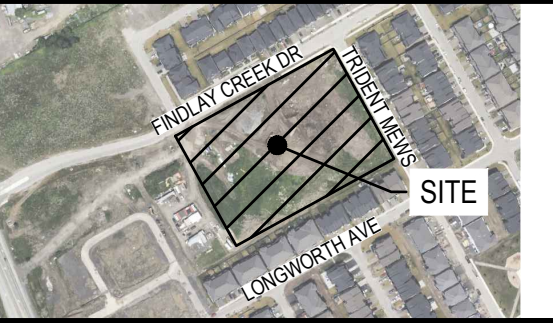
ISSUE: **REVISED PER CITY COMMENTS**

DATE OF: 2026-02-11



G. Wildman
GÉRALDINE WILDMAN
MANAGER, DEVELOPMENT REVIEW SOUTH
PLANNING, DEVELOPMENT AND BUILDING SERVICES
DEPARTMENT, CITY OF OTTAWA

APPROVED
By wildmange at 9:38 am, Apr 27, 2026



NOT VALID UNLESS SIGNED AND DATED

DISCLAIMER: THIS DRAWING AND DESIGN IS COPYRIGHTED PROTECTED WHICH SHALL NOT BE USED, REPRODUCED OR PUBLISHED WITHOUT WRITTEN PERMISSION BY WSP. THE CONTRACTOR SHALL CHECK AND VERIFY ALL DIMENSIONS AND UTILITY LOCATIONS AND REPORT ALL ERRORS AND OMISSIONS PRIOR TO COMMENCING WORK. THIS DRAWING IS NOT TO BE SCALED.

BEARING NOTE: BEARINGS ARE GRID, DERIVED FROM SOUTHERLY LIMIT OF BLOCK 224 REGISTERED PLAN 464-1624 SHOWN TO BE N60°24'00" E AND ARE REFERRED TO THE CENTRAL MERIDIAN OF 87°48'00" WEST LONGITUDE HAS-93 (ORIGINAL). BENCHMARK # N-502094.33 E 370979.61 Z 95.08 BENCHMARK # N-502093.41 E 370979.61 Z 95.08

NORTHING

ISSUED FOR - REVISION

NO.	DATE	DESCRIPTION
1	2026-02-11	REVISED PER CITY COMMENTS
1	2025-12-05	ISSUED FOR SPA

PROJECT NO: CA0058595.7684 DATE: 2026-02-11

ORIGINAL SCALE: 1:300 IF THIS BAR IS NOT 25mm LONG, ADJUST YOUR PLOTTING SCALE.

DESIGNED BY: A.Z.

DRAWN BY: J.T.

CHECKED BY: A.Z.

DISCIPLINE: CIVIL

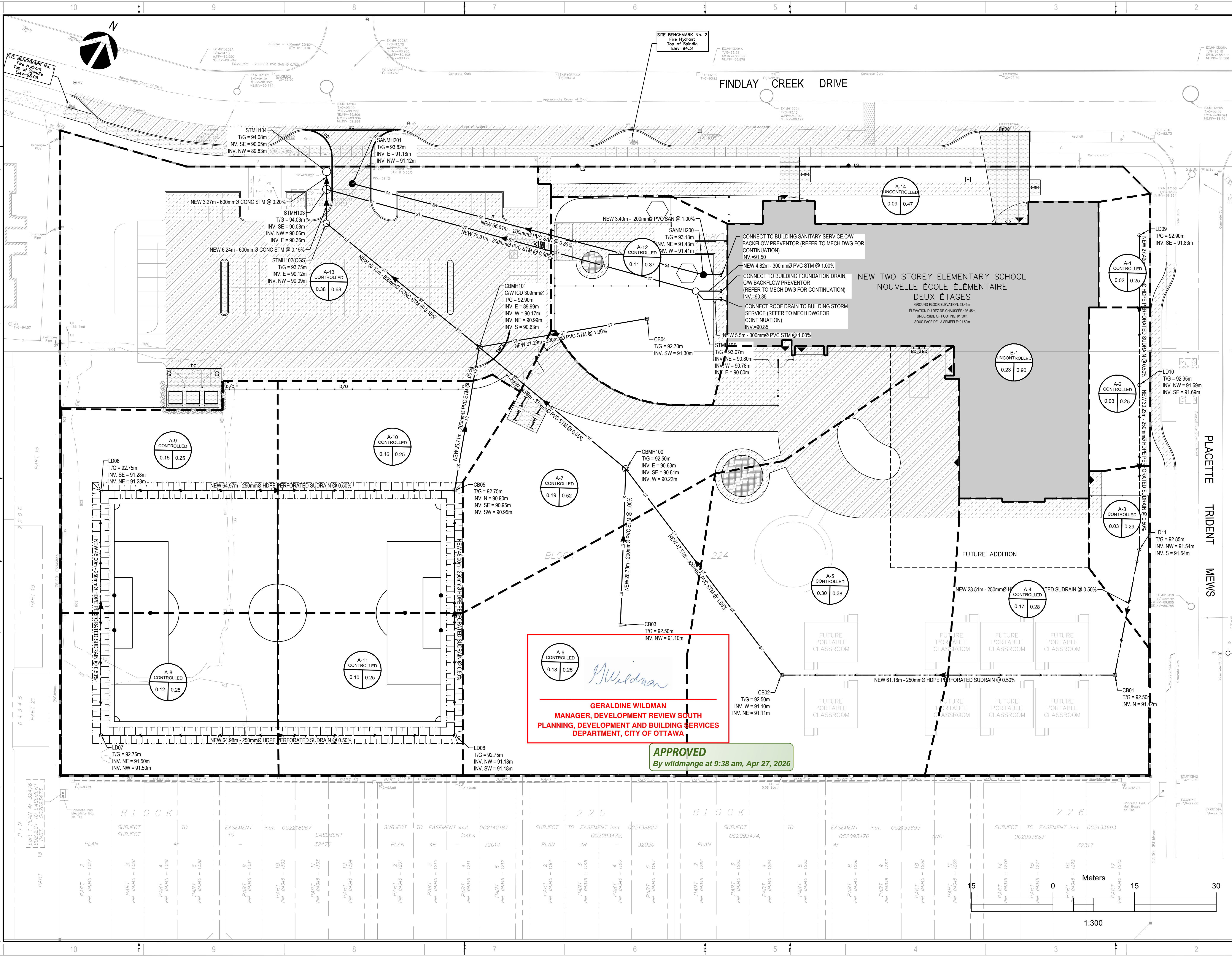
TITLE: POST-DRAINAGE AREA PLAN

SHEET NUMBER: C07

SHEET # OF: 2

ISSUE: REVISED PER CITY COMMENTS

DATE OF: 2026-02-11



G. Wildman
GERALDINE WILDMAN
MANAGER, DEVELOPMENT REVIEW SOUTH
PLANNING, DEVELOPMENT AND BUILDING SERVICES
DEPARTMENT, CITY OF OTTAWA

APPROVED
By wildmange at 9:38 am, Apr 27, 2026

PACLETTE TRIDENT MEWS

PLAN	SUBJECT	TO	EASEMENT	inst.	inst.s	PLAN	SUBJECT	TO	EASEMENT	inst.	inst.s	PLAN	SUBJECT	TO	EASEMENT	inst.	inst.s
4	1327	4	1327	OC2318967	32476	4R	32014	4R	OC2093472	32020	4R	32020	4R	OC2153693	32317	4R	32317
3	1328	3	1328	OC2093472	32020	4R	32020	4R	OC2153693	32317	4R	32317	4R	OC2153693	32317	4R	32317
2	1329	2	1329	OC2153693	32317	4R	32317	4R	OC2153693	32317	4R	32317	4R	OC2153693	32317	4R	32317
1	1330	1	1330	OC2153693	32317	4R	32317	4R	OC2153693	32317	4R	32317	4R	OC2153693	32317	4R	32317

