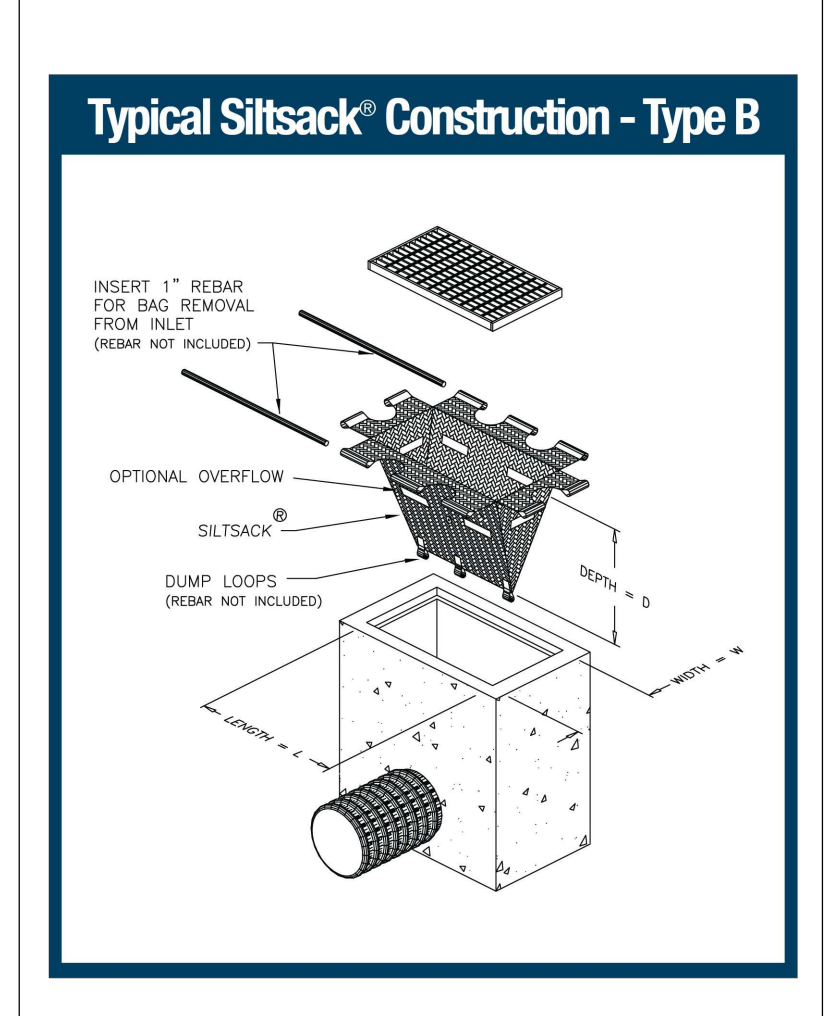
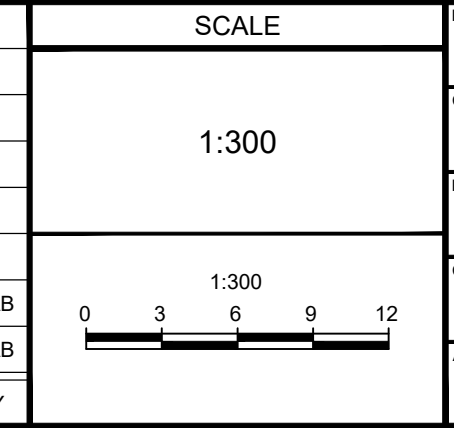


- GRAVEL SHOULDER & DRIVEWAY REMOVAL
- CLEARING, GRUBBING & VEGETATION REMOVAL
- MUD MATS (50mm - 100mm GRANULAR B. TYPE II)
- REMOVAL OF CONCRETE AND ASPHALT SIDEWALKS AND CURBS, INCLUDING PAVERS (OF ALL TYPES)
- REMOVALS
- LIGHT DUTY SILT FENCE PER OPSD 219.110
- TERRAFIX SILTSACKS INSTALLED AT CATCH BASIN
- EXISTING CONTOUR AND ELEVATION
- STRAW BALE FLOW CHECK PER OPSD 219.180



NOTE:
 THE POSITION OF ALL POLE LINES, CONDUITS, WATERMANS, SEWERS AND OTHER UNDERGROUND AND OVERGROUND UTILITIES AND STRUCTURES IS NOT NECESSARILY SHOWN ON THE CONTRACT DRAWINGS, AND WHERE SHOWN, THE ACCURACY OF THE POSITION OF SUCH UTILITIES AND STRUCTURES IS NOT GUARANTEED. BEFORE STARTING WORK, DETERMINE THE EXACT LOCATION OF ALL SUCH UTILITIES AND STRUCTURES AND ASSUME ALL LIABILITY FOR DAMAGE TO THEM.

| No. | REVISION | DATE | BY |
|-----|-----------------------|-----------|-----|
| 2 | ADDRESS CITY COMMENTS | APR 14/28 | MAB |
| 1 | SITE PLAN APPLICATION | NOV 5/25 | MAB |



FOR REVIEW ONLY

DESIGN: LRW
 CHECKED: MAB
 DRAWN: LPA
 CHECKED: MAB
 APPROVED: MAB

REGISTERED PROFESSIONAL ENGINEER
 L.R. WILSON
 10160055
 PROVINCE OF ONTARIO

REGISTERED PROFESSIONAL ENGINEER
 M.A. BISSETT
 2026.04.14
 PROVINCE OF ONTARIO

NOVATECH
 Engineers, Planners & Landscape Architects
 Suite 200, 240 Michael Cowpland Drive
 Ottawa, Ontario, Canada K2M 1P6
 Telephone: (613) 254-9643
 Facsimile: (613) 254-5867
 Website: www.novatech-eng.com

CITY OF OTTAWA
 3400 WOODROFFE AVENUE

SITE REMOVALS, EROSION AND SEDIMENT CONTROL PLAN

PROJECT No.: 124147
 REV #2
 DRAWING No.: 124147-ESC

2024-12-25 14:47:00 CAD:124147-ESC.dwg, PLANS SET, Apr 15, 2026 - 3:29pm, bbenz

D07-12-25-0158 & D02-02-25-0090