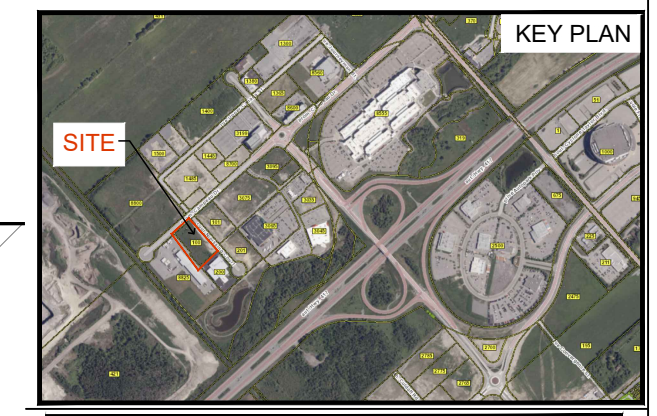
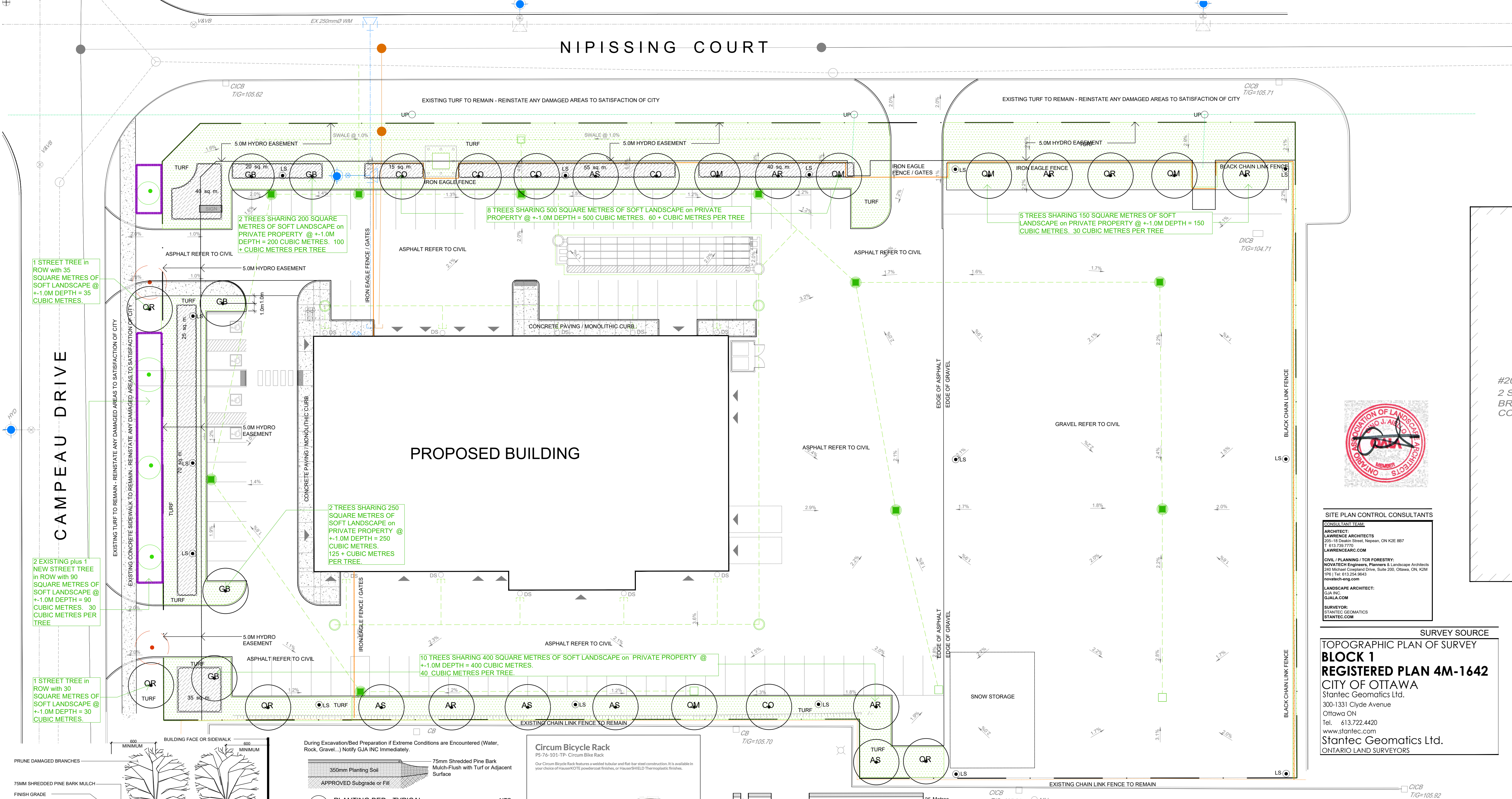


# NIPISSING COURT

Drawing Remains the Property of Copyright Reserved by GJA INC. Do Not Use or Reproduce Without Approval of Gino J. Aiello.  
 | PLANTING MIX TO BE APPROVED BY LANDSCAPE ARCHITECT PRIOR TO PLANTING ALL MATERIALS & WORK TO BE MAINTAINED UNTIL FINAL ACCEPTANCE. INCLUDE 1 YEAR WARRANTY FROM DATE OF FINAL ACCEPTANCE | REFER TO CIVIL ENGINEER'S DRAWING FOR ELEVATIONS / GRADING |  
 The Landscape Plan is to be read in conjunction with the grading, servicing, site and survey plan. All trees to be preserved on or directly adjacent to the site will be protected | Plant material are to be installed a minimum of 3.0m away from any part of any hydro transformer, 3.0m corridor between a fire hydrant and the curb, a 2.5m radius beside or behind a fire hydrant, 2.0m from any servicing/utility line or structure |



## LEGEND

- Existing Tree to Remain
- Protection for Existing Trees
- Existing Tree to Remove

## LANDSCAPE PROPOSED

- Deciduous Tree
- Planting Bed
- Shrub Planting
- Turf
- Concrete
- Concrete Monolithic Curb
- 2.0m Ht. Fence
- 2.0m Ht. Fence
- Rack for 2 Bikes
- Anchor to Concrete



**SITE PLAN CONTROL CONSULTANTS**

**CONSULTANT TEAM**

ARCHITECT:  
LAWRENCE ARCHITECTS  
250-18 Deakin Street, Nepean, ON K2E 8B7  
T: 613.739.7770  
lawrencearch.com

CIVIL PLANNING / TCR FORESTRY:  
NOVATECH Engineers, Planners & Landscape Architects  
260 Michael Cowland Drive, Suite 200, Ottawa, ON K2M 6P3 | Tel: 613.254.9643  
novatech-eng.com

LANDSCAPE ARCHITECT:  
GJA INC.  
GJALA.COM

SURVEYOR:  
STANTEC GEOMATICS  
STANTEC.COM

**SURVEY SOURCE**

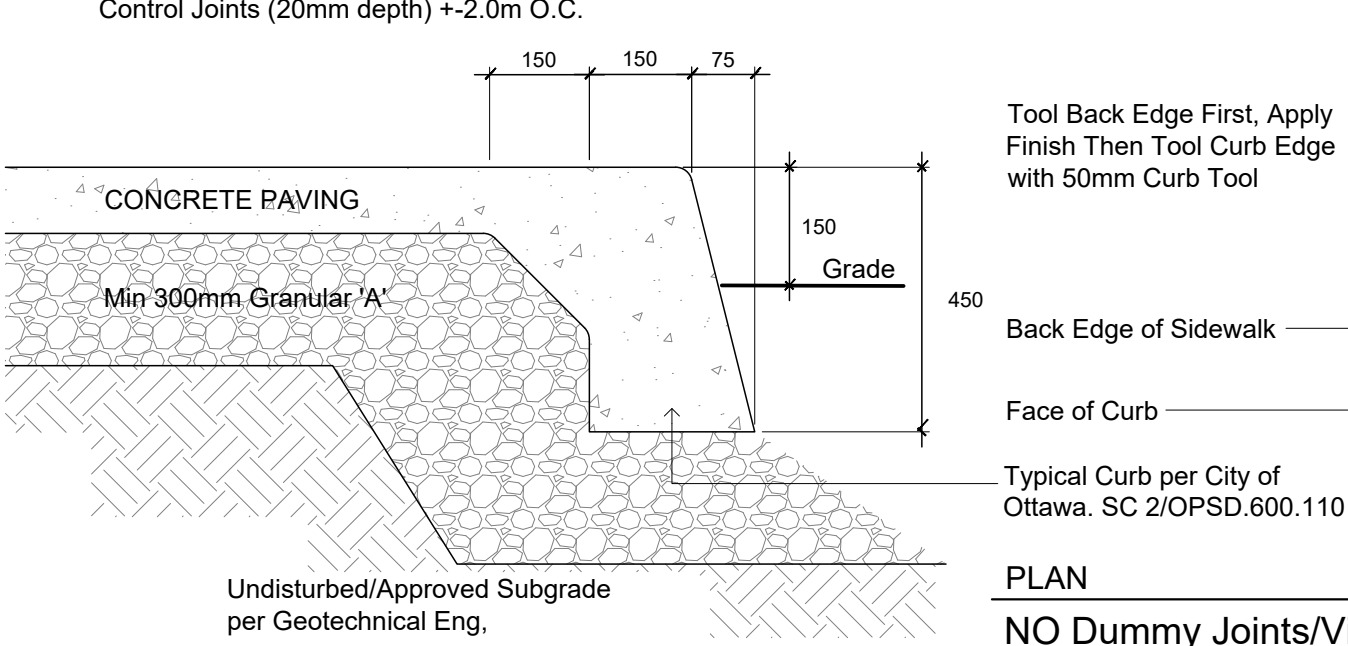
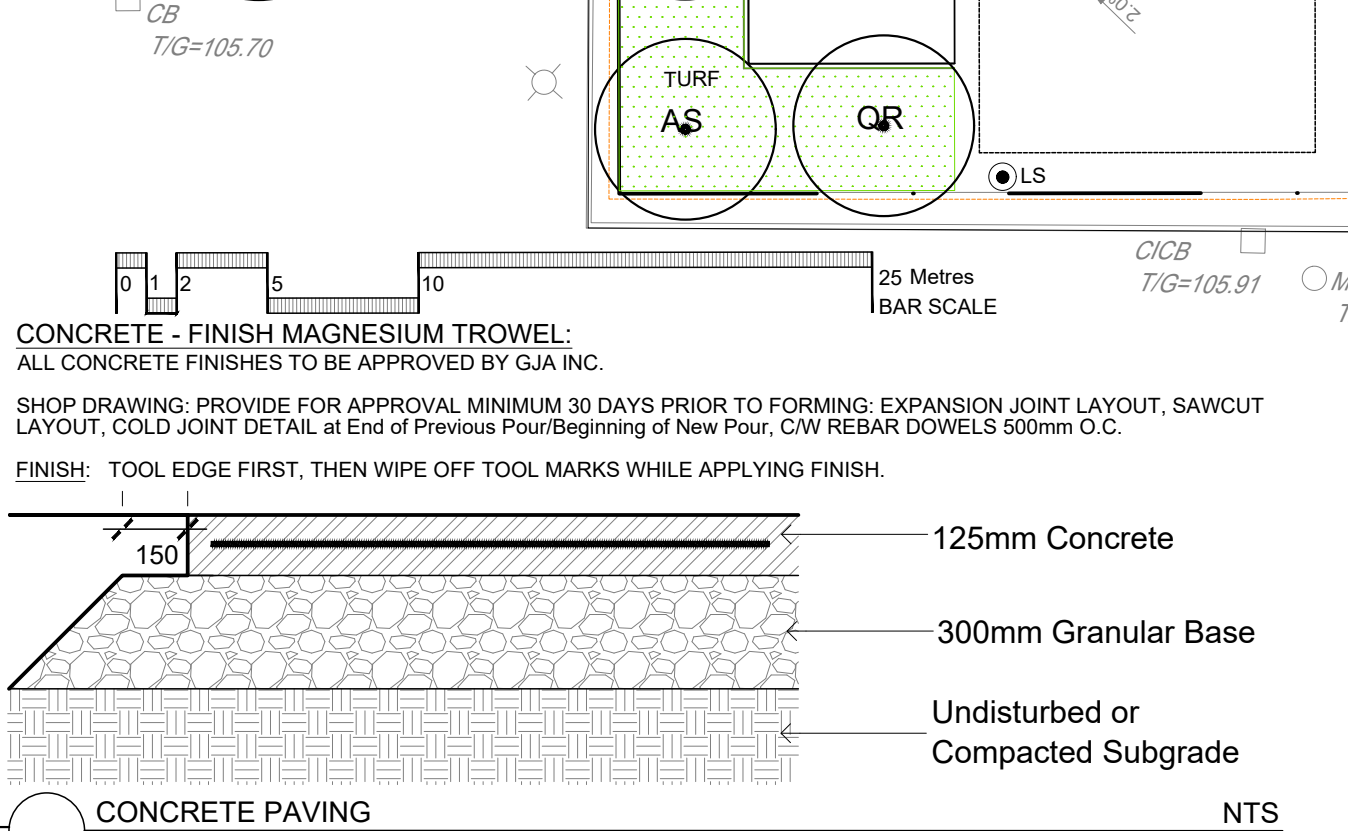
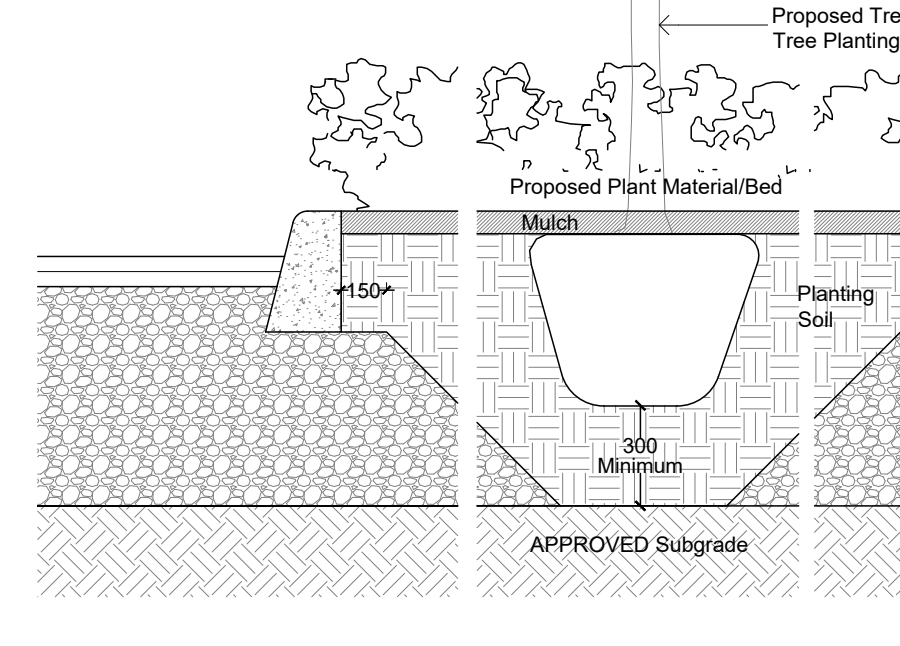
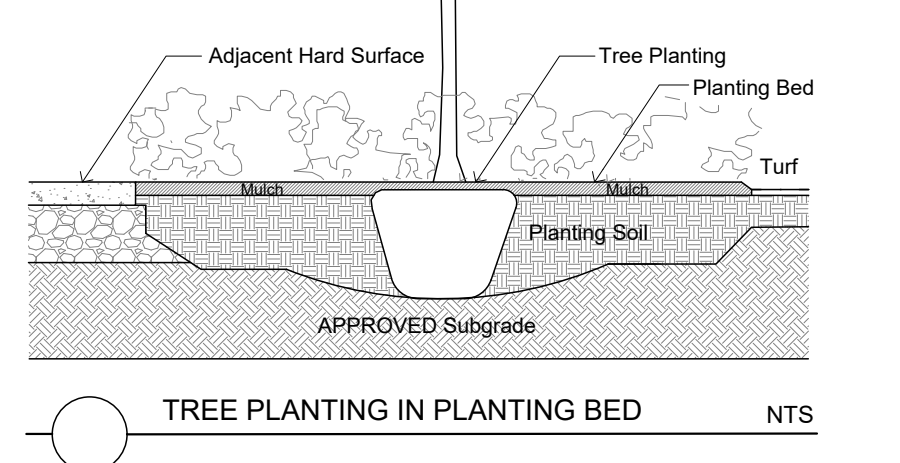
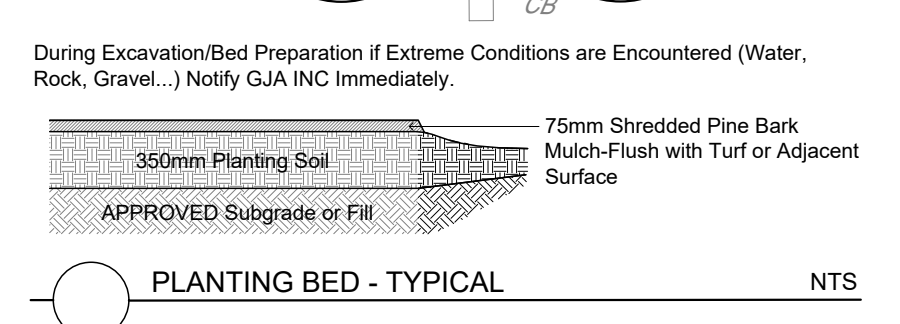
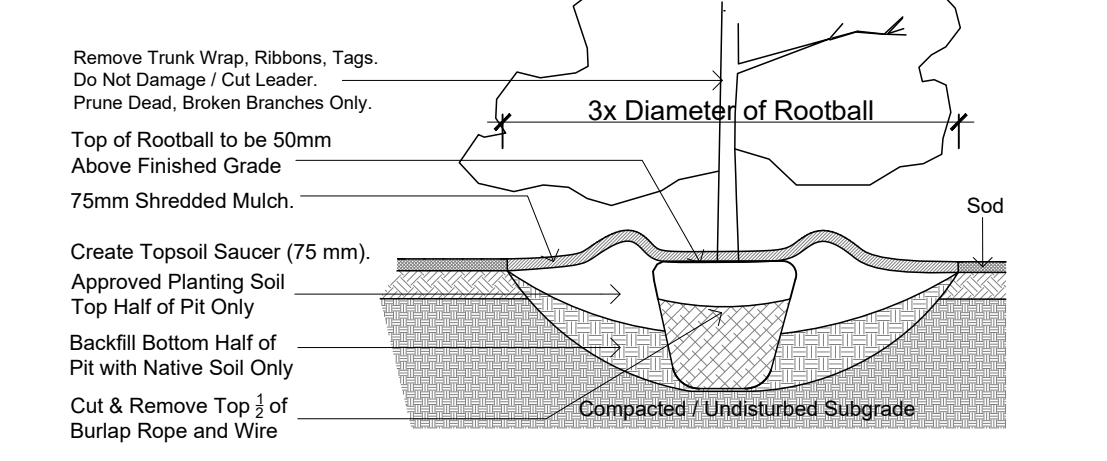
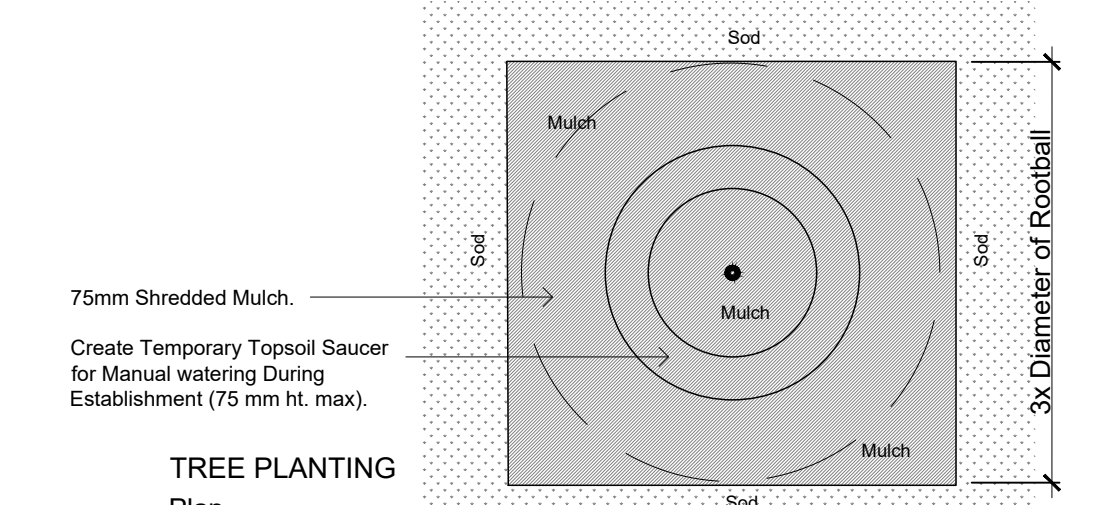
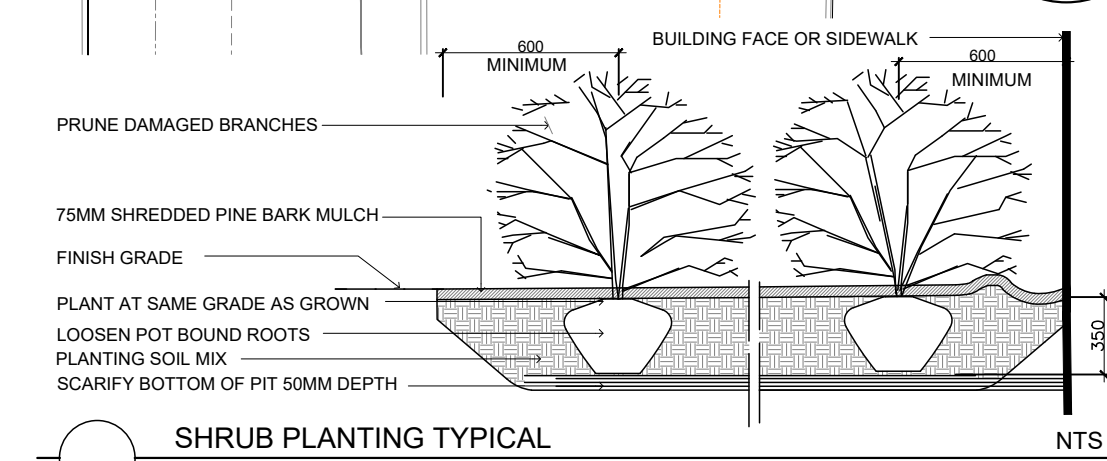
**TOPOGRAPHIC PLAN OF SURVEY**

**BLOCK 1**

**REGISTERED PLAN 4M-1642**

**CITY OF OTTAWA**  
Stantec Geomatics Ltd.  
300-1331 Clyde Avenue  
Ottawa ON  
Tel: 613.722.4420  
www.stantec.com  
Stantec Geomatics Ltd.  
ONTARIO LAND SURVEYORS

**CAMPEAU DRIVE**



## TREE SCHEDULE / TREE CANOPY CALCULATIONS

**TREE SCHEDULE - MYERS CARSTAR 100 NIPISSING COURT KANATA**

CODE	QTY	BOTANICAL NAME	COMMON NAME	B&B SPECIMEN	NATIVE to CANADA	FORECASTED SPREAD as per City of Ottawa Ecovis DIAMETER	RADIUS	Canopy Cover Contribution/Tree in Square Metres	Total Canopy Cover
AR	5	Acer rubrum	Red Maple	50mm cal	YES	10.0M	5.0M	78.5	392.5
AS	5	Acer saccharum	Sugar Maple	50mm cal	YES	14.0M	7.0M	154	770
CO	5	Celtis occidentalis	Common Hackberry	50mm cal	YES	14.0M	7.0M	154	770
GB	5	Ginkgo biloba	Maidenhair Tree	50mm cal	NO	10.0M	5.0M	78.5	392.5
QM	5	Quercus macrocarpa	Bur Oak	50mm cal	YES	14.0M	7.0M	154	770
QR	5	Quercus rubra	Red Oak	50mm cal	YES	14.0M	7.0M	154	770
<b>TOTAL</b>	<b>30</b>							<b>3865</b>	<b>3865</b>
<b>TOTAL FORECASTED CANOPY COVER IN SQUARE METRES</b>									<b>3865</b>
<b>SITE AREA for TOTAL FORECASTED CANOPY COVER as Percentage of Site Area</b>									<b>12135</b>
									<b>31.85%</b>

**SHRUB PLANTING 350 Square Metres (Average Spacing 0.9m) +1.4 plants/sq. m**

Code	Qty	Botanical Name	Common Name	Size	Condition	NATIVE
HK	150	Hypericum kalimianum	Kalm St. John's Wort	30cm	Pot	YES
HP	75	Hypericum prolificum	Shrubby St. John's Wort	40cm	Pot	YES
SB	100	Spiraea bumalda 'Dart's Red'	Dart's Red Spirea	40cm	Pot	
SB	75	Spiraea bumalda 'Magic Carpet'	Magic Carpet Spirea	40cm	Pot	
SB	75	Spiraea bumalda 'Anthony Waterer'	Anthony Waterer Spirea	40cm	Pot	
PM	25	Pinus mugo var. pumilio	Mugho Pine	30cm spr	Pot	
TCm	25	Taxus cuspidata 'Monloie'	Emerald Spreader Yew	30cm spr	Pot	
AU	50	Arctostaphylos uva ursi	Barberry	30cm spr	Pot	YES
GM	50	Geranium macrorrhizum	Bigroot Geranium	9 cm Pot		
GR	50	Geranium psilostemon 'Gerwat'	Rozanne Geranium	9 cm Pot		
PV	25	Panicum virgatum	Switch Grass	9 cm Pot		YES

**PLAN**  
NO Dummy Joints/Visible Tooled Edges Except for Curb Edge

REV	REVISION/COORDINATION	DATE
3	per First Review Comments	2026 03 23
2	per Deficiency Comments	2026 01 08
1	SPC SUBMISSION 1	2025 11 14
0	REVIEW/COORDINATION	2025 09 29
#	Revision	Date

**PROPERTY OWNER**  
**ZENA Investment Corporation**  
1200 Baseline Road Ottawa K2C 0A6

**GJA INC.**  
GINO J. AIELLO | LANDSCAPE ARCHITECT  
GJALA.COM | 613.286.5130 | GINO@GJALA.COM  
115 DEBARTY ROAD UNIT # 11, OTTAWA, ONTARIO | 437.52.02

**MYERS CARSTAR**  
100 NIPISSING COURT KANATA

**Landscape Plan**  
Scale: 1:250

D07-12-25-0152 PLAN NO 19402