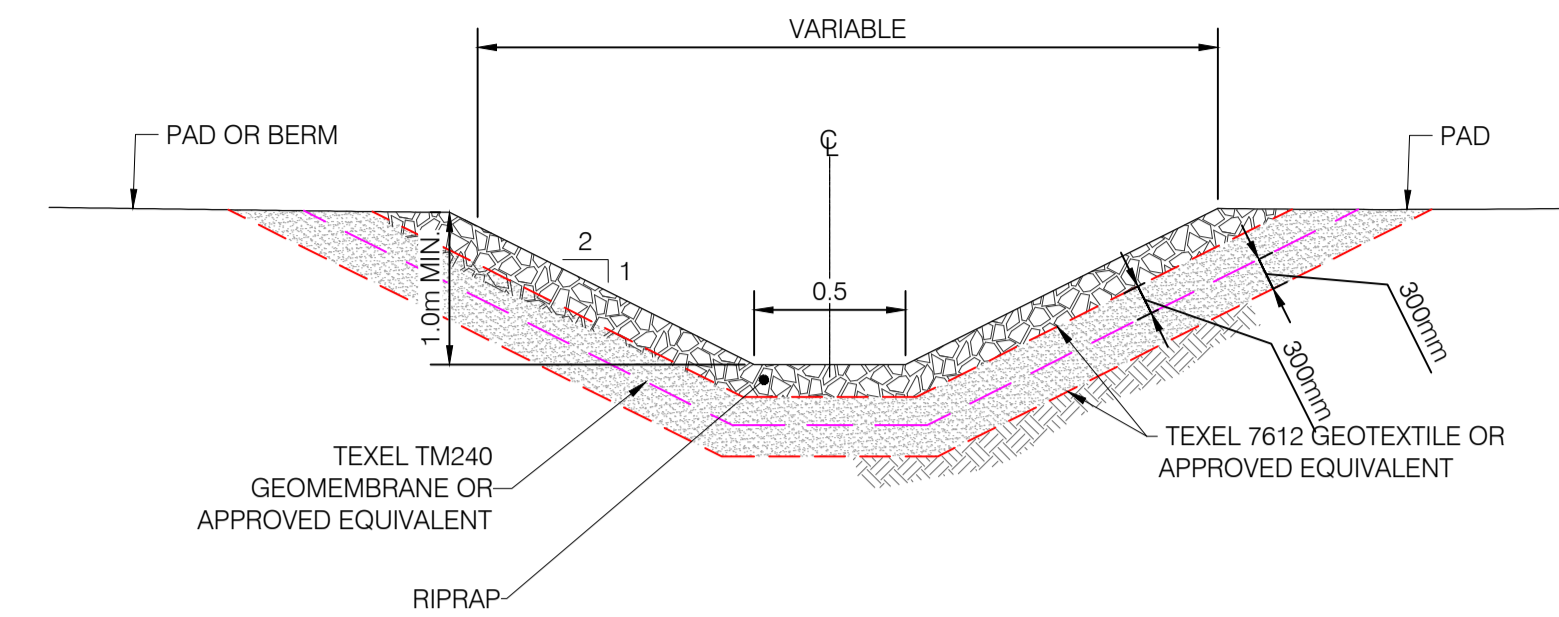
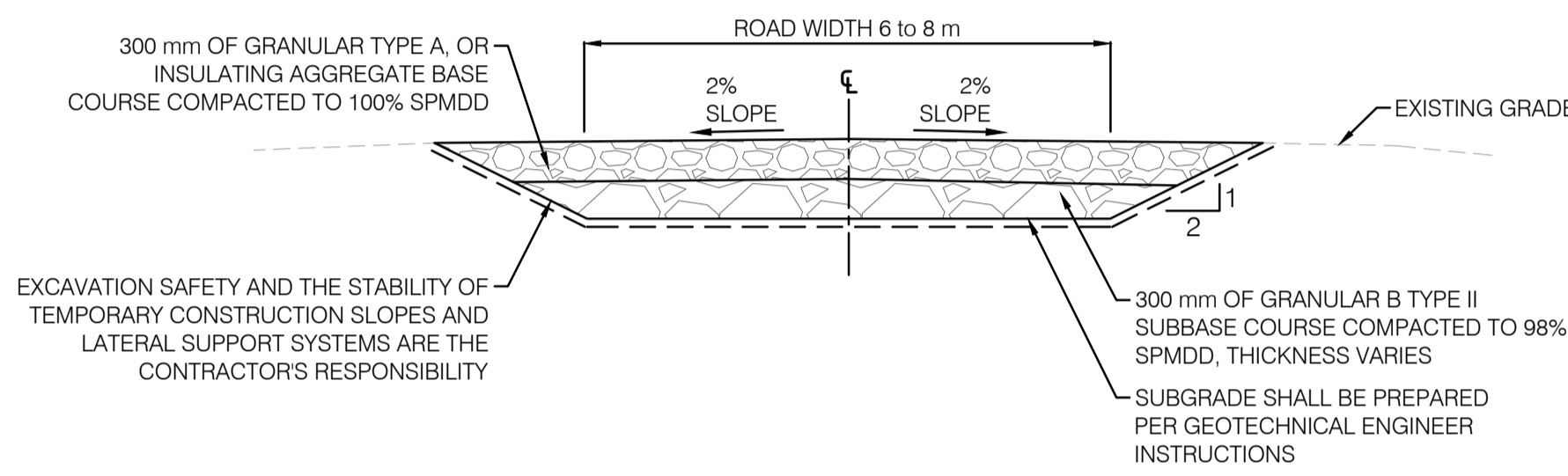


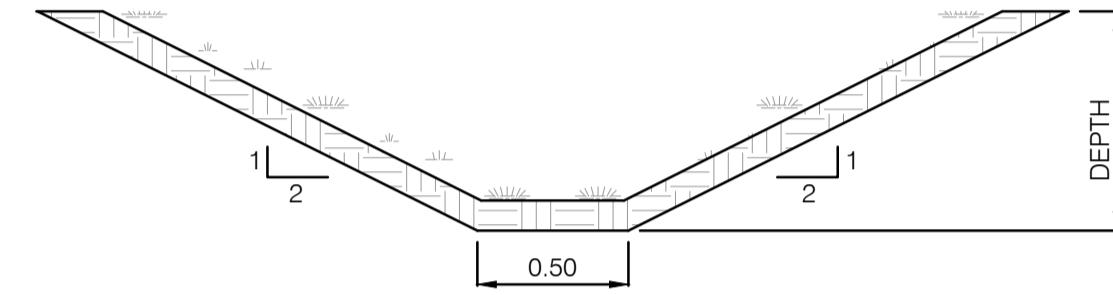
TYPICAL ROAD SECTION IN FILL - FOR MAIN ACCESS TO THE SITE
SCALE: N.T.S.



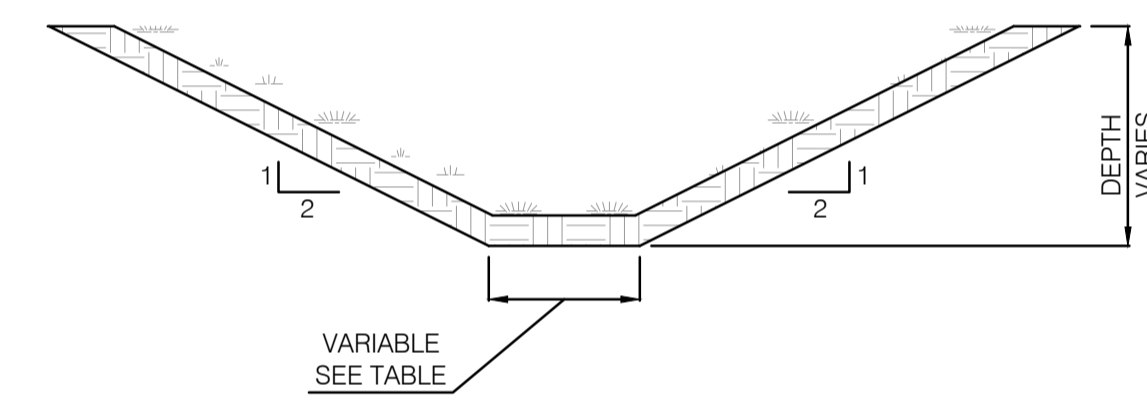
TYPICAL SECTION - PAD DITCH
SCALE: N.T.S.



TYPICAL ROAD SECTION IN CUT - FOR MAIN ACCESS ROAD TO THE SITE
SCALE: N.T.S.

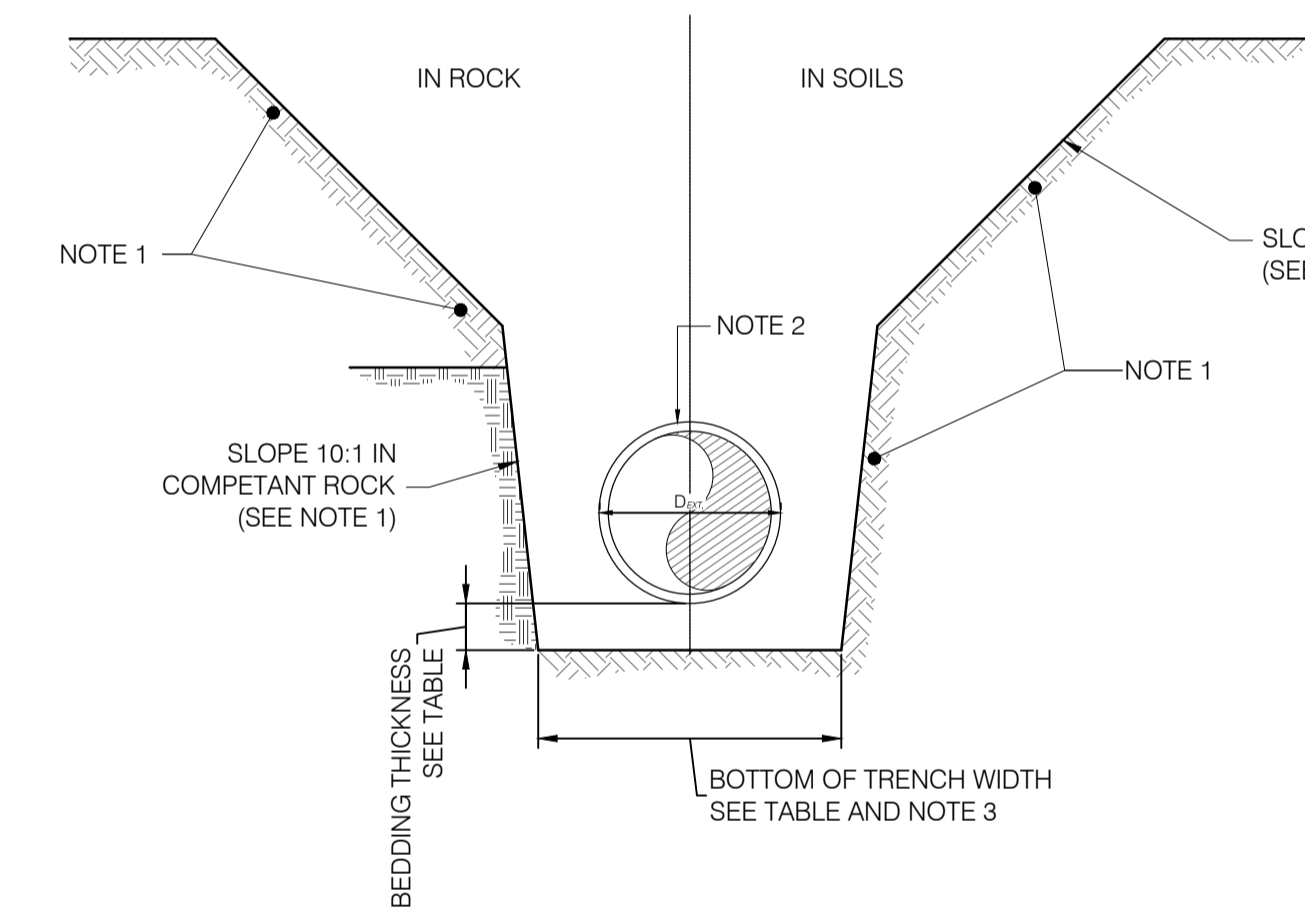


TYPICAL SECTION - POND OUTLET DITCH
SCALE: N.T.S.



TYPICAL SECTION - DIVERSION DITCH
SCALE: N.T.S.

STATIONS	WIDTH
0+000 @ 0+041	5 m
0+041 @ 0+437	2 m
0+437 @ 0+539	3 m
0+539 @ 0+600	5 m



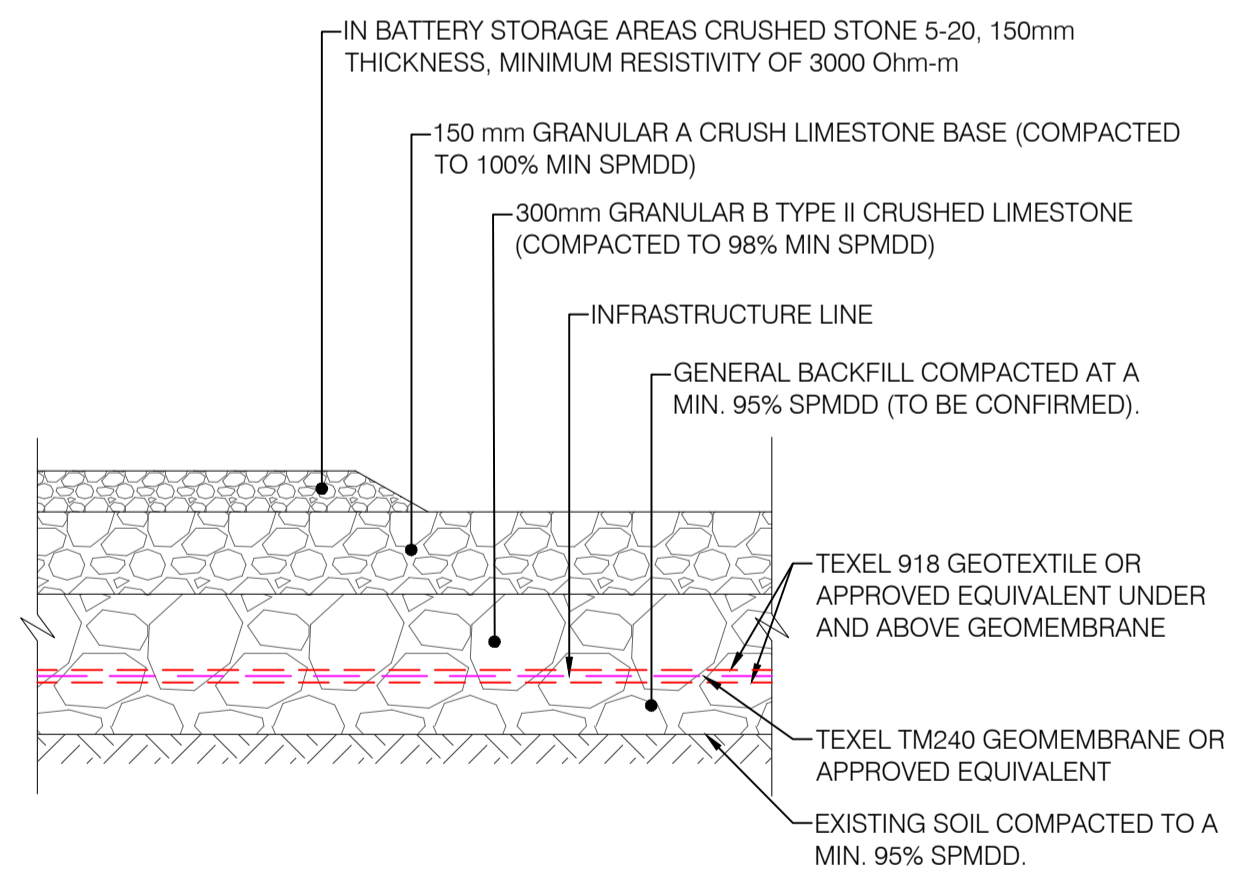
NOTES:

- EXCAVATION SLOPES ARE NOT RESTRICTED TO SLOPES SHOWN ON DRAWING. THE EXCAVATION MUST MEET THE REQUIREMENTS OF THE "OCCUPATIONAL HEALTH AND SAFETY ACT", NAMELY THE REQUIREMENTS FOR MATERIAL STORAGE, CIRCULATION OF VEHICLES NEAR THE EXCAVATION AND STABILITY OF THE SLOPES.
- THE PIPE MUST BE CENTERED AT THE BOTTOM OF THE TRENCH. D_{ext} IS THE OUTSIDE DIAMETER OF THE PIPE, MEASURED IN MILLIMETERS.
- BOTTOM OF TRENCH WIDTH CORRESPONDS TO THE DISTANCE BETWEEN SHORING WALLS, IF EXCAVATION IS SUPPORTED.

NOMINAL DIAMETER OF THE PIPE mm	MIN. BEDDING THICKNESS (mm)	BOTTOM OF TRENCH WIDTH mm
300 AND LESS	150	D _{ext} + 900
350 TO 600	150	D _{ext} + 900
750 TO 1200	200	D _{ext} + 1200
1350 TO 1500	250	D _{ext} + 1200
1800 AND MORE	300	A) D _{ext} + 1200 TRENCH IS SHORED B) D _{ext} + 900 TRENCH IS NOT SHORED

TRENCH SECTION
N.T.S.

FOR PERMITTING



BATTERY AREA AND PAD STRUCTURE
SCALE: N.T.S.

DRAWING No.	DESCRIPTION	REV	DESCRIPTION	PREPARED BY	CHECKED BY	DATE
		AC	FOR PERMITTING	B. THOMAS	V. BRUNELLE	2025-11-05
		AB	FOR PERMITTING	E. AMELI	M. SHAHRAKI	2025-06-19
		AA	FOR COMMENTS	E. AMELI	M. SHAHRAKI	2025-03-03
REFERENCE DRAWINGS		REVISIONS				

SEAL:

Evologen
by Brookfield Renewable

CLIENT:

PROJECT: SOUTH MARCH BESS 2555 AND 2625 MARCHURST ROAD, OTTAWA	
TITLE: CIVIL ROAD AND DRAINAGE DETAILS	
DESIGNED BY: B. THOMAS	DRAFTED BY: G. NORMAND
PREPARED BY: V. BRUNELLE	CHECKED BY: V. BRUNELLE
SCALE: NTS	DATE: 2025-03-03
DRAWING No.: 7154023-100000-41-D50-0002	SHEET: 01 SIZE: A1 REV: AC