

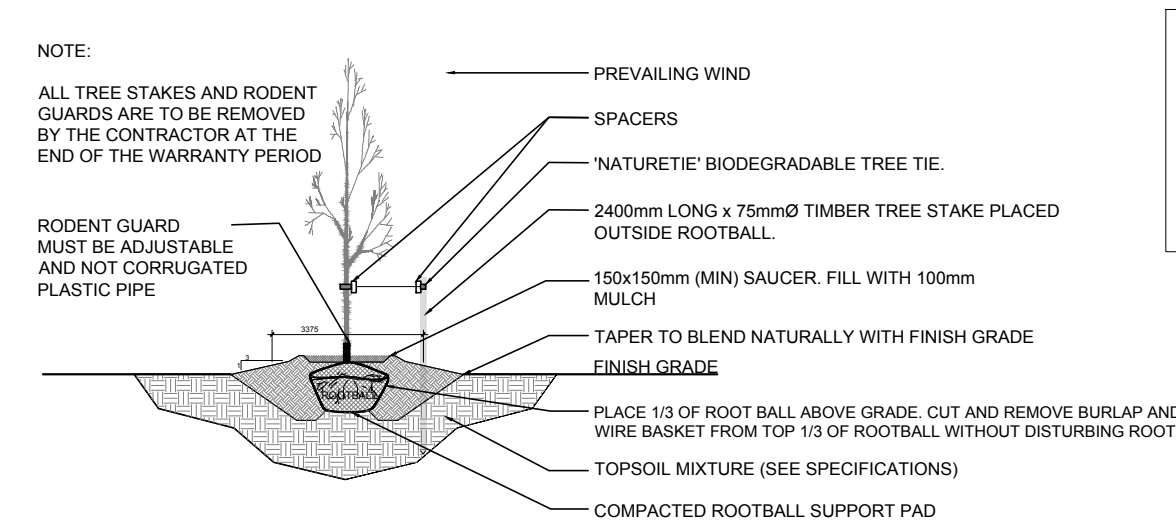
1 LANDSCAPE PLAN
L.1 SCALE 1:75

- GENERAL NOTES:**
- IT IS THE RESPONSIBILITY OF THE APPROPRIATE CONTRACTOR OR OFFICIAL TO REPORT ANY ERRORS, OMISSIONS OR DISCREPANCIES ON THIS PLAN WITH ACTUAL SITE CONDITIONS TO THE LANDSCAPE ARCHITECT BEFORE PROCEEDING WITH CONSTRUCTION.
 - THE CONTRACTOR IS TO NOTIFY ALL UTILITY COMPANIES AND AUTHORITIES PRIOR TO ANY EXCAVATION AND ASCERTAIN LOCATIONS OF UNDERGROUND SERVICES.
 - THE CONTRACTOR IS TO REINSTATE ALL AREAS AND ITEMS DAMAGED AS A RESULT OF CONSTRUCTION ACTIVITY.
 - THE CONTRACTOR IS TO COMPLY WITH ALL PERTINENT CODES AND BY-LAWS.
 - THE CONTRACTOR IS TO MAINTAIN A POSITIVE SURFACE RUN-OFF THROUGHOUT THE ENTIRE CONSTRUCTION PERIOD.
 - THE LANDSCAPE ARCHITECT IS NOT RESPONSIBLE FOR SUBSURFACE CONDITIONS.
 - THE CONTRACTOR IS TO IDENTIFY ALL EXISTING TREES TO REMAIN ON SITE WITH THE LANDSCAPE ARCHITECT PRIOR TO CONSTRUCTION.
 - THE CONTRACTOR IS TO STAKE THE PROPOSED LOCATION OF ALL PLANT MATERIAL IN CONJUNCTION WITH THE LANDSCAPE ARCHITECT PRIOR TO EXCAVATION.
 - MINIMUM DISTANCES FOR SELECTED DECIDUOUS TREES ARE AS FOLLOWS:
 - BUILDING FOUNDATIONS - 4.5M
 - SIDEWALKS - 1.5M
 - PUBLIC STREETS - 2.5M
 - UNDERGROUND INFRASTRUCTURE - 2.0M
 - ALL TREES WITHIN 1M OF UNDERGROUND UTILITY TRENCHES ARE TO BE EXCAVATED BY HAND.
 - REMOVE ALL PROTECTIVE WRAPPING FROM TREE TRUNKS AFTER INSTALLATION.
 - STAKING OF TREES SHALL ONLY BE PERFORMED IF NECESSARY.
 - ENSURE THAT MULCH IS PULLED BACK A MINIMUM DISTANCE OF 75MM FROM BASE OF TREE TRUNK.

PROPOSED PLANT LIST

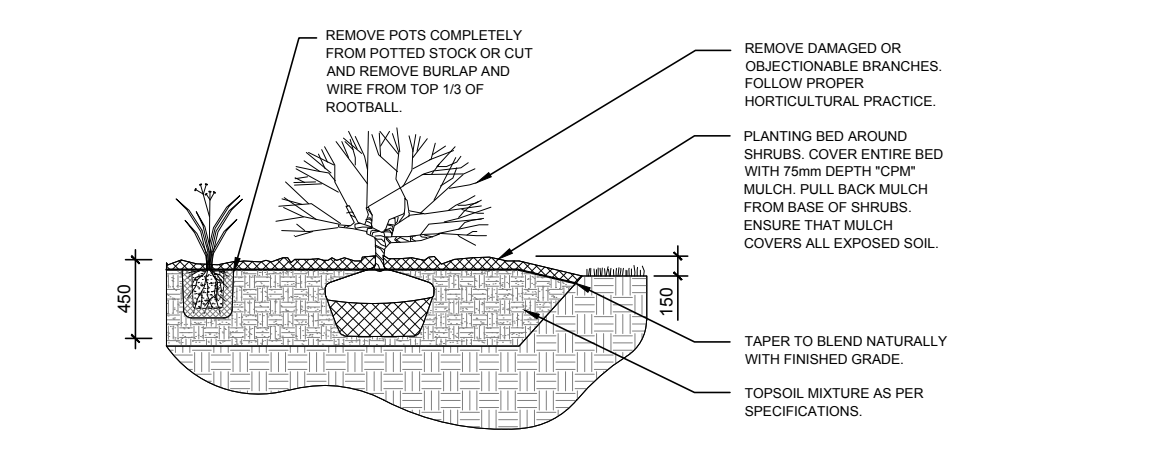
KEY	QTY	BOTANICAL NAME	COMMON NAME	SIZE	CONDITION	SPACING
TREES						
*SB	1	<i>Amelanchier canadensis</i>	Shadblow Serviceberry	50mm cal.	B&B	
SHRUBS DECIDUOUS						
*Cs	4	<i>Cornus sericea</i> 'Farrow Arctic Fire'	Red Twig Dogwood	600mm ht.	Potted	1500mm o.c.
Ha	9	<i>Hydrangea arborescens</i> 'Annabelle'	Annabelle Hydrangea	800mm ht.	Potted	800mm o.c.
Sj	4	<i>Spiraea japonica</i> 'Anthony Waterer'	Spiraea 'Anthony Waterer'	600mm ht.	Potted	1000mm o.c.
SHRUBS CONIFEROUS						
Pm	4	<i>Pinus mugo</i> 'Pumilio'	Dwarf Mugo Pine	600mm spr.	Potted	1200mm o.c.
Tm	9	<i>Taxus media</i> 'Densaformis'	Dense Spreading Yew	600mm spr.	Potted	900mm o.c.
PERENNIALS						
ca	12	<i>Calamagrostis x acutiflora</i> 'Karl Foerster'	Karl Foerster Grass	250mm pot.	Potted	800 mm o.c.
hg	6	<i>Heuchera x 'Georgia Peach'</i>	Georgia Peach Coral Bells	100mm pot.	Potted	400 mm o.c.
rf	16	<i>Rudbeckia fulgida</i> 'Goldsturm'	Goldsturm Black-Eyed Susan	100mm pot.	Potted	400 mm o.c.
sn	20	<i>Salvia nemorosa</i> 'Blue Hill'	Blue Hill Meadow Sage	100mm pot.	Potted	400 mm o.c.

*INDICATES NATIVE SPECIES. ALL PLANT MATERIAL IS PROPOSED ON PRIVATE PROPERTY

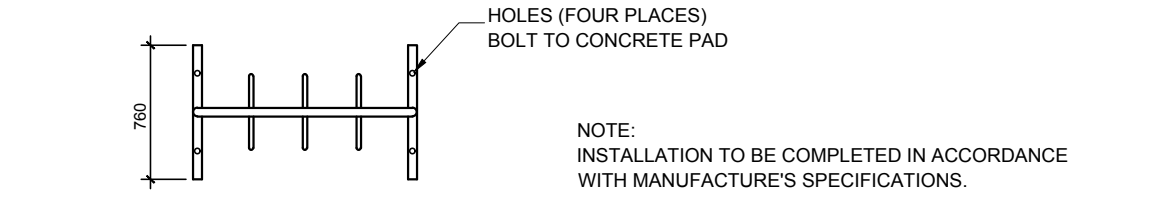
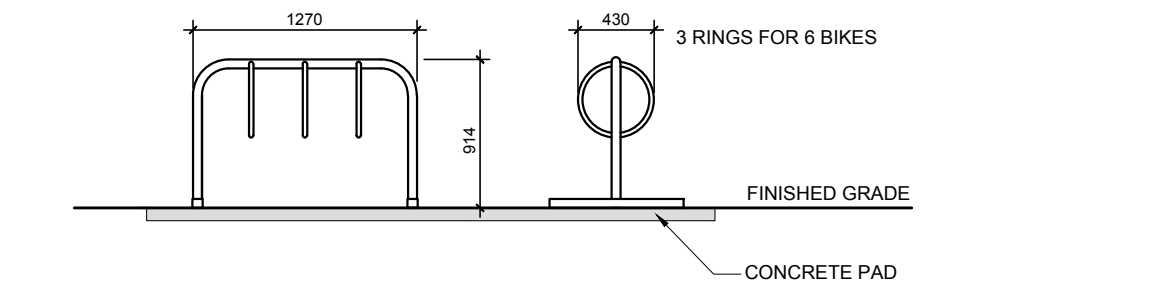


SURVEYOR'S REAL PROPERTY REPORT
PART 1 - PLANT OF SURVEY
PART OF LOT 72
REGISTERED PLAN 526
CITY OF OTTAWA

2 DECIDUOUS TREE PLANTING
L.1 SCALE: NTS



3 SHRUB / ORNAMENTAL GRASS / PERENNIAL PLANTING
L.1 SCALE: NTS



4 THREE (3) RING BIKE RACK FOR SIX (6) BIKES
L.1 SCALE: NTS



40 YEAR CANOPY CALCULATION:

-691 m2 site area
-1 small tree proposed
=7m2 canopy cover =1% canopy cover
*Small tree calculated at 3m spread

KEY PLAN: NTS

CLIENT
HP URBAN INC.
2405 ST. LAURENT BOULEVARD,
UNIT P, OTTAWA, ONTARIO K1G 5B4

CONSULTANTS
ARCHITECTS:
BRYDEN GIBSON ARCHITECTS INCORPORATED
1066 Somerset Street West, Suite 200, Ottawa, Ontario, K1V 4T3
Telephone: (613) 724-5914 | E-mail: arch@brydengibson.com

CIVIL ENGINEERS:
T.L. Mak Engineering Consultants Ltd.
1455 Youville Drive, Suite 218
Ottawa, ON, K1C 6Z7
Tel: 413-837-5516 | Fax: 613-837-5277
E-mail: tlmakec@bellnet.ca

SURVEYORS:
Stantec
1301 Cote Avenue, Suite 400
Ottawa, Ontario K2C 1S4
PHONE NUMBER: (613) 722-4059

LEGEND

- 25m³ SOIL VOLUME AT A 1.5m DEPTH
- PROPOSED SHRUBS/GRASSES/ PERENNIALS
- PROPOSED SOD
- PROPOSED RIVERSTONE
- PROPOSED PRECAST CONCRETE PAVERS
- PROPOSED CONCRETE
- PROPERTY LINE
- BUILDING 4.5m OFFSET
- BALCONY OVERHANG FROM BUILDING

2	REVISED PER CITY COMMENTS	09/30/2025	ML	JL
1	ISSUED FOR SITE PLAN CONTROL	05/07/2025	ML	JL
No.	Issue	Date	ML	DR
		ML	DR	CK

JAMES B. LENNOX & ASSOCIATES INC.
LANDSCAPE ARCHITECTS
3332 CARLING AVE. OTTAWA, ONTARIO K2H 5A8
Tel. (613) 722-5168 Fax. (613) 343-3942

PROJECT
PROPOSED FOUR STOREY BUILDING
222 Baseline Road, Ottawa, ON

DRAWING
LANDSCAPE PLAN

STAMP

ASSOCIATION OF LANDSCAPE ARCHITECTS OF ONTARIO
MEMBER
JAMES B. LENNOX

SCALE: AS SHOWN
START DATE: APRIL, 2025
PROJECT NO.: 25MIS2527
DRAWING NO.: L.1
PLOT SIZE ARCH-D