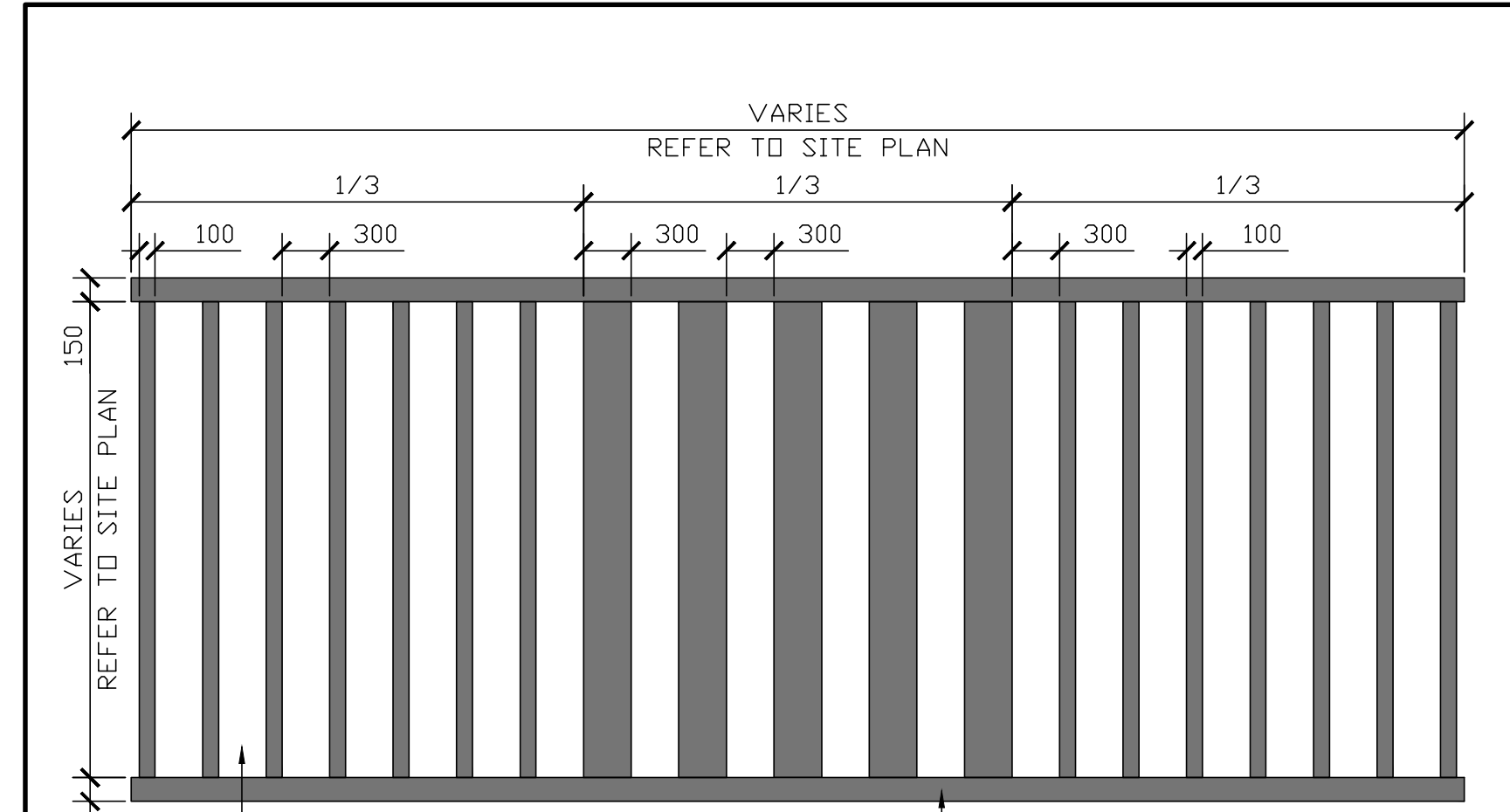
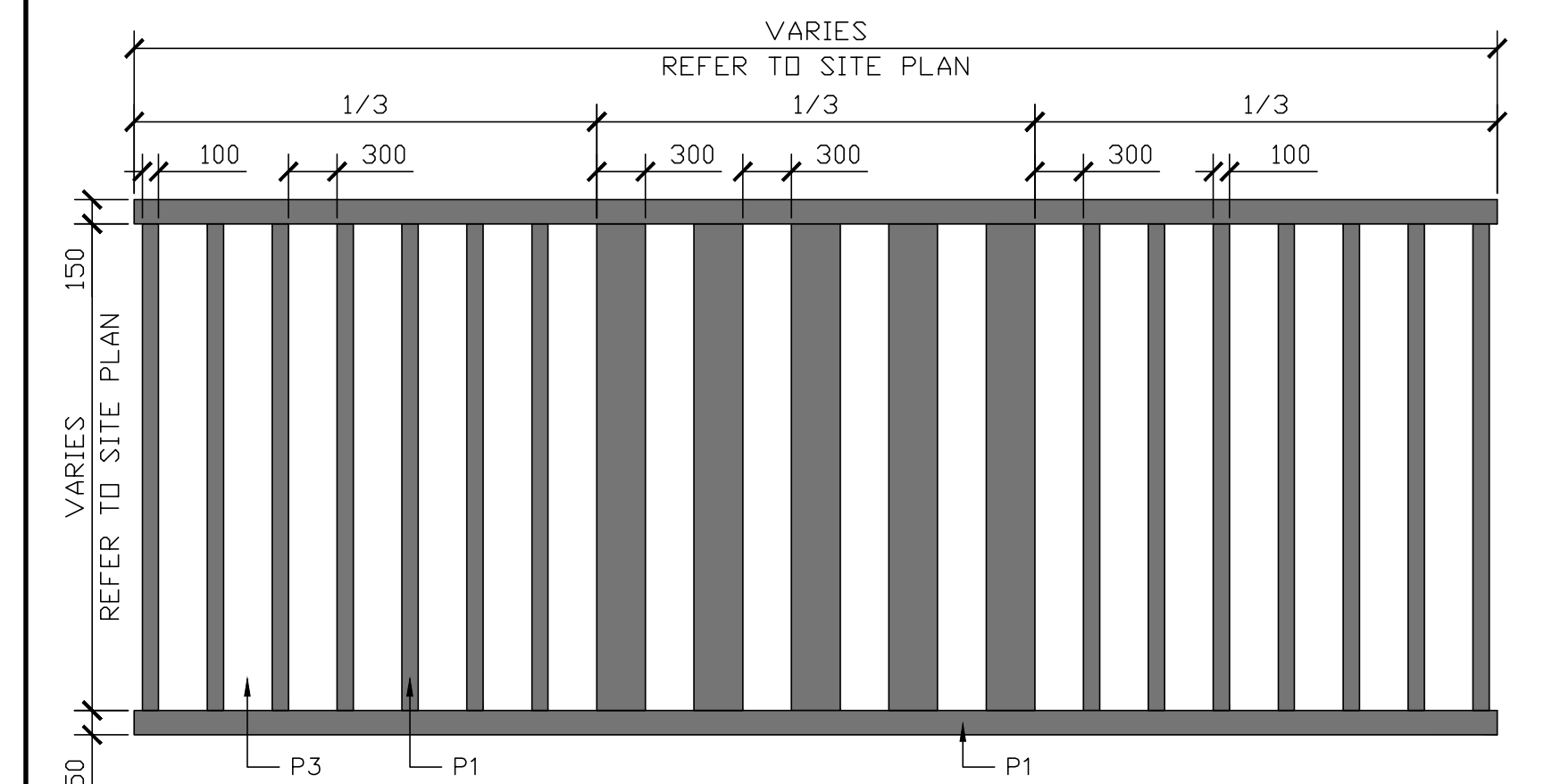


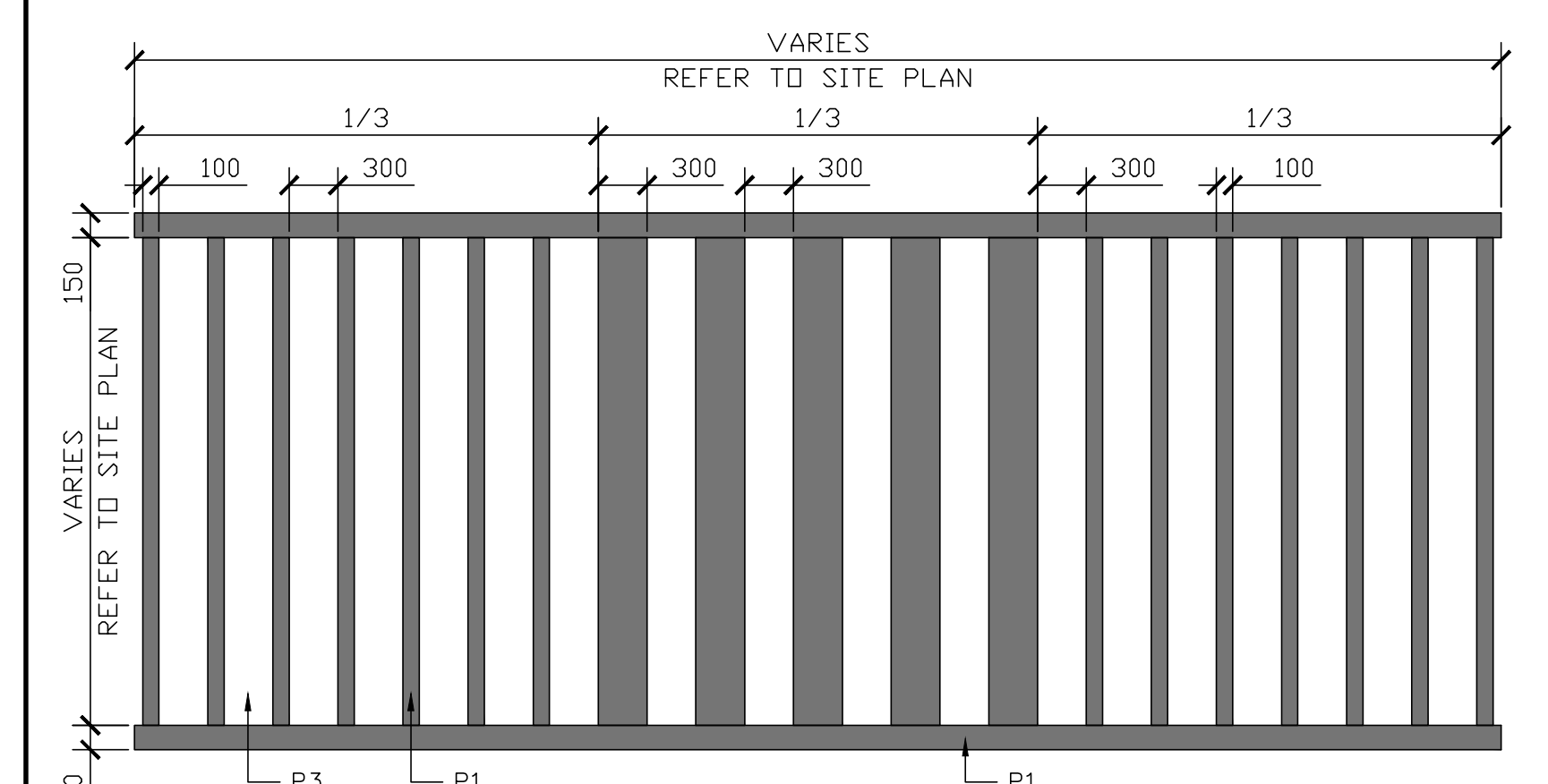
6 SECTION DETAIL
SCALE: N.T.S.



CROSSWALK (PARKING TO PARKING)
OPTION 3 - THIRD



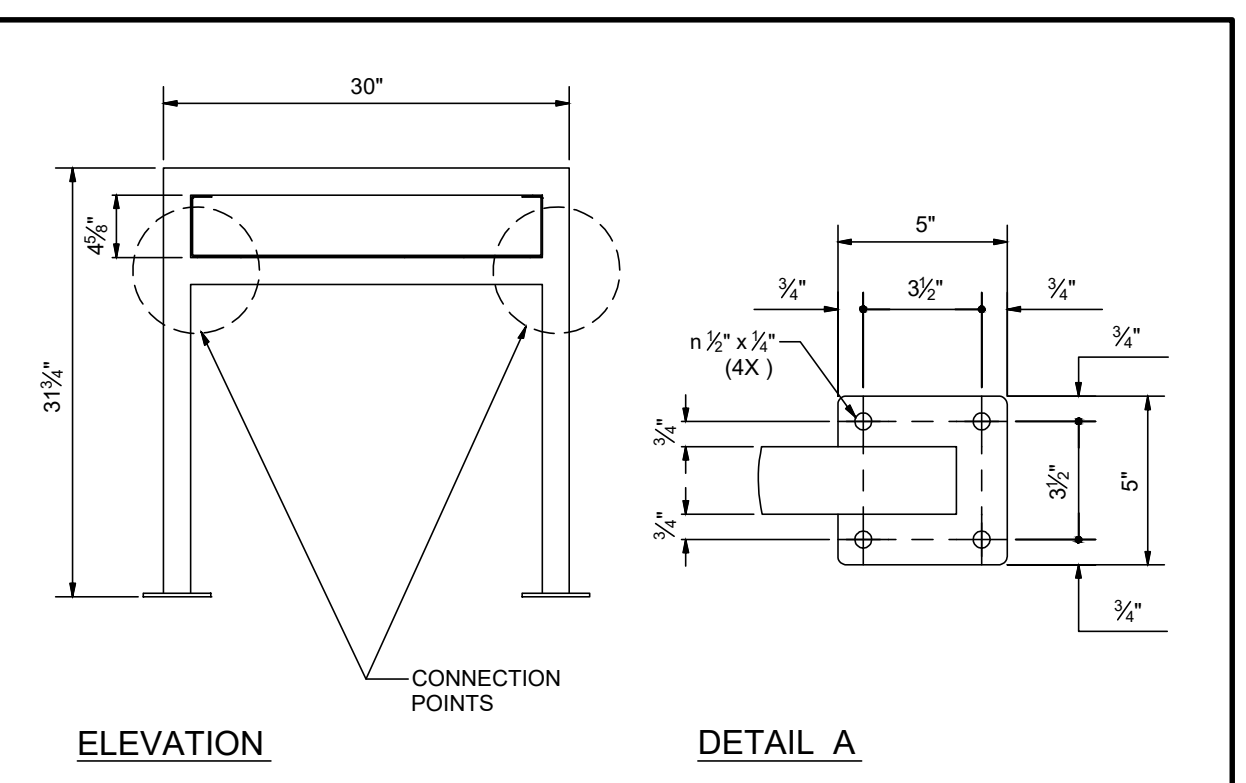
CROSSWALK (BUILDING ENTRANCE TO PARKING)
OPTION 2B - SECONDARY



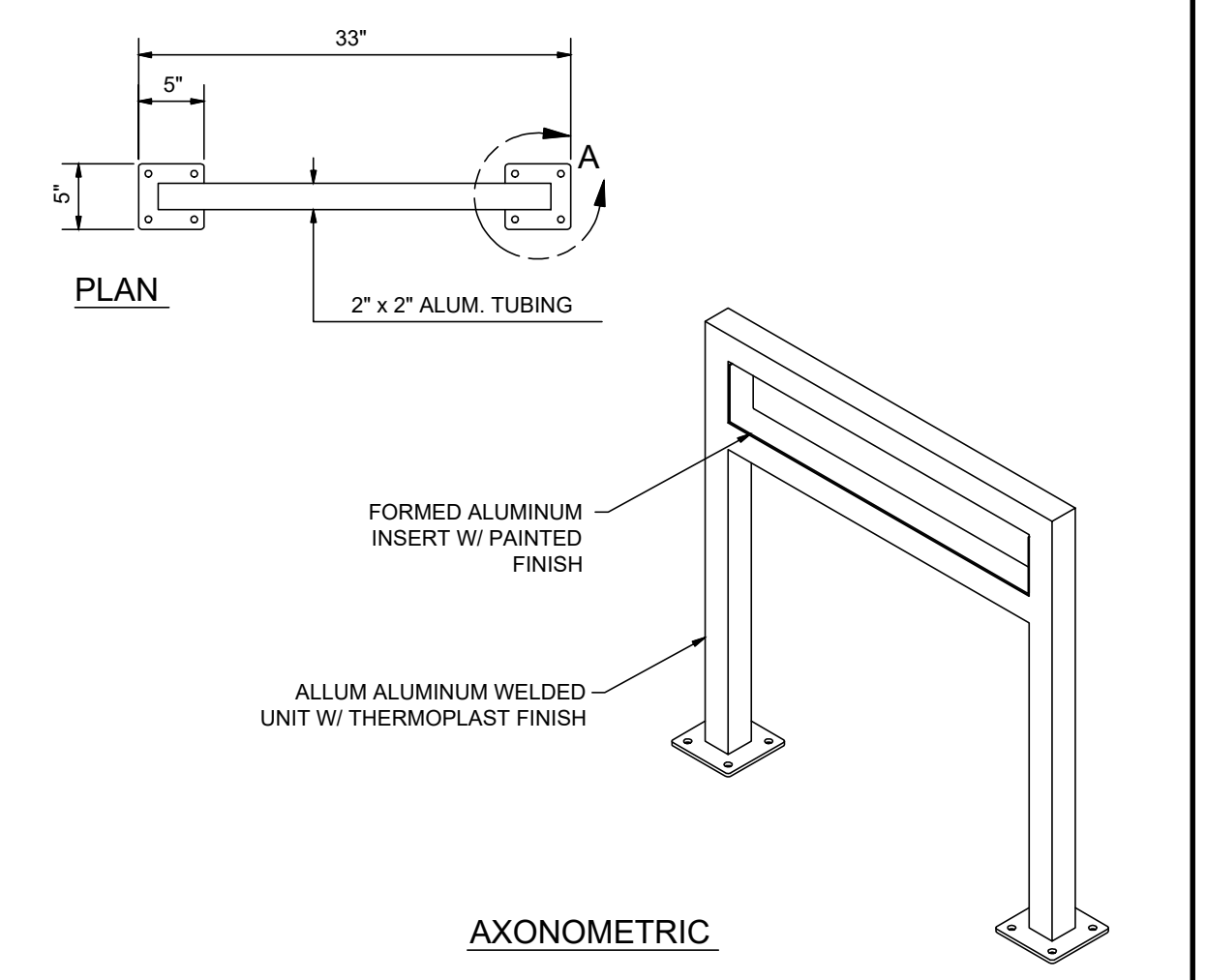
CROSSWALK (BUILDING TO BUILDING)
OPTION 1 - PRIMARY

- P1 - YELLOW
- P2 - WHITE
- P3 - ASPHALT

5 TYP. PAINTED CROSSWALK
SCALE: N.T.S.



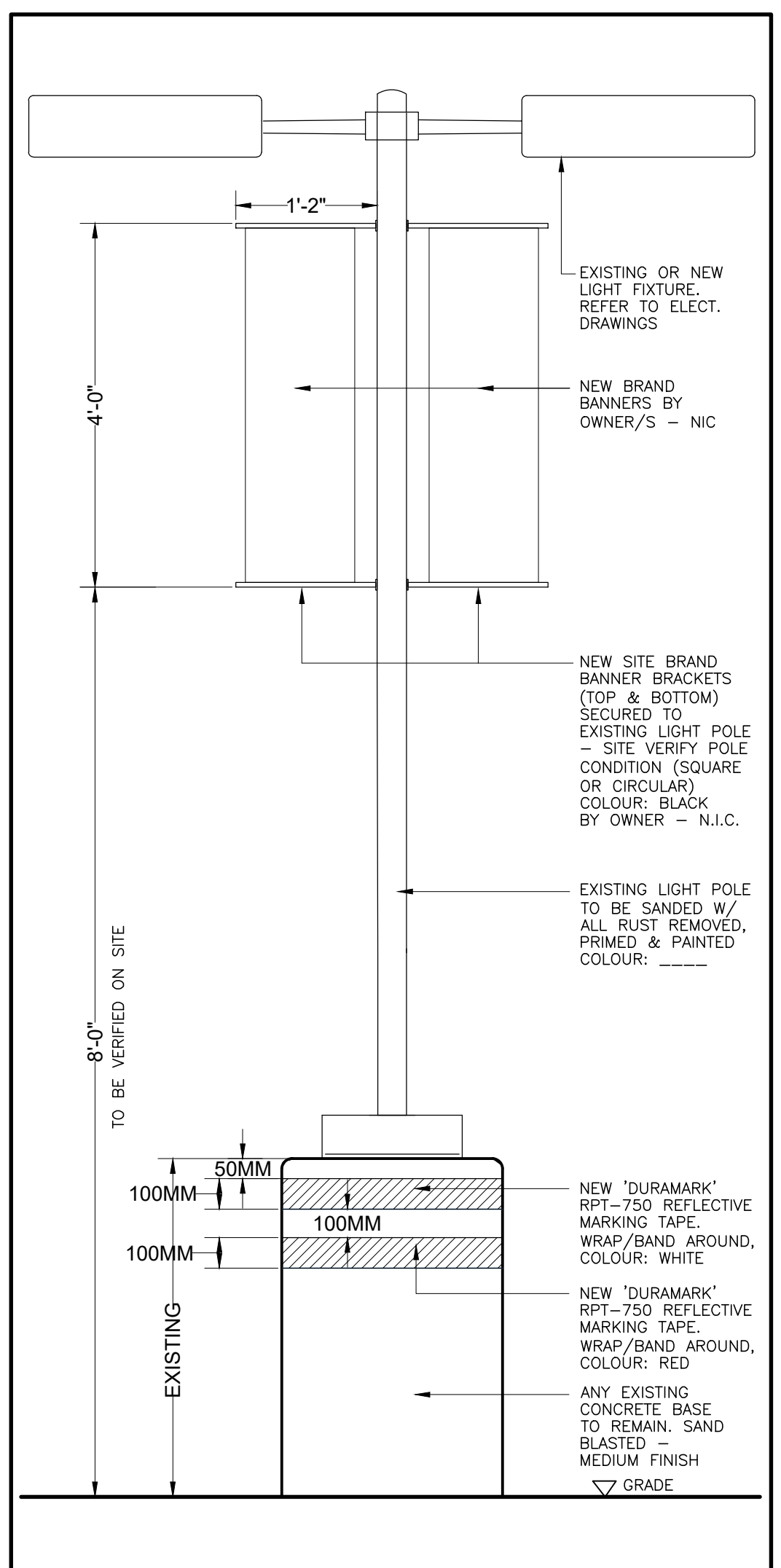
ELEVATION DETAIL A



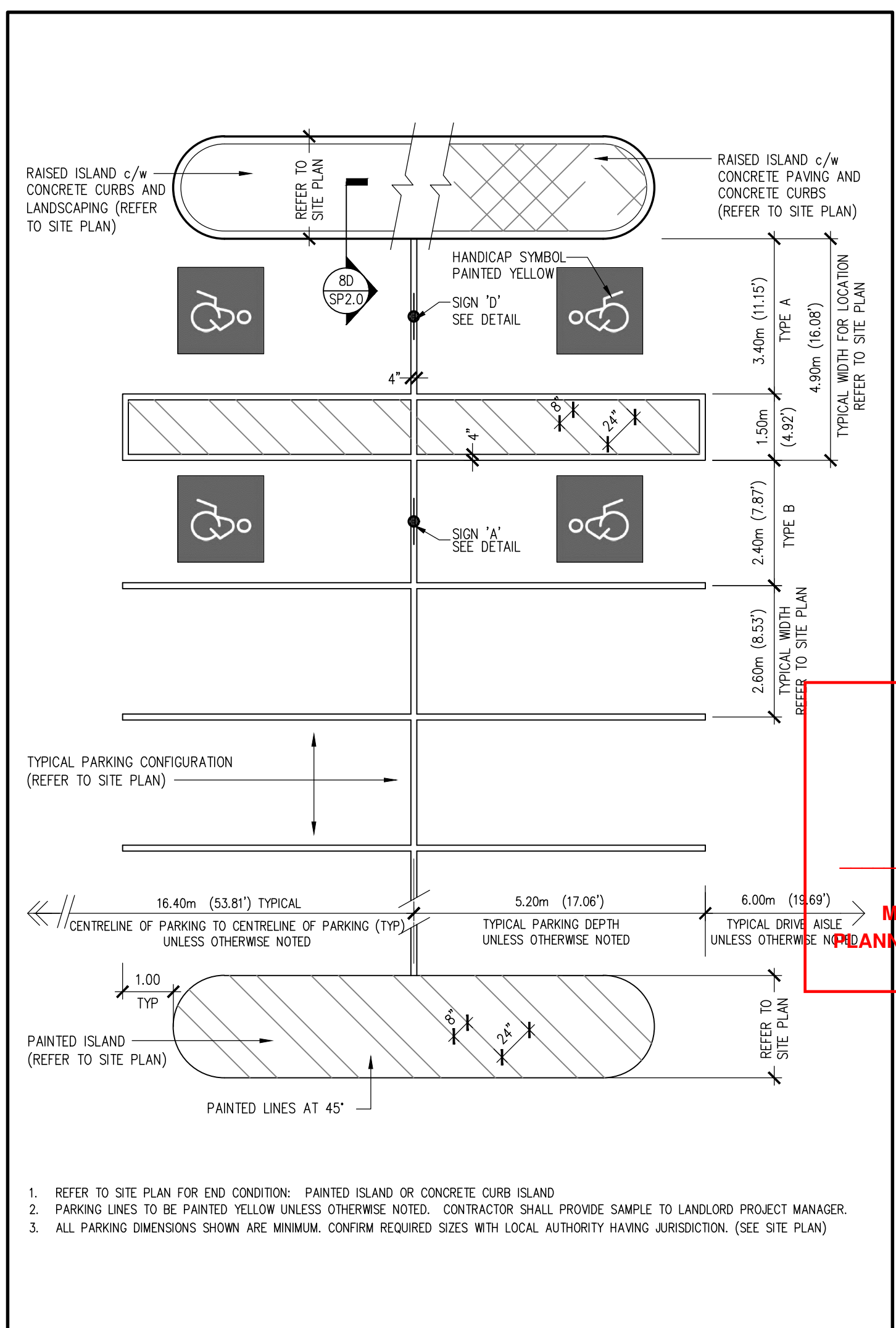
AXONOMETRIC

(TYPICAL OF 10, REFER TO FLOOR PLAN)
RIOCAN CUSTOM SKYLINE BIKE RACK
BY HAUSER INDUSTRIES INC.
330 WEBER STREET (N), WATERLOO N2J 3H6, ONTARIO, CANADA
PHONE: (519) 747-1138 TOLL FREE: 1-800-268-7328 www.hauser.ca

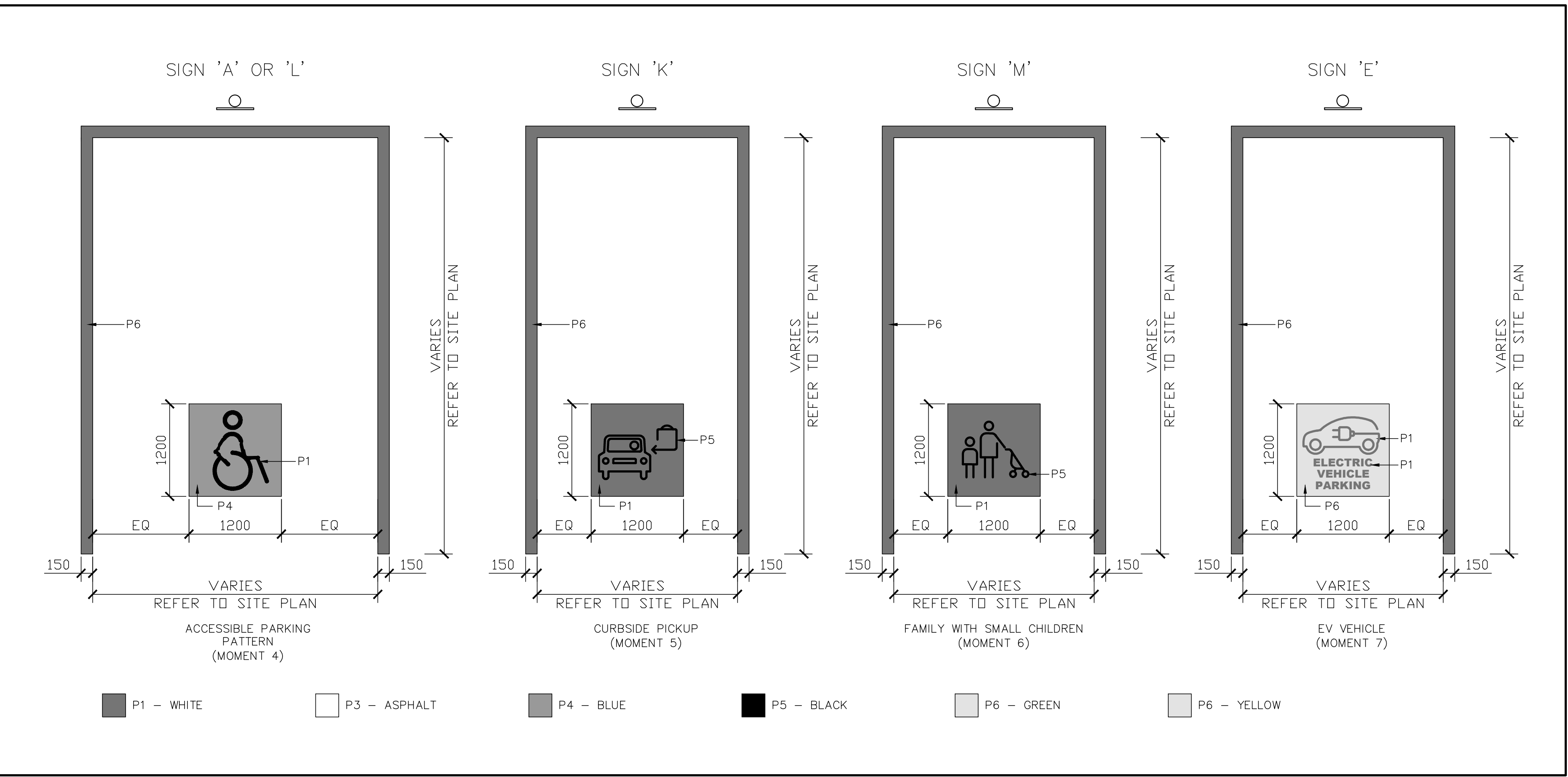
4 CUSTOM BIKE RACK DETAILS
SCALE: N.T.S.



3 TYP. LIGHT POLE DETAIL
SCALE: N.T.S.



2 TYP. PARKING DIMENSIONS
SCALE: N.T.S.



1 BRANDED ID PARKING SPACE (IDS)
SCALE: N.T.S.

G. Wildman
GERALDINE WILDMAN
MANAGER, DEVELOPMENT REVIEW SOUTH
PLANNING, DEVELOPMENT AND BUILDING SERVICES
DEPARTMENT, CITY OF OTTAWA

APPROVED
By wildmange at 3:39 pm, Jun 19, 2026

REV	BY	DESCRIPTION	DATE
AZ		REVISED PER CITY COMMENTS 3	MAR 12 2026
AZ		ISSUED FOR PERMIT	FEB 19 2026
AZ		ISSUED FOR TENDER	FEB 13 2026
AZ		ISSUED FOR TENANTS REVIEW 95%	FEB 04 2026
AZ		REVISED PER CITY COMMENTS 1	OCT 31 2025
AZ		ISSUED FOR SITE PLAN APPLICATION	MAR 21 2025

CONTRACTOR SHALL CHECK AND VERIFY ALL DIMENSIONS ON SITE
DO NOT SCALE DRAWINGS

RIOCAN
REAL ESTATE INVESTMENT TRUST
RIOCAN YONGE EGLINTON CENTRE, 500-2300 YONGE STREET
P.O. Box 2386, TORONTO, ON M4P 1E4

ANTHONY ZAGARIA
ARCHITECT
345A - 700 LAWRENCE AVENUE WEST
TORONTO, ONTARIO M5A 3B4
V: (416) 783-6878 E: AZ@PBLARCH.CA
WWW.LLARCH.CA

ONTARIO ASSOCIATION OF ARCHITECTS
ANTONIO ZAGARIA
LICENCE 8843

PROJECT
PROPOSED REDEVELOPMENT OF WESTGATE SC
1309 CARLING AVENUE OTTAWA, ONTARIO

DRAWING TITLE
TYPICAL DETAILS

DRAWN BY	LV	COMM. NO.	24-73
CHECKED	AZ	DRAWING NO.	
SCALE	AS NOTED		
DATE	FEB 12 2025		

SP2.1