

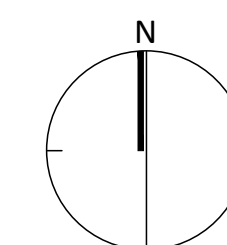
MATTAMY HOMES WATERIDGE VILLAGE BLOCK 105



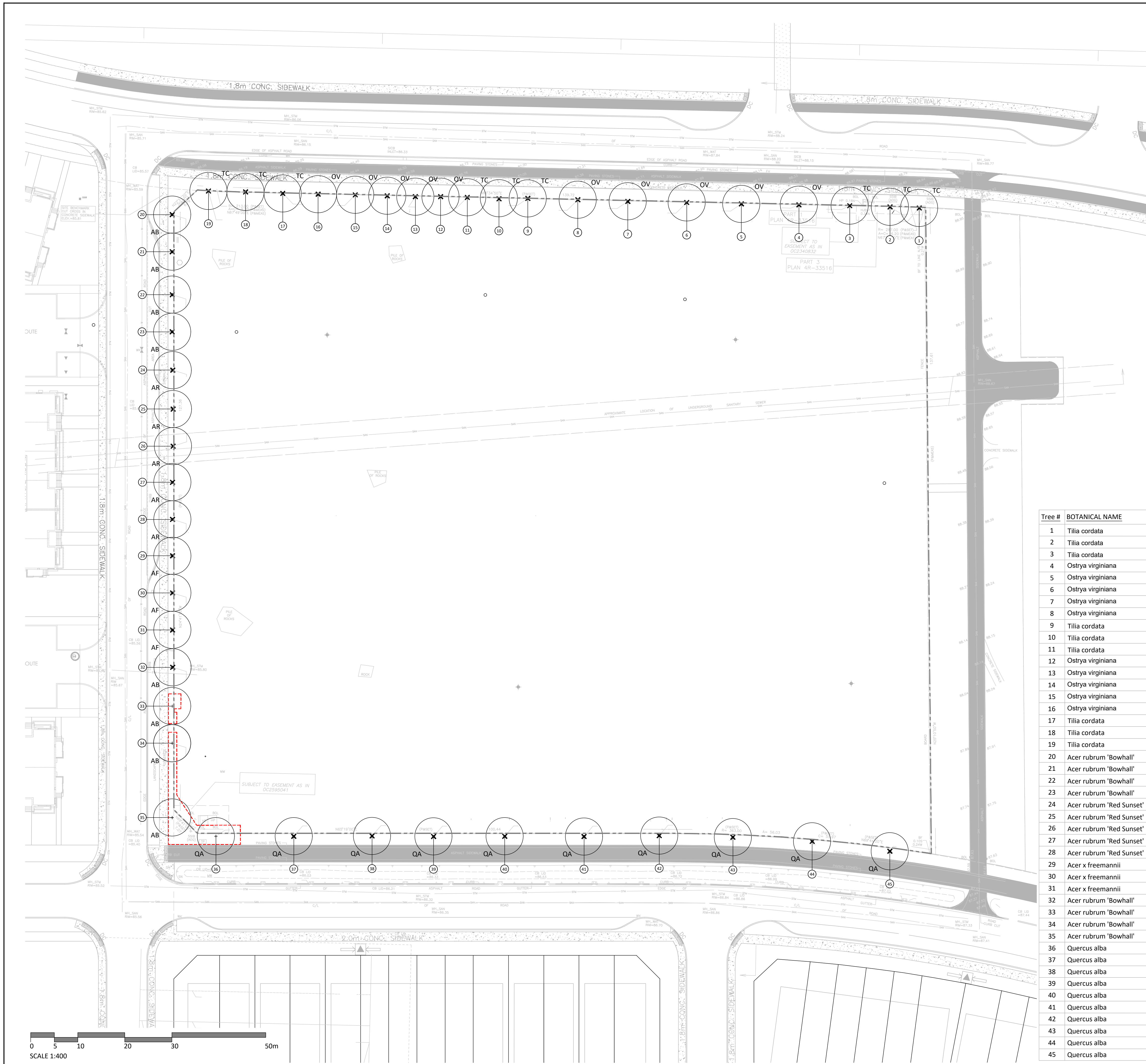
ISSUED FOR THIRD SUBMISSION SPA
FEBRUARY 2, 2026

LIST OF DRAWINGS:

- L1.0 - TREE INFORMATION REPORT (TIR)
- L2.0 - LANDSCAPE PLAN
- L3.0 - DETAILS
- L4.0 - DETAILS

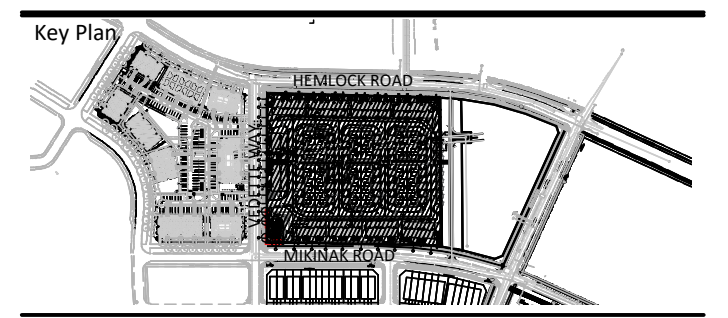


KEYMAP
1:400



ARBORIST: PAT GAUVREAU
ISA CERTIFICATION NUMBER: ON-3138A

Tree #	BOTANICAL NAME	COMMON NAME	DBH (mm)	OWNERSHIP	CONDITION	TO BE PRESERVED
1	Tilia cordata	Little Leaf Linden	35	Public - ROW	MODERATE	NO
2	Tilia cordata	Little Leaf Linden	35	Public - ROW	GOOD	NO
3	Tilia cordata	Little Leaf Linden	35	Public - ROW	GOOD	NO
4	Ostrya virginiana	Ironwood	35	Public - ROW	GOOD	NO
5	Ostrya virginiana	Ironwood	35	Public - ROW	GOOD	NO
6	Ostrya virginiana	Ironwood	35	Public - ROW	GOOD	NO
7	Ostrya virginiana	Ironwood	35	Public - ROW	GOOD	NO
8	Ostrya virginiana	Ironwood	35	Public - ROW	GOOD	NO
9	Tilia cordata	Little Leaf Linden	35	Public - ROW	GOOD	NO
10	Tilia cordata	Little Leaf Linden	35	Public - ROW	GOOD	NO
11	Tilia cordata	Little Leaf Linden	35	Public - ROW	GOOD	NO
12	Ostrya virginiana	Ironwood	35	Public - ROW	GOOD	NO
13	Ostrya virginiana	Ironwood	35	Public - ROW	GOOD	NO
14	Ostrya virginiana	Ironwood	35	Public - ROW	GOOD	NO
15	Ostrya virginiana	Ironwood	35	Public - ROW	GOOD	NO
16	Ostrya virginiana	Ironwood	35	Public - ROW	GOOD	NO
17	Tilia cordata	Little Leaf Linden	35	Public - ROW	GOOD	NO
18	Tilia cordata	Little Leaf Linden	35	Public - ROW	GOOD	NO
19	Tilia cordata	Little Leaf Linden	35	Public - ROW	GOOD	NO
20	Acer rubrum 'Bowhall'	Red Maple 'Bowhall'	36	Public - ROW	GOOD	NO
21	Acer rubrum 'Bowhall'	Red Maple 'Bowhall'	35	Public - ROW	GOOD	NO
22	Acer rubrum 'Bowhall'	Red Maple 'Bowhall'	35	Public - ROW	GOOD	NO
23	Acer rubrum 'Bowhall'	Red Maple 'Bowhall'	35	Public - ROW	GOOD	NO
24	Acer rubrum 'Red Sunset'	Red Maple 'Red Sunset'	21	Public - ROW	GOOD	NO
25	Acer rubrum 'Red Sunset'	Red Maple 'Red Sunset'	21	Public - ROW	GOOD	NO
26	Acer rubrum 'Red Sunset'	Red Maple 'Red Sunset'	29	Public - ROW	GOOD	NO
27	Acer rubrum 'Red Sunset'	Red Maple 'Red Sunset'	29	Public - ROW	GOOD	NO
28	Acer rubrum 'Red Sunset'	Red Maple 'Red Sunset'	29	Public - ROW	GOOD	NO
29	Acer x freemannii	Freeman Maple	29	Public - ROW	GOOD	NO
30	Acer x freemannii	Freeman Maple	28	Public - ROW	GOOD	NO
31	Acer x freemannii	Freeman Maple	28	Public - ROW	GOOD	NO
32	Acer rubrum 'Bowhall'	Red Maple 'Bowhall'	25	Public - ROW	GOOD	NO
33	Acer rubrum 'Bowhall'	Red Maple 'Bowhall'	35	Public - ROW	GOOD	YES
34	Acer rubrum 'Bowhall'	Red Maple 'Bowhall'	35	Public - ROW	POOR	YES
35	Acer rubrum 'Bowhall'	Red Maple 'Bowhall'	35	Public - ROW	GOOD	YES
36	Quercus alba	White Oak	54	Public - ROW	MODERATE	YES
37	Quercus alba	White Oak	55	Public - ROW	POOR	NO
38	Quercus alba	White Oak	46	Public - ROW	MODERATE	NO
39	Quercus alba	White Oak	57	Public - ROW	GOOD	NO
40	Quercus alba	White Oak	54	Public - ROW	GOOD	NO
41	Quercus alba	White Oak	58	Public - ROW	POOR	NO
42	Quercus alba	White Oak	38	Public - ROW	GOOD	NO
43	Quercus alba	White Oak	47	Public - ROW	GOOD	NO
44	Quercus alba	White Oak	55	Public - ROW	GOOD	NO
45	Quercus alba	White Oak	64	Public - ROW	GOOD	NO



LEGEND

- PROPERTY LINE
- GEOTECH FOUNDATION SETBACK (4.5m, 18m)
- CANOPY PROJECTION

PLANTING

- EXISTING STREET TREE (4) TO REMAIN (AMENITY AREA)
- EXISTING STREET TREE TO BE REMOVED (41) TO BE REMOVED
- LARGE DECIDUOUS TREE
- MEDIUM DECIDUOUS TREE
- SMALL DECIDUOUS TREE
- CONIFEROUS TREE
- DECIDUOUS SHRUB
- PERENNIAL PLANTING
- SOD
- TREE PROTECTION FENCING

PAVING

- CIP CONCRETE PAVING
- UNIT PAVING
- STONE DUST PAVING
- PRECAST CONCRETE STEP

AMENITY FEATURES

- WAYFINDING, 2D ANIMAL SCULPTURE
- BENCH, ARMOUR STONE SEATING

PLANTING KEY

- TREE SPECIES
- QUANTITY
- SHRUB SPECIES
- QUANTITY

DETAIL KEY

- DETAIL NO.
- SHEET NO.

Revision

No.	Description	Date
7	Issued for Third Submission SPA	Feb 02/26
6	Issued for Revised Second Submission SPA	Nov 07/25
5	Issued for Coordination	Oct 21/25
4	Issued for Second Submission SPA	June 20/25
3	Issued for SPA	May 5/25
2	Issued for Coordination	May 1/25
1	Issued for Coordination	Apr. 17/25

OWNERSHIP: MATTAMY HOMES, 50 Hines Rd., Suite 100, Ottawa ON K2K 2M5

ARCHITECT: KORDIAK, 277 Lakeshore Rd., #K206, Oakville ON L6J 3H9

CIVIL: STANTEC, 300-1311 Clyde Ave., Ottawa ON K2C 2G4

LANDSCAPE ARCHITECT: NAK DESIGN STRATEGIES, 1285 Wellington St., Ottawa ON K1Y 3A8

ELECTRICAL: IRL, 5430 Canotek Rd., Ottawa ON K1J 9G2

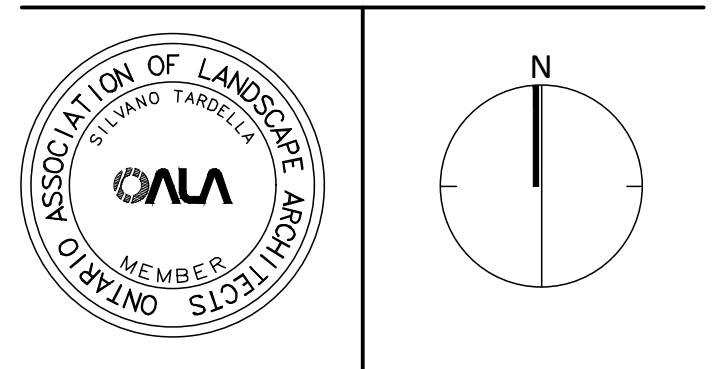
TRANSPORTATION: NOVATECH, 240 Michael Cowland Dr., Suite 200, Ottawa, ON, K2M1P6

NOISE: GRADIENT WIND, 127 Walgreen Rd., Carp ON K0A 1J0

SURVEY: J.D. Barnes, 62 Steacie Dr. Unit 103, Kanata ON K2K 2A9

GEOTECH: PATRICKSON GROUP, 9 Aungmye Drive, Ottawa ON K2E 779

PROPERTY INFORMATION: Plan of Submission of parts of lots 22, 23, and 24, Concession 1 (Ottawa Front), Geographic Township of Gloucester, City of Ottawa, Registered Plan 4M-1559



NAK design strategies

1285 WELLINGTON STREET, OTTAWA, ON K1Y 3A8 CANADA
#1 23. 2345 NAKDESIGNSTRATEGIES.COM

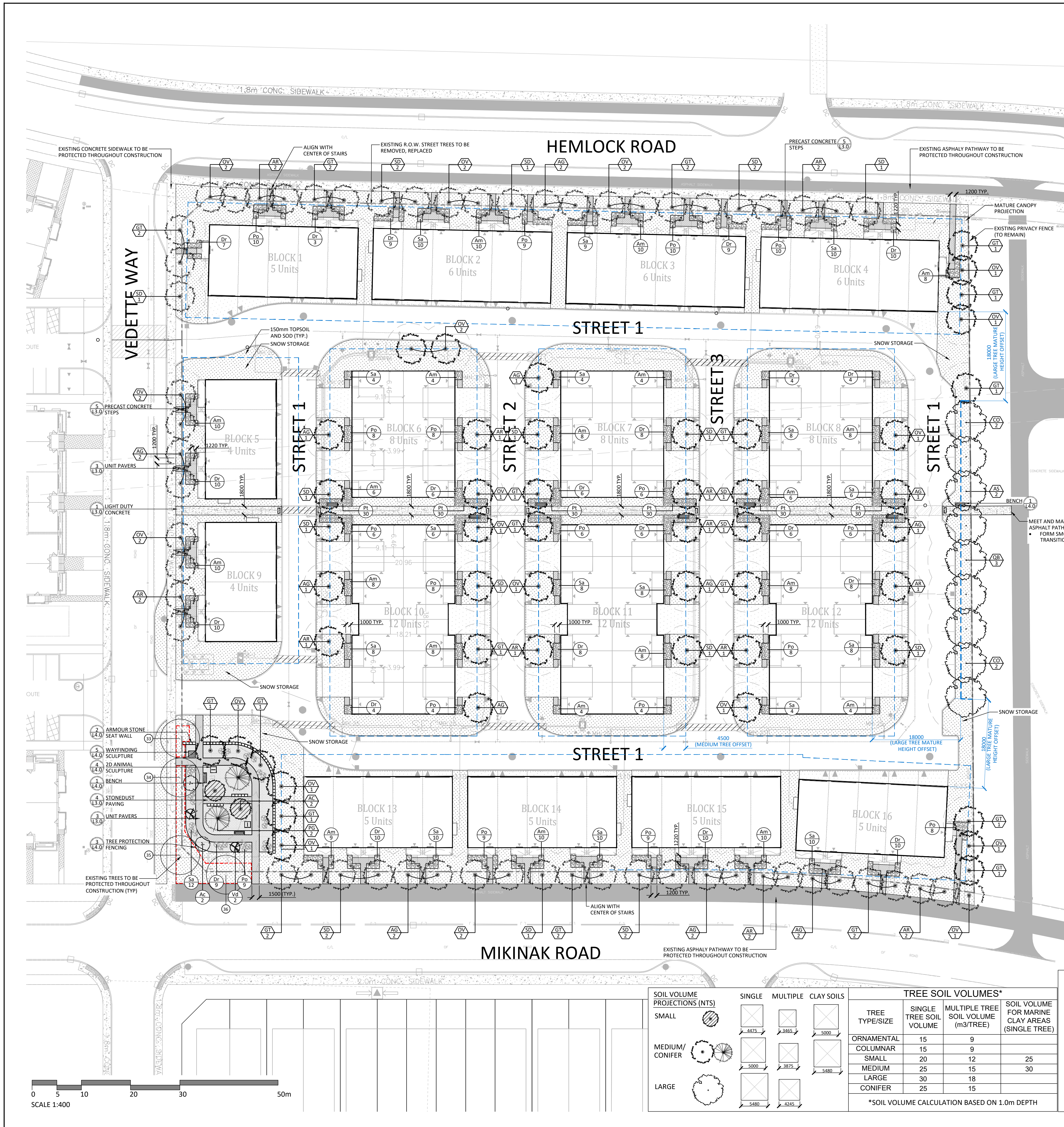
**BLOCK 105
615 MIKINAK ROAD
WATERIDGE VILLAGE**

Title: **TREE INFORMATION REPORT (TIR)**

Date: 2025-03-19 | Sheet: **L1.0**

Scale: 1:400
Drawn: JE
Checked: SC
Job No.: 25-066

CITY FILE N° D07-12-25-0063



GENERAL NOTES:

- ALL PLANT MATERIAL SHALL BE NURSERY GROWN STOCK UNLESS OTHERWISE NOTED.
- TREES TO HAVE A MINIMUM 1800 CLEAR STEM ABOVE GRADE.
- CONTRACTOR TO MAKE GOOD ALL EXISTING AREAS DAMAGED BY HIS WORK TO THE SATISFACTION OF THE CONTRACTOR.
- ALL PLANT MATERIAL SHALL BE WARRANTIED FOR TWO YEARS FROM THE DATE OF SUBSTANTIAL COMPLETION.
- CONTRACTOR TO VERIFY LOCATION OF ALL SERVICES PRIOR TO ANY EXCAVATION.
- ANY PROPOSED SUBSTITUTIONS OF PLANT SPECIES SHALL BE MADE WITH PLANTS OF EQUIVALENT OVERALL FORM, HEIGHT, BRANCHING HABIT, FLOWER, LEAF, COLOR, FRUIT AND CULTURE AND ONLY AFTER APPROVAL OF THE LANDSCAPE ARCHITECT.

TREE PLANTING IN MARINE CLAY SOILS

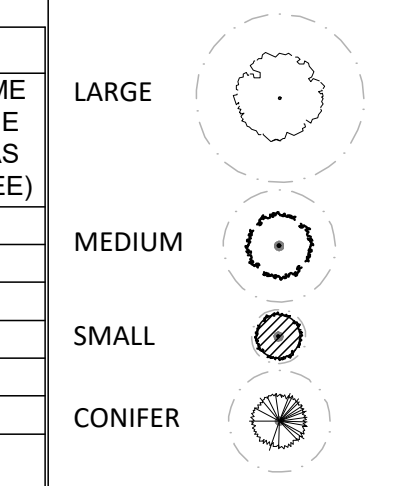
THE LANDSCAPE CONSIDERATIONS CONTAINED WITHIN SEC. 6.8 OF PATERSON GROUP'S GEOTECHNICAL INVESTIGATION, DATED MARCH 20, 2025.

- THIS LANDSCAPE PLAN CONFORMS WITH THE TREE-TO-FOUNDATION SETBACK, SOIL VOLUME, AND SURFACE-GRADING REQUIREMENTS OUTLINED IN THE CITY OF OTTAWA'S GUIDELINES FOR TREE PLANTING IN SENSITIVE MARINE CLAY SOILS (2017), BASED ON THE FINDINGS OUTLINED IN THE PROJECT GEOTECHNICAL REPORT BY PATERSON GROUP (REPORT PG7353-1 DATED MARCH 20, 2025).
- ADDITIONAL REQUIREMENTS OUTLINED IN THE CITY OF OTTAWA'S GUIDELINES FOR TREE PLANTING IN SENSITIVE MARINE CLAY SOILS (2017), INCLUDING USE DEPTH, FOUNDATION WALL REINFORCEMENT, AND SUBDIVISION GRADING, SHOULD BE CONFIRMED BY THE PROJECT ENGINEER(S). A SUPPLEMENTAL GEOTECHNICAL MEMO WAS PROVIDED BY PATERSON GROUP (PG7353-MEMO.01 DATED OCTOBER 30, 2025).

PLANT LIST - STREET TREES - R.O.W.

KEY	BOTANICAL NAME	COMMON NAME	QTY	SIZE	TYPE	NATIVE	OWNER
MEDIUM DECIDUOUS TREES							
AG	AESCULUS GLABRA	OHIO BUCKEY	10	50mm CAL	B&B	N	CITY
AR	ACER RUBRUM 'REDPOINTE'	REDPOINTE RED MAPLE	10	50mm CAL	B&B	N	CITY
GT	GLEDITSIA TRIACANTHOS 'INERMIS'	HONEY LOCUST	12	50mm CAL	B&B	Y	CITY
OV	OSTRYA VIRGINIANA	IRONWOOD	13	50mm CAL	B&B	Y	CITY
SD	SORBUS DECORA	MOUNTAIN ASH	12	50mm CAL	B&B	Y	CITY
PLANT LIST - TREES, SHRUBS, PERENNIALS							
KEY	BOTANICAL NAME	COMMON NAME	QTY	SIZE	TYPE	NATIVE	OWNER
LARGE CONIFEROUS TREES							
PG	PICEA GLAUCA	WHITE SPRUCE	2	250cm HT	B&B	Y	PRIVATE
LARGE DECIDUOUS TREES							
AS	ACER SACCHARINUM	SILVER MAPLE	2	50mm CAL	B&B	Y	PRIVATE
QB	QUERCUS BICOLOR	SWAMP WHITE OAK	3	50mm CAL	B&B	Y	PRIVATE
CO	CELTIS OCCIDENTALIS	HACKBERRY	4	50mm CAL	B&B	Y	PRIVATE
MEDIUM DECIDUOUS TREES							
AG	AESCULUS GLABRA	OHIO BUCKEY	7	50mm CAL	B&B	N	PRIVATE
AR	ACER RUBRUM 'REDPOINTE'	REDPOINTE RED MAPLE	9	50mm CAL	B&B	N	PRIVATE
GT	GLEDITSIA TRIACANTHOS 'INERMIS'	HONEY LOCUST	13	50mm CAL	B&B	Y	PRIVATE
OV	OSTRYA VIRGINIANA	IRONWOOD	13	50mm CAL	B&B	Y	PRIVATE
SD	SORBUS DECORA	MOUNTAIN ASH	9	50mm CAL	B&B	Y	PRIVATE
SMALL DECIDUOUS TREES							
AC	AMELANCHIER CANADENSIS	SERVICEBERRY	2	40mm CAL.	B&B	Y	PRIVATE
DECIDUOUS SHRUBS							
Ac	AMELANCHIER CANADENSIS	SERVICEBERRY	2	7 GAL. (CLUMP)	POT	Y	PRIVATE
Am	ARONIA MELANOCARPA	BLACK CHOKEBERRY	154	3 GAL.	POT	Y	PRIVATE
Sa	SYMPHORICARPOS ALBUS	SNOWBERRY	135	3 GAL.	POT	Y	PRIVATE
Po	PHYSCARPUS OPULIFOLIUS 'NANUS'	DWARF NINEBARK	138	3 GAL.	POT	N	PRIVATE
Pt	PHYSCARPUS OPULIFOLIUS 'TINY WINE'	DWARF NINEBARK	180	3 GAL.	POT	N	PRIVATE
Dr	DIERVILLA LONICERA	BUSH HONEYSUCKLE	160	3 GAL.	POT	Y	PRIVATE
Vd	VIBURNUM DENTATUM	ARROWOOD VIBURNUM	2	7 GAL.	POT	Y	PRIVATE
PERENNIALS (AMENITY SPACE)							
ac	ANEMONE CANADENSIS	CANADIAN ANEMONE	309	2 GAL.	POT	Y	PRIVATE
af	ATHYRIUM FILIX-FEMINA	LADY FERN	309	2 GAL.	POT	Y	PRIVATE
cp	CAREX PENNSYLVANICA	FOX SEDGE	312	2 GAL.	POT	Y	PRIVATE
hm	HEUCHERA MACRORHIZA	CORAL BELLS	309	2 GAL.	POT	Y	PRIVATE
pa	POLYSTICHUM ACROSTICHOIDES	CHRISTMAS FERN	309	2 GAL.	POT	Y	PRIVATE

CANOPY PROJECTIONS (NTS)

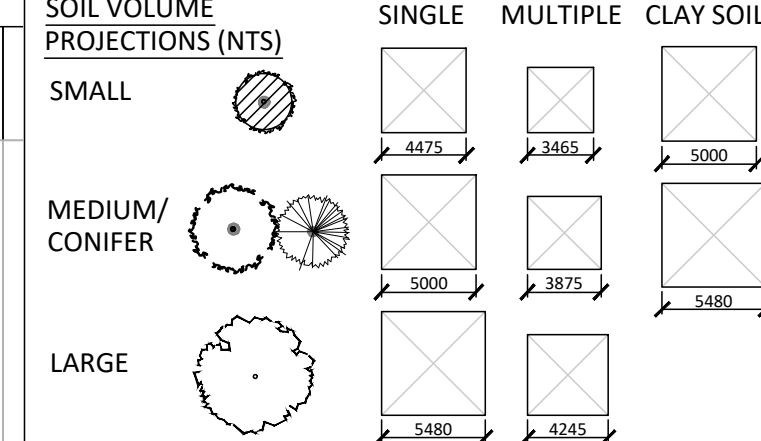


PROPOSED TREE CANOPY PROJECTIONS

TREE TYPE/SIZE	CROWN AREA PER TREE STANDARD RANGE (m²)	CROWN AREA PER TREE USED FOR CALC. (m²)	SITE CANOPY COVER
LARGE (9)	135-250*	192	CANOPY (W. OVERLAP): 5,645.80m²
MEDIUM (84)	35-135*	85	
SMALL (2)	5-35*	20	
CONIFER (2)	45-96*	70	

*RANGE OF CROWN AREAS IS IN ACCORDANCE WITH PROPOSED TREES SPECIES
 **CROWN AREAS ARE ACCORDING TO THE AVERAGE MATURE CANOPY SIZE OF THE RESPECTIVE SPECIES. CANOPY SIZING HAS BEEN DETERMINED IN REFERENCE TO VARIOUS ARBORICULTURAL AND BOTANICAL SOURCES, SUCH AS: ONTARIO MINISTRY OF NATURAL RESOURCES & FORESTRY (OMNRF); US FOREST SERVICE; FARRAR, J.L. TREES IN CANADA, UNIVERSITY OF GUELPH ARBORETUM, VARIOUS PUBLICATIONS

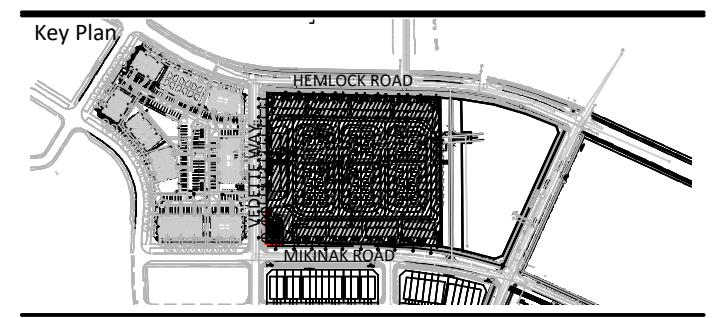
SOIL VOLUME PROJECTIONS (NTS)



TREE SOIL VOLUMES*

TREE TYPE/SIZE	SINGLE TREE SOIL VOLUME	MULTIPLE TREE SOIL VOLUME (m³/TREE)	SOIL VOLUME FOR MARINE CLAY AREAS (SINGLE TREE)
ORNAMENTAL	15	9	
COLUMNAR	15	9	
SMALL	20	12	25
MEDIUM	25	15	30
LARGE	30	18	
CONIFER	25	15	

*SOIL VOLUME CALCULATION BASED ON 1.0m DEPTH



LEGEND

- PROPERTY LINE
- GEOTECH FOUNDATION SETBACK (4.5m, 18m)
- CANOPY PROJECTION
- EXISTING STREET TREE (4) TO REMAIN (AMENITY AREA)
- EXISTING STREET TREE TO BE REMOVED (41) TO BE REMOVED
- LARGE DECIDUOUS TREE
- MEDIUM DECIDUOUS TREE
- SMALL DECIDUOUS TREE
- CONIFEROUS TREE
- DECIDUOUS SHRUB
- PERENNIAL PLANTING
- SOD
- TREE PROTECTION FENCING
- CIP CONCRETE PAVING
- UNIT PAVING
- STONE DUST PAVING
- PRECAST CONCRETE STEP
- WAYFINDING, 2D ANIMAL SCULPTURE
- BENCH, ARMOUR STONE SEATING

PAVING

- CIP CONCRETE PAVING
- UNIT PAVING
- STONE DUST PAVING
- PRECAST CONCRETE STEP

AMENITY FEATURES

- WAYFINDING, 2D ANIMAL SCULPTURE
- BENCH, ARMOUR STONE SEATING

PLANTING KEY

- TREE SPECIES
- QUANTITY
- SHRUB SPECIES
- QUANTITY

DETAIL KEY

- DETAIL NO.
- SHEET NO.

No.	Description	Date
7	Issued for Third Submission SPA	Feb 02/26
6	Issued for Revised Second Submission SPA	Nov 07/25
5	Issued for Coordination	Oct 21/25
4	Issued for Second Submission SPA	June 20/25
3	Issued for SPA	May 5/25
2	Issued for Coordination	May 1/25
1	Issued for Coordination	Apr.17/25

Revision	Description	Date
7	Issued for Third Submission SPA	Feb 02/26
6	Issued for Revised Second Submission SPA	Nov 07/25
5	Issued for Coordination	Oct 21/25
4	Issued for Second Submission SPA	June 20/25
3	Issued for SPA	May 5/25
2	Issued for Coordination	May 1/25
1	Issued for Coordination	Apr.17/25

OWNERSHIP
 MATTAMY HOMES
 50 Hines Rd., Suite 100, Ottawa ON K2K 2M5
 ON, K2M1P6

ARCHITECT
 KORDIAK
 277 Lakeshore Rd., #K206, Oakville ON L6J 3H9

CIVIL
 STANTEC
 300-1311 Clyde Ave., Ottawa ON K2C 2G4

LANDSCAPE ARCHITECT
 NAK DESIGN STRATEGIES
 1285 Wellington St., Ottawa ON K1Y 3A8

ELECTRICAL
 IRL
 5430 Canotek Rd., Ottawa ON K1J 9G2

TRANSPORTATION
 NOVATECH
 240 Michael Cowland Dr., Suite 200, Ottawa, ON, K2M1P6

NOISE
 GRADIENT WND
 127 Walgreen Rd., Carp ON K0A 1L0

SURVEY
 J.D Barnes
 62 Steacie Dr. Unit 103, Kanata ON K2K 2A9

GEOTECH
 PATERSON GROUP
 9 Angus Drive, Ottawa ON K2E 7T9

NAK design strategies
 1285 WELLINGTON STREET, OTTAWA, ON K1Y 3A8 CANADA
 1 613.237.2345
 Project

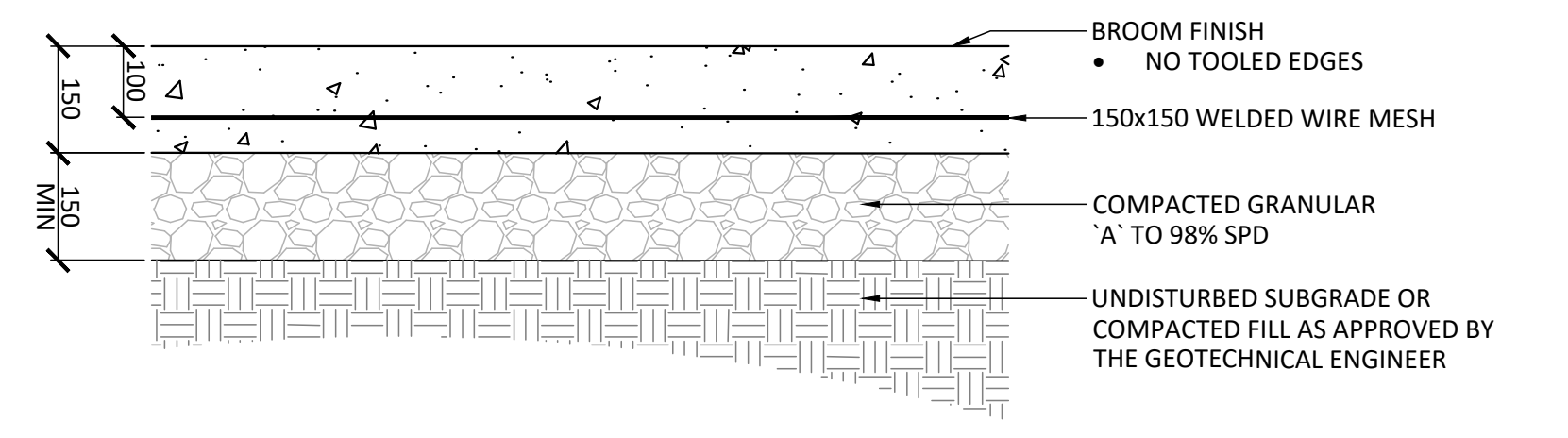
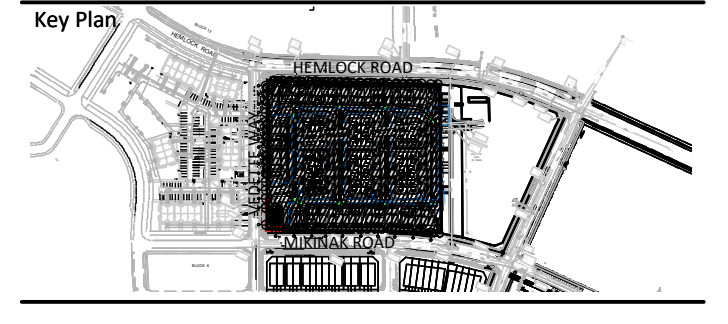
BLOCK 105
615 MIKINAK ROAD
 WATERIDGE VILLAGE

Title
 LANDSCAPE PLAN

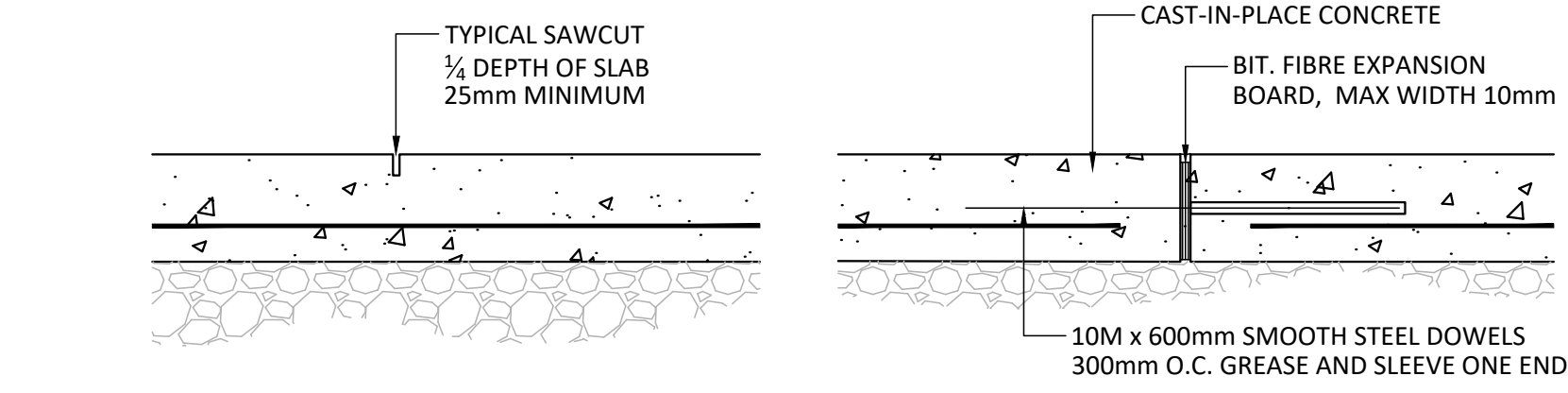
Date	Scale	Drawn	Checked	Job No.
2025-03-19	1:400	JE	SC	25-066

CITY FILE N° D07-12-25-0063

Contractor shall check all dimensions on the work and report any discrepancy to the Landscape Architect before proceeding. All drawings and specifications are the property of the Landscape Architect and must be returned at the completion of the work. This drawing is not to be used for construction until signed by the Landscape Architect.



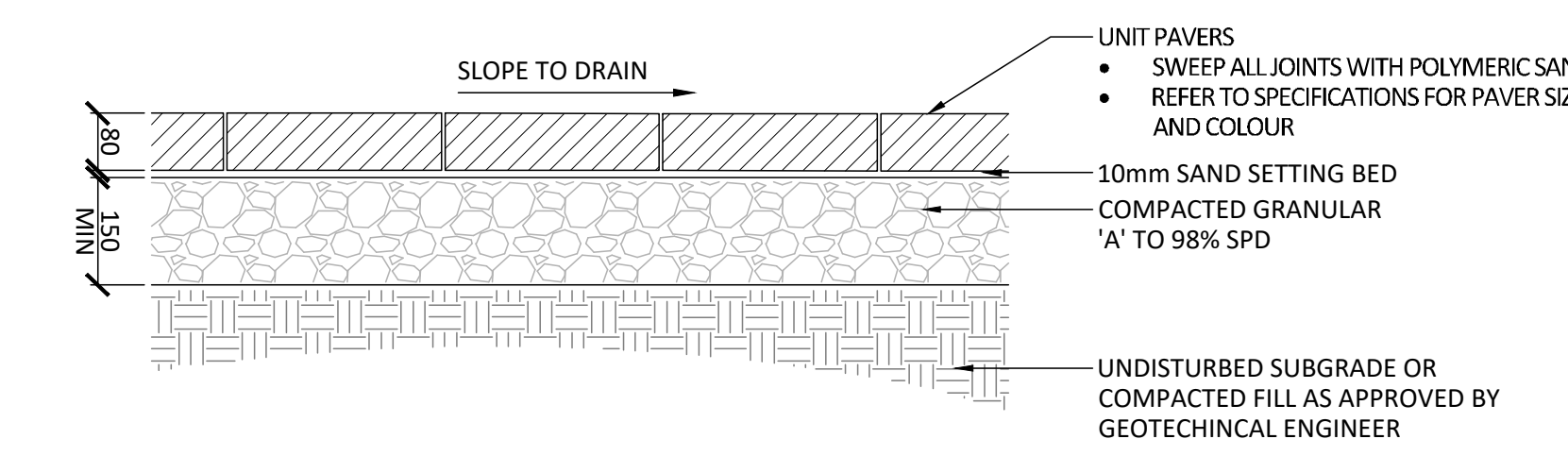
1 LIGHT DUTY CONCRETE
1:10



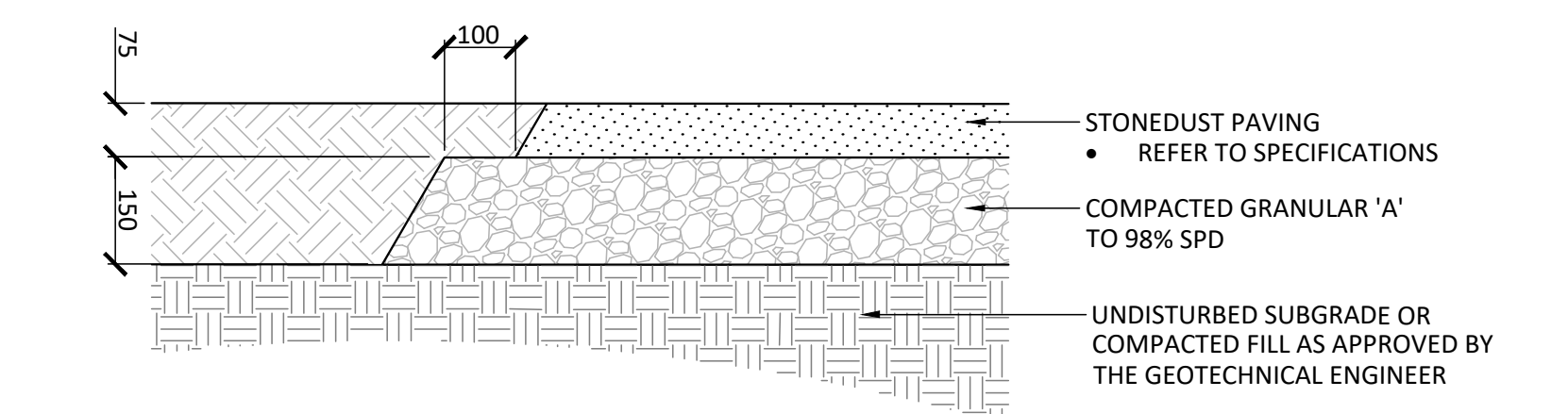
CONTROL JOINT (CJ)
NOTES:
1. REFER TO DRAWINGS FOR JOINT LAYOUT
2. SAWCUT WITHIN 48 HOURS OF POUR

EXPANSION JOINT (EJ)
NOTES:
1. REFER TO DRAWINGS FOR JOINT LAYOUT
2. NO CAULKED JOINTS

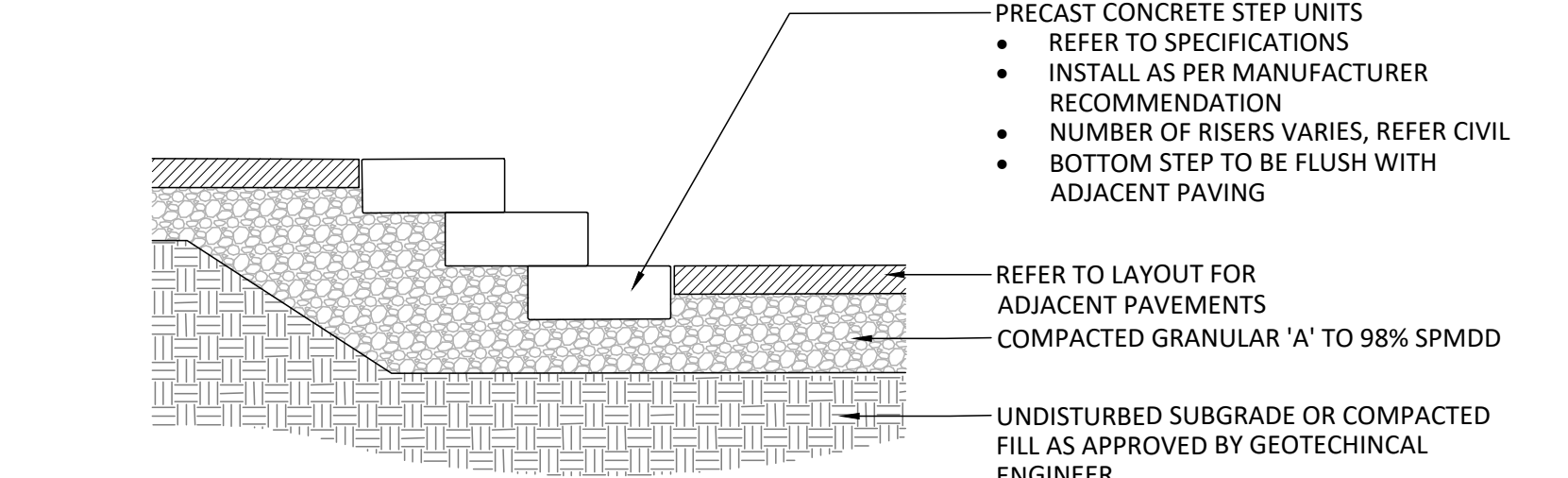
2 LIGHT DUTY CONCRETE - JOINTING
1:10



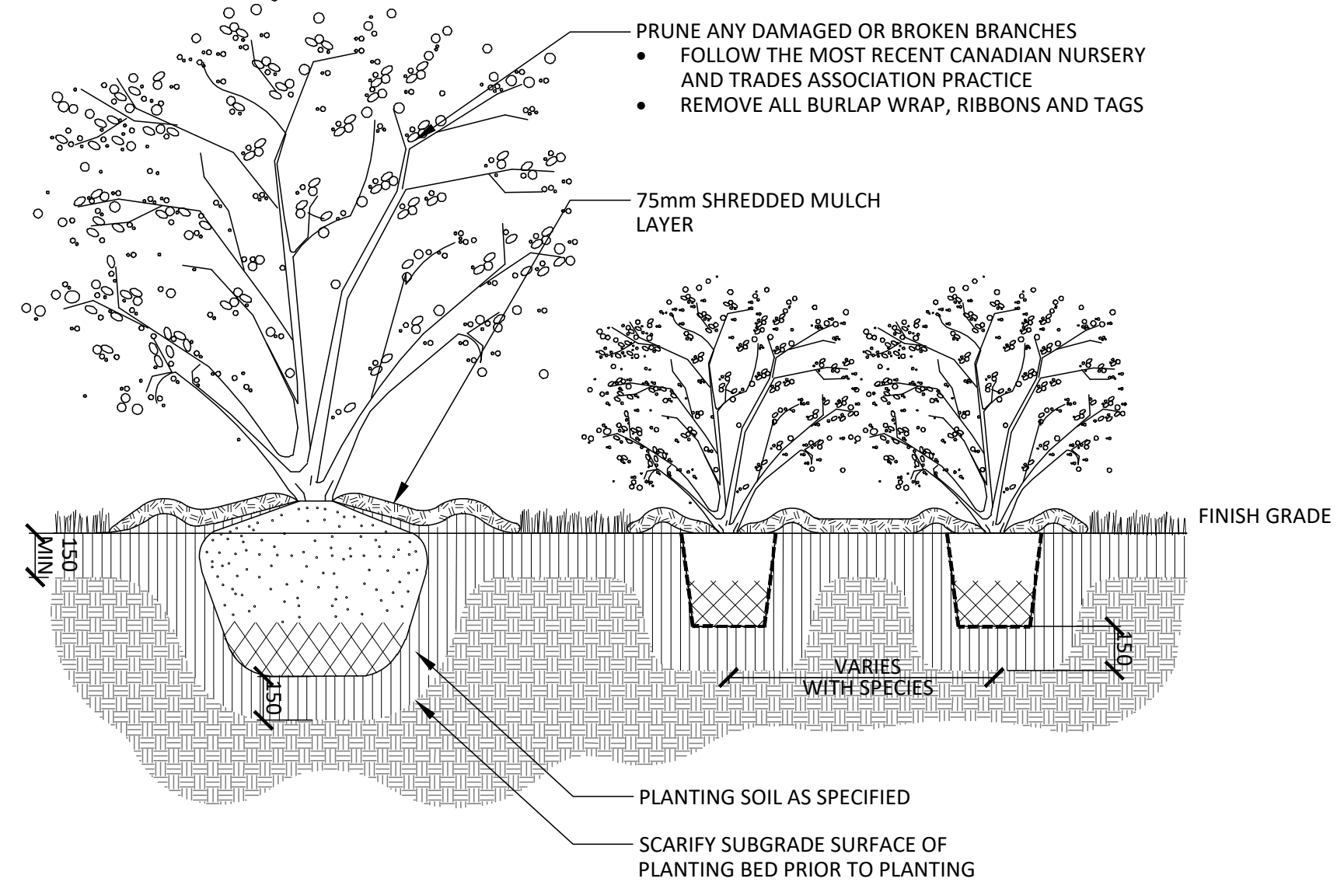
3 UNIT PAVERS
1:10



4 STONE DUST PAVING
1:10

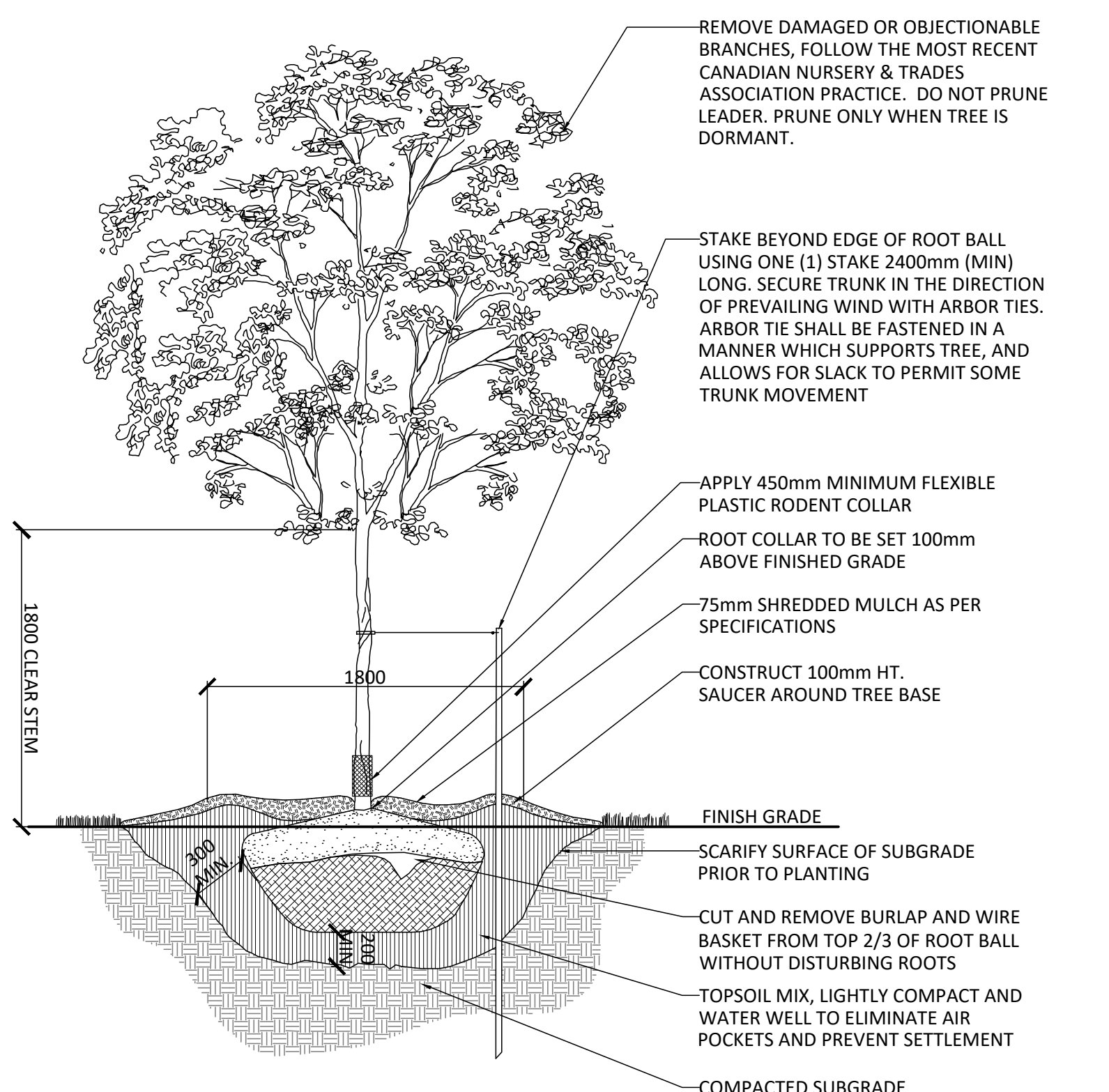


5 PRECAST CONCRETE STEPS
1:20



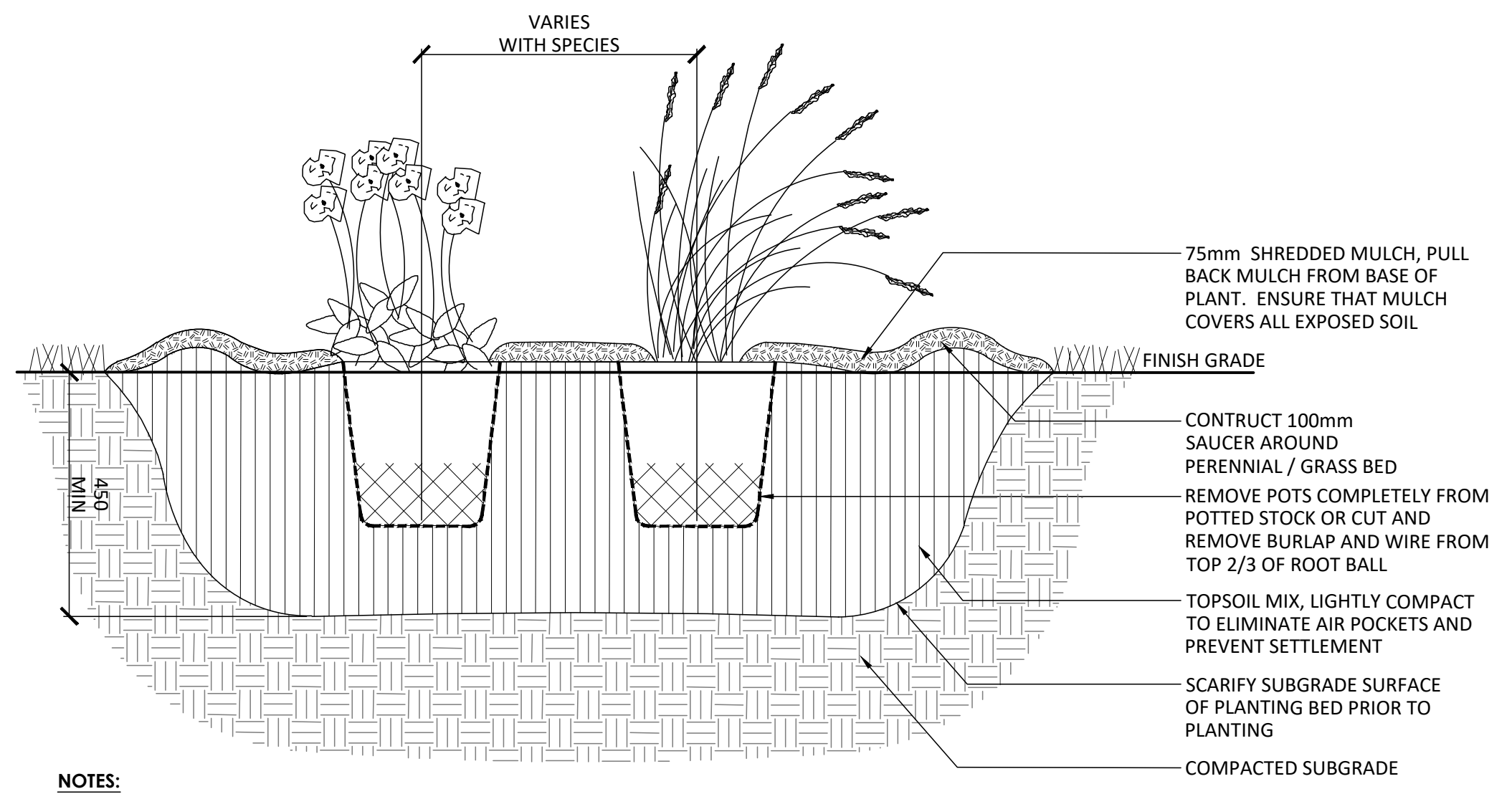
NOTES:
1. SHRUBS SPECIFIED TO BE PLANTED SO THAT ROOTS ARE FULLY EXTENDED IN PLANTING HOLE WITH SOIL MIX BACKFILLED CAREFULLY TO PREVENT ROOT DAMAGE
2. PROVIDE 100mm HIGH EARTH SAUCER AROUND SHRUB BED

6 SHRUB PLANTING
1:20



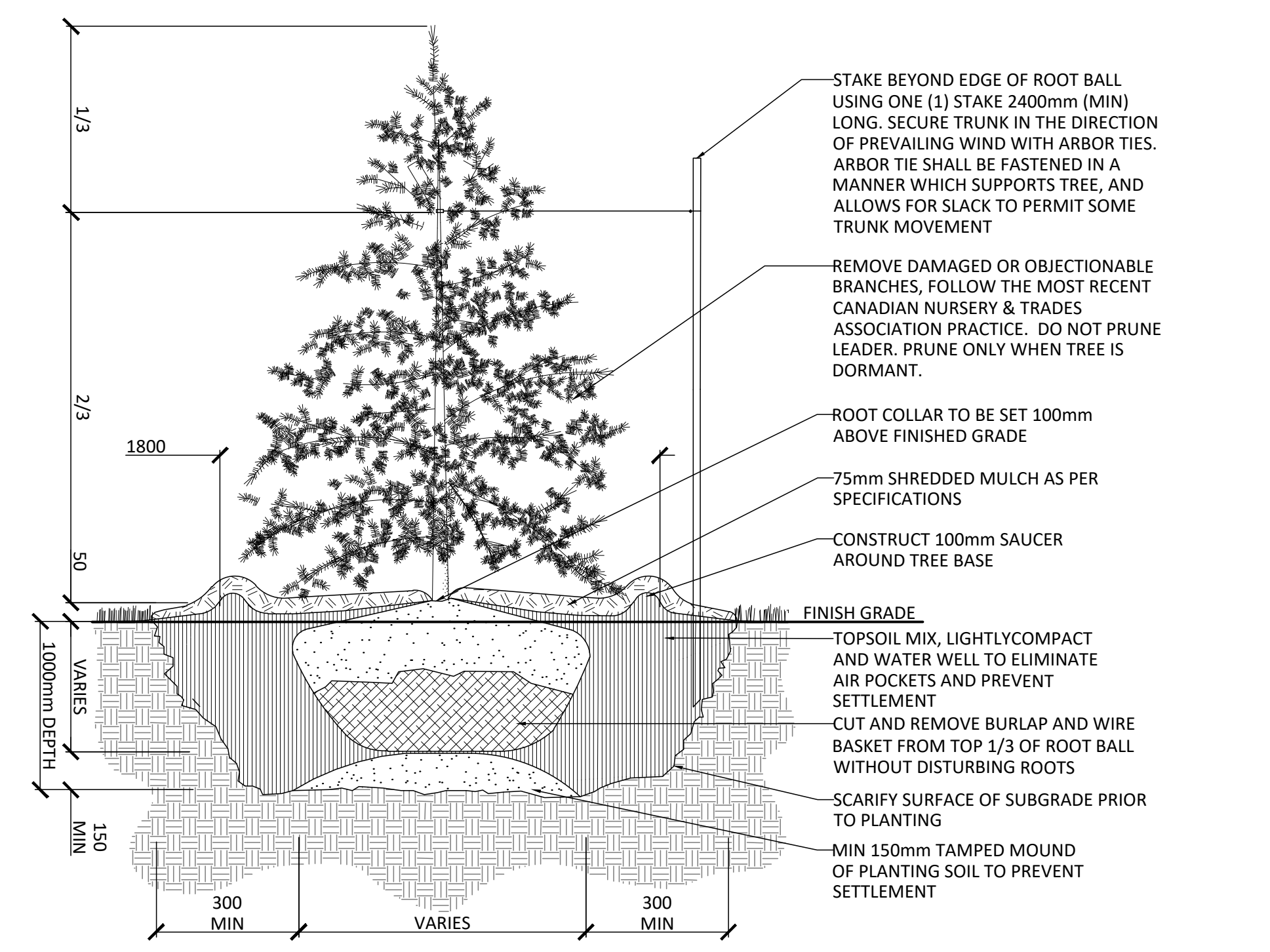
NOTES:
1. REMOVE STAKE AFTER ONE YEAR OR UNTIL TAKEOVER, UNLESS OTHERWISE DIRECTED BY THE LANDSCAPE ARCHITECT.
2. TOPSOIL MIXTURE AND SHREDDED MULCH AS PER SPECIFICATION
3. REMOVE TREE WRAP AFTER PLANTING
4. CALIPER TO BE MEASURED AT THE BASE OF TREE AT ROOT BALL.

7 DECIDUOUS TREE PLANTING
1:30



NOTES:
1. TOPSOIL MIXTURE AND SHREDDED MULCH AS PER SPECIFICATION.
2. PROVIDE 100mm HIGH EARTH SAUCER AROUND PERENNIAL/GRASS BED.

8 PERENNIAL PLANTING
1:10



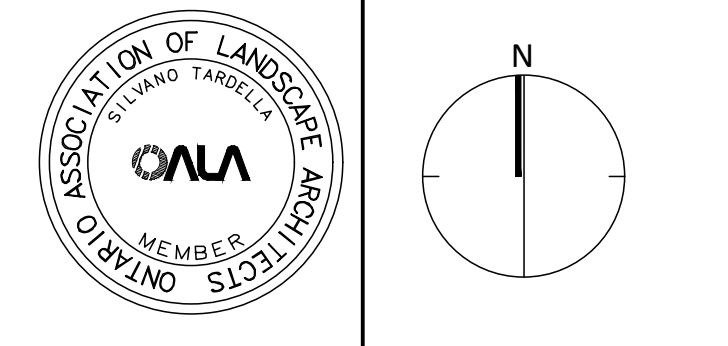
NOTES:
1. REMOVE STAKE AFTER ONE YEAR OR UNTIL TAKEOVER UNLESS OTHERWISE DIRECTED BY THE LANDSCAPE ARCHITECT.
2. TOPSOIL MIXTURE AND SHREDDED MULCH AS PER SPECIFICATION

9 CONIFEROUS TREE PLANTING
1:30

No.	Description	Date
7	Issued for Third Submission SPA	Feb 02/26
6	Issued for Revised Second Submission SPA	Nov 07/25
5	Issued for Coordination	Oct 21/25
4	Issued for Second Submission SPA	June 20/25
3	Issued for SPA	May 5/25
2	Issued for Coordination	May 1/25
1	Issued for Coordination	Apr.17/25

Ownership	Transportation
MATTIARE HOMES 50 Hines Rd., Suite 100, Ottawa ON K2K 2M5 ON, K2M1P6	NOVATECH 240 Michael Cowland Dr., Suite 200, Ottawa, ON, K2M1P6
ARCHITECT K20K46 277 Lakeshore Rd., #R206, Oakville ON L6J 1H9	NOISE GRADIENT WIND 227 Kinggreen Rd., Carp ON K0A 1L0
CIVIL STANTEC 300-1331 Clyde Ave., Ottawa ON K2C 2G4	SURVEY J.D.Barnes 62 Steacie Dr. Unit 103, Kanata ON K2K 2A9
LANDSCAPE ARCHITECT NAK DESIGN STRATEGIES 2385 Wellington St., Ottawa ON K3J 3A8	GEOTECH PATERSON GROUP 9 Auriga Drive, Ottawa ON K2E 7Y9
ELECTRICAL LRL 5430 Canotek Rd., Ottawa ON K1J 9E2	

PROPERTY INFORMATION
Plan of Subdivision of parts of lots 22, 23, and 24, Concession 1 (Ottawa Front), Geographic Township of Gloucester, City of Ottawa, Registered Plan 4M-1559



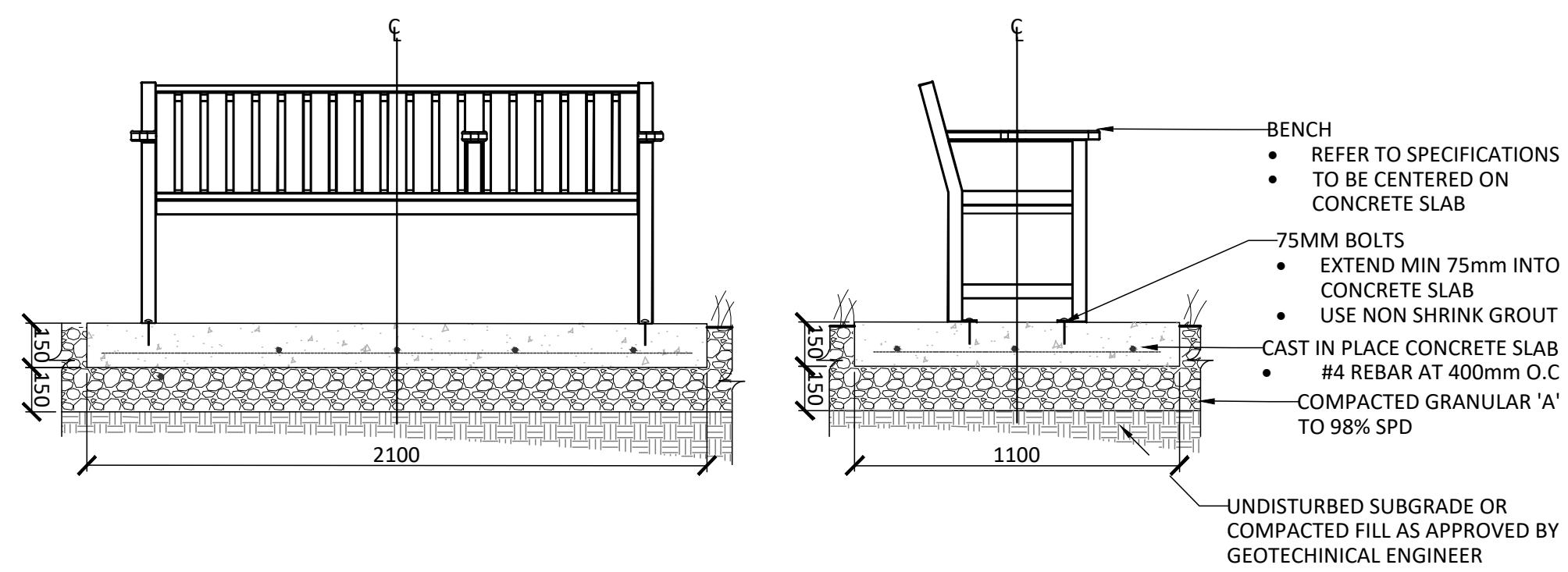
NAK
design strategies
1285 WELLINGTON STREET, OTTAWA, ON K1Y 3A8 CANADA
T 613.237.2345
Project

**BLOCK 105
615 MIKINAK ROAD
WATERIDGE VILLAGE**

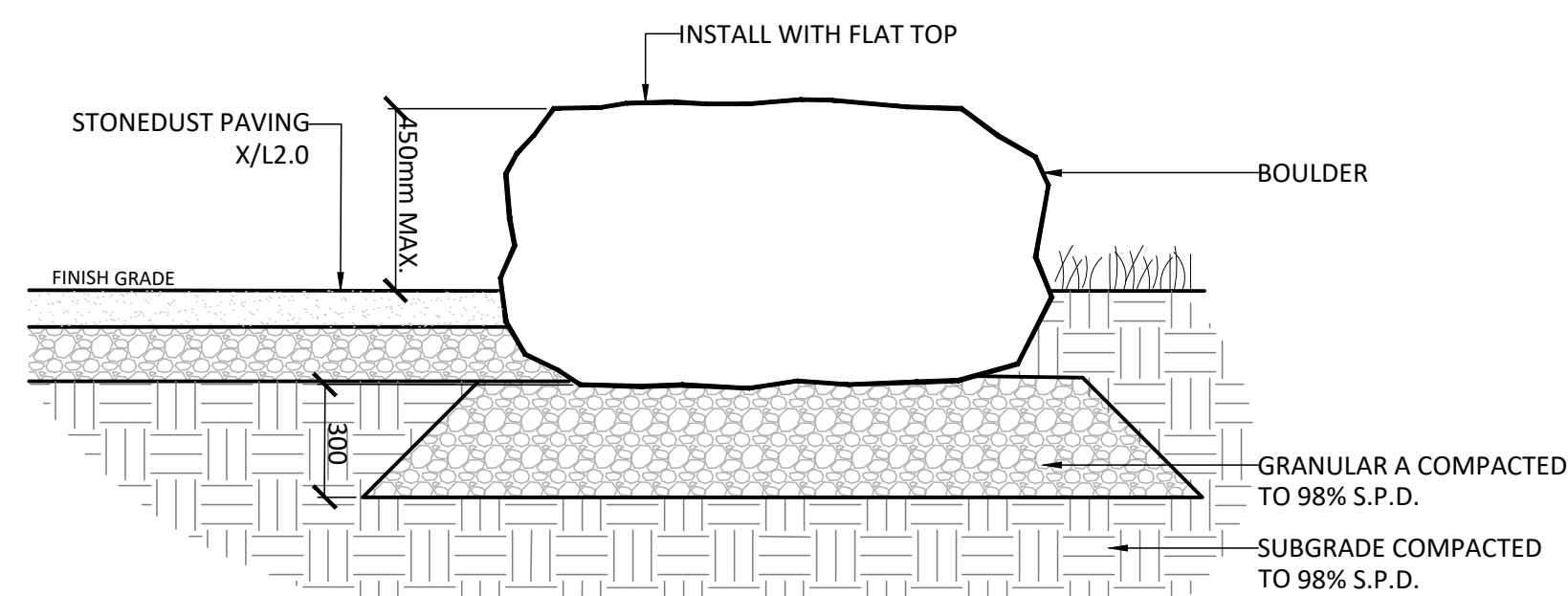
Date	Scale	Drawn	Checked	Job No.
2025-03-19	AS SHOWN	JE	SC	25-066

Sheet
L3.0

CITY FILE N° D07-12-25-0063

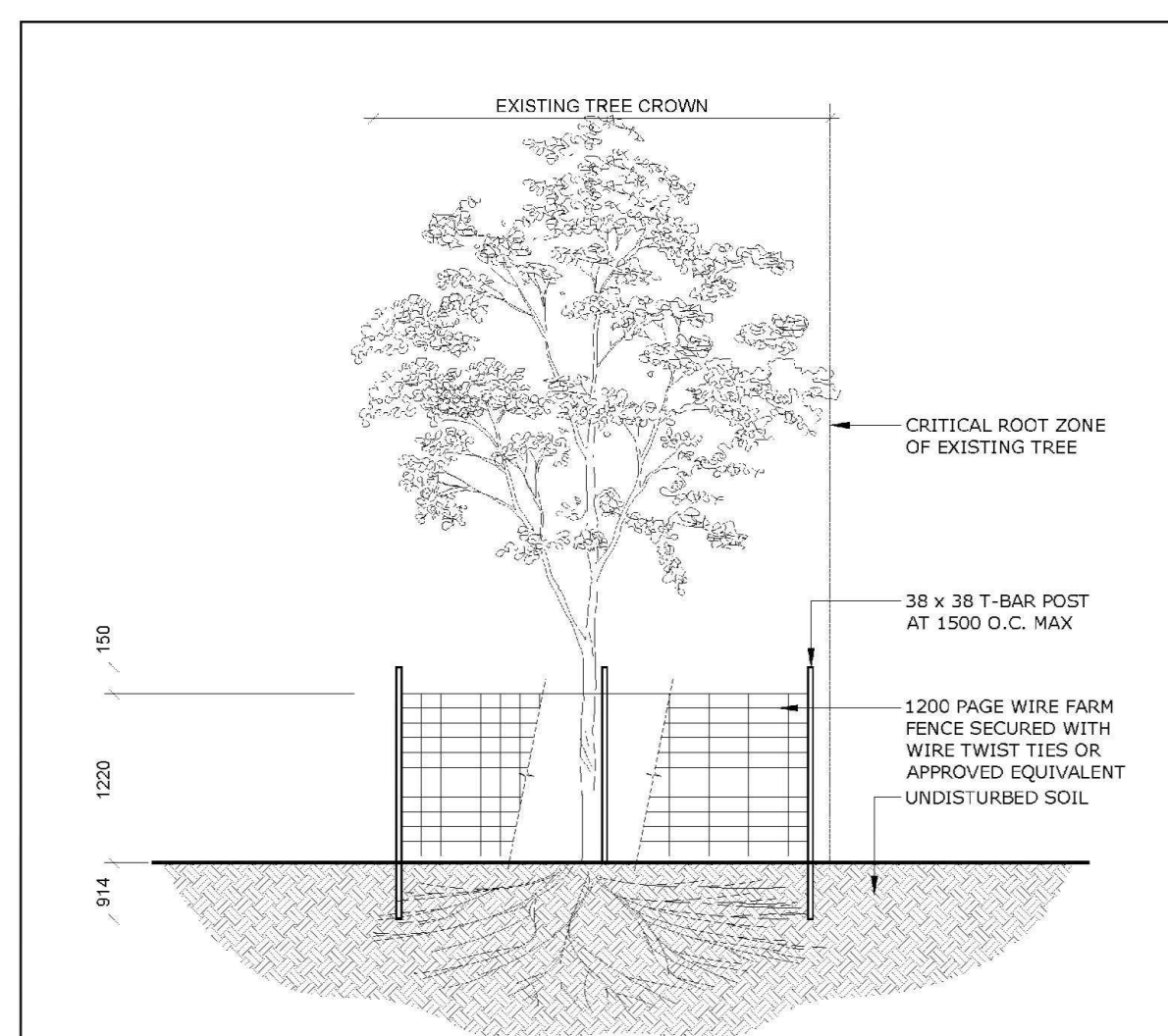


1 BENCH ON CONCRETE PAD
1:20



- NOTES:**
1. PLACEMENT AND SIZING OF BOULDER TO BE CONFIRMED ON SITE AND APPROVED BY LANDSCAPE ARCHITECT
 2. NO SHARP EDGES, CRACKS OR SPALLING.
 3. NO FROST SUSCEPTIBLE BOULDERS

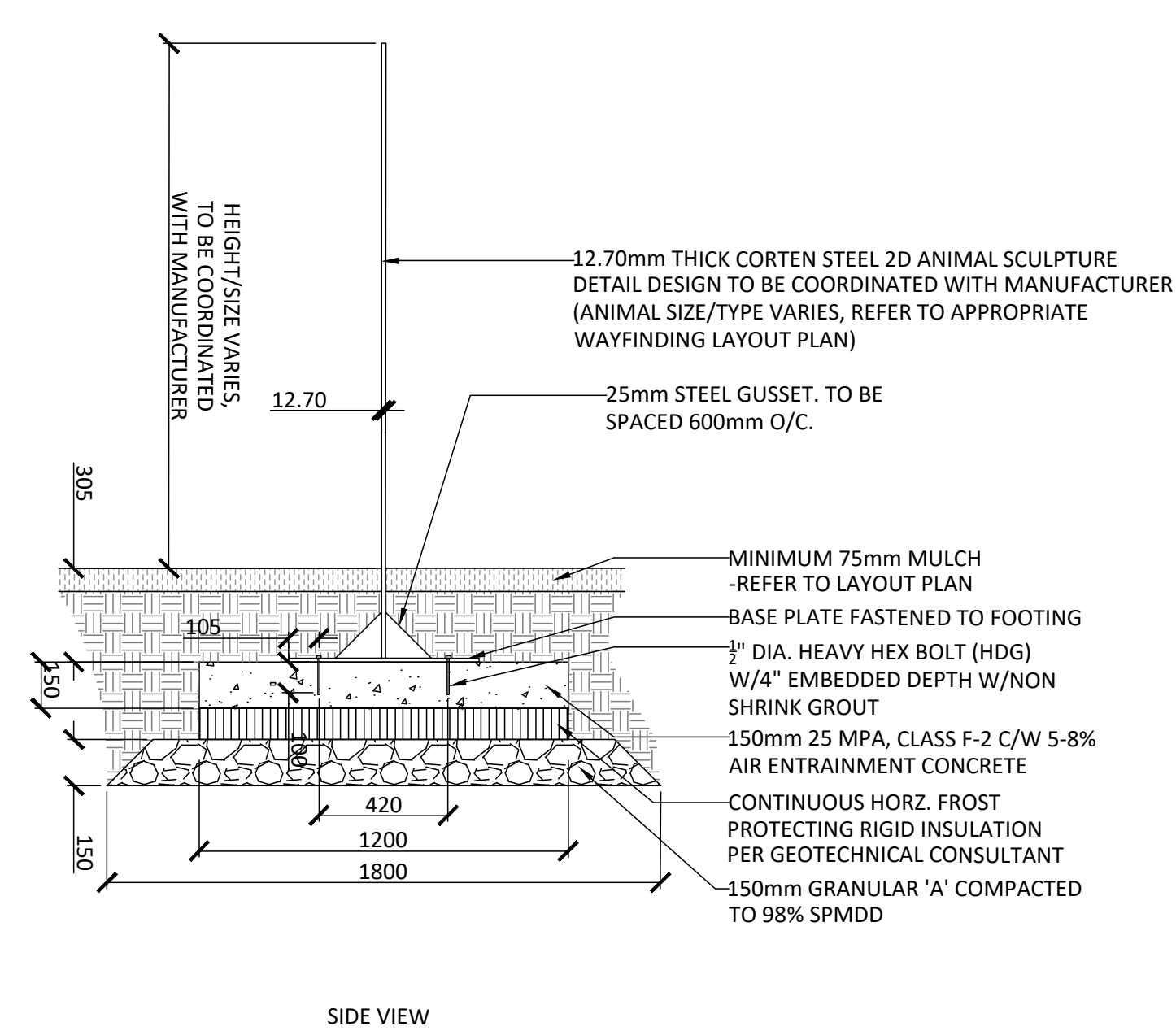
2 ARMOUR STONE WALL
1:20



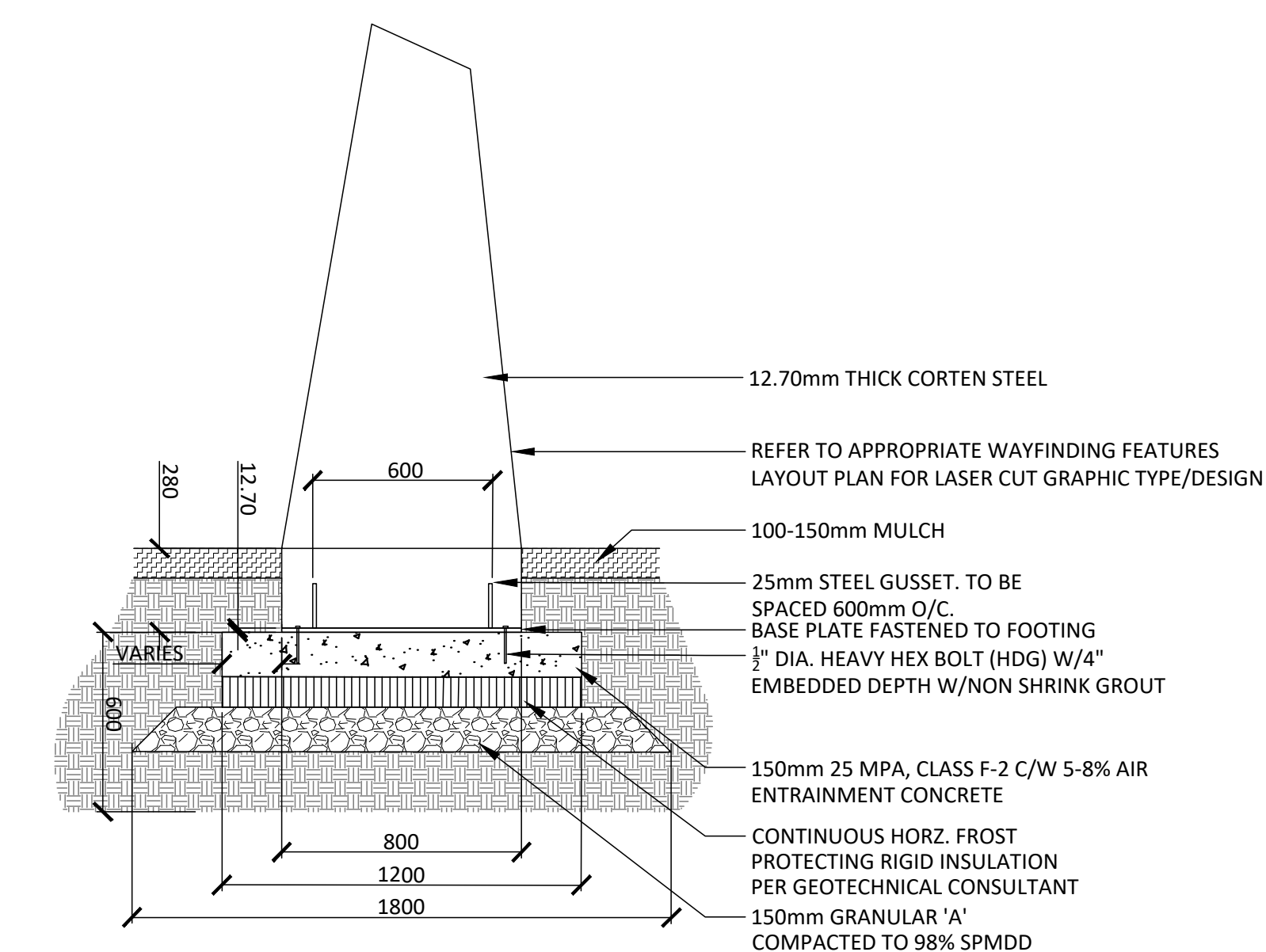
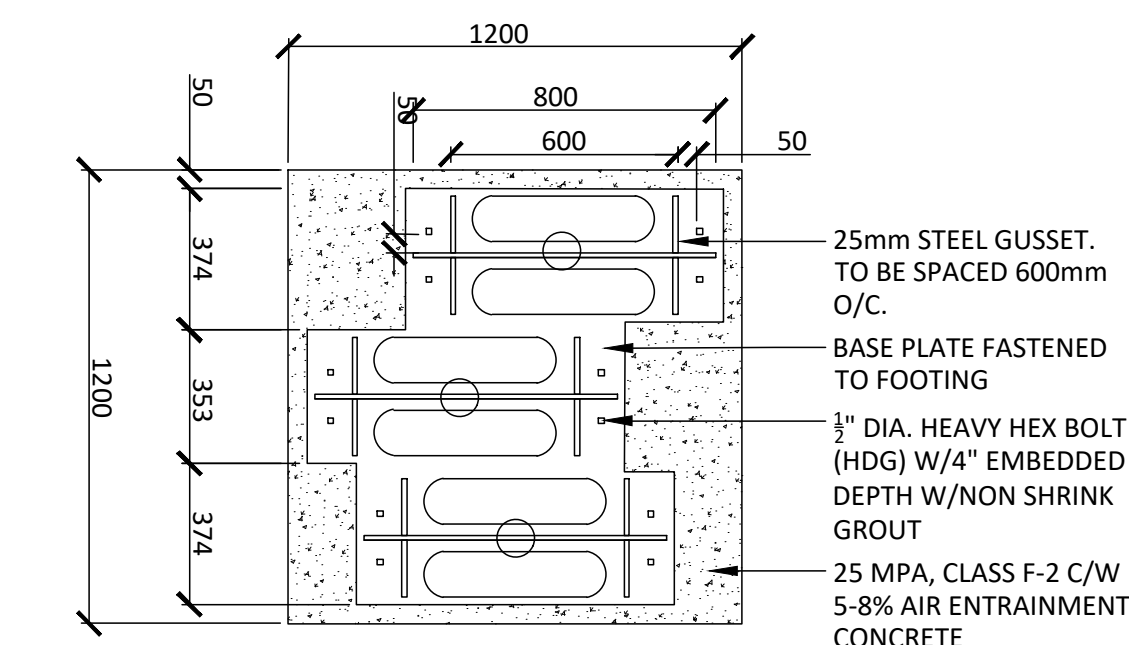
- NOTES:**
1. ALL MEASUREMENTS ARE IN MILLIMETRES UNLESS OTHERWISE NOTED
 2. THE AREA WITHIN THE CRITICAL ROOT ZONE OF ALL EXISTING TREES SHALL BE PROPERLY PROTECTED WITH TEMPORARY FENCING AS PER THE APPROVED LANDSCAPE PLAN
 3. THE SURVEY SHALL SHOW EXISTING ELEVATION AT BASE OF ALL TREES TO BE PRESERVED AS SHOWN BY "4"
 4. THE AREA WITHIN THE PROTECTED FENCING SHALL REMAIN UNDISTURBED AND SHALL NOT BE USED FOR THE STORAGE OF BUILDING MATERIALS OR EQUIPMENT. REMOVE ALL DEBRIS
 5. PRUNE BRANCHES TO REMOVE DAMAGED OR OBJECTIONABLE BRANCHES. DO NOT PRUNE LEADERS
 6. TREE PROTECTION SHALL REMAIN UNTIL SUBSTANTIAL PERFORMANCE OF THE PROJECT
 7. IF CUTTING OF ROOTS OR CHANGING OF GRADES AROUND EXISTING TREES IS CALLED FOR, FOLLOW APPROPRIATE DETAILS AS DIRECTED BY LANDSCAPE ARCHITECT
 8. IF TREES ARE BEING AFFECTED BY CONSTRUCTION, A WATER AND FERTILIZING PROGRAM WILL BE REQUIRED TO THE SATISFACTION OF THE CITY

	TITLE:	TREE PRESERVATION PROTECTION FENCE	DATE: FEB 2013
	REV:	FEB2017	
	DWG No:	F7	

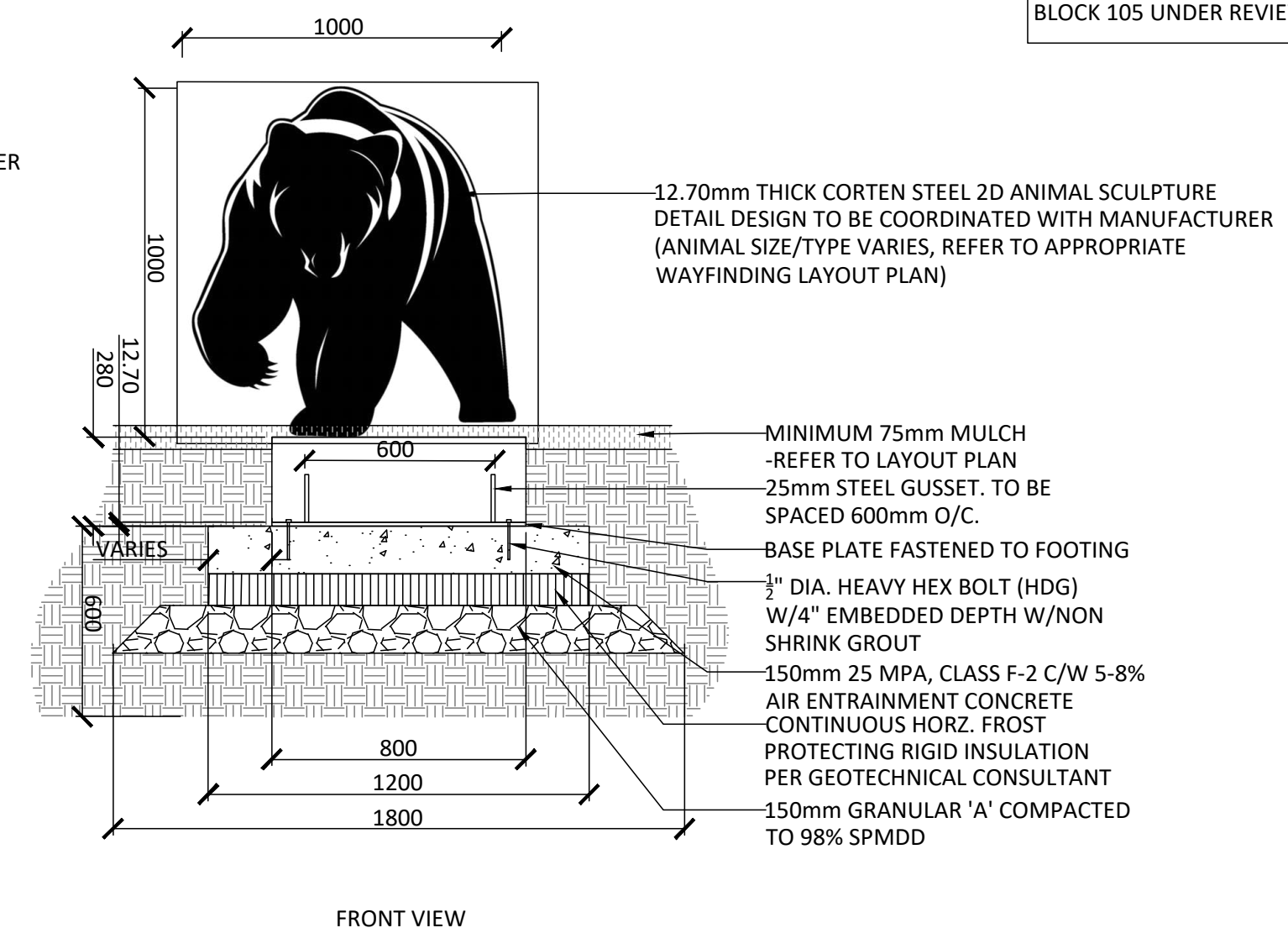
3 TREE PROTECTION FENCING
NTS



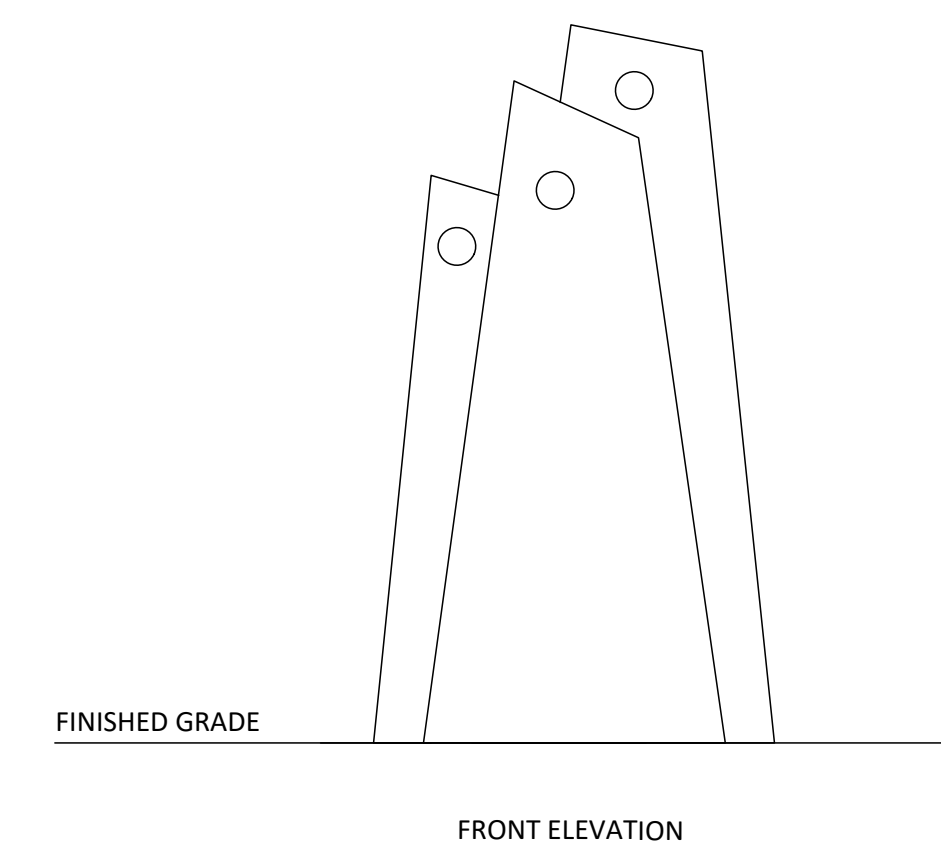
4 2D ANIMAL SCULPTURE
1:20



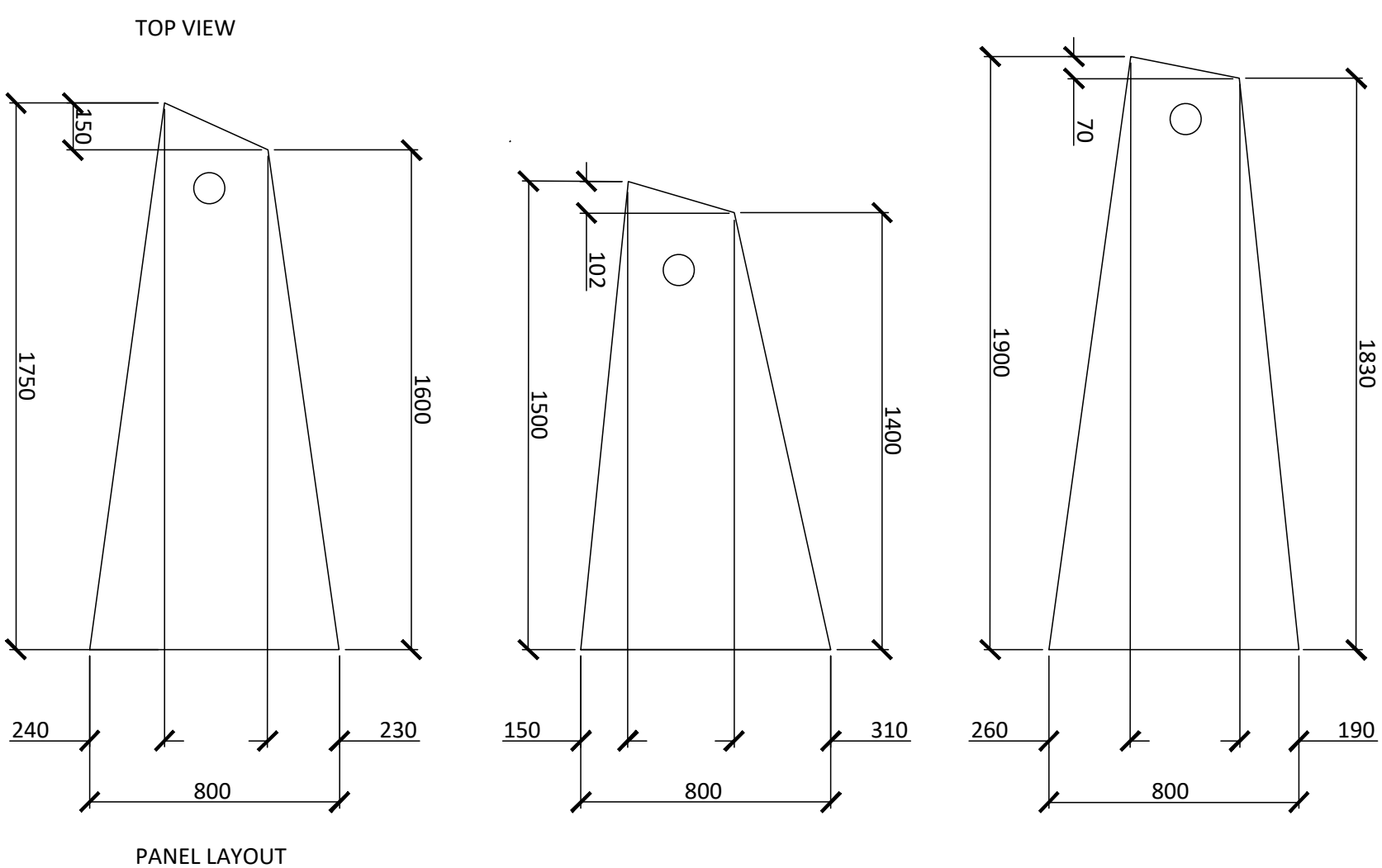
5 WAYFINDING SCULPTURE
1:20



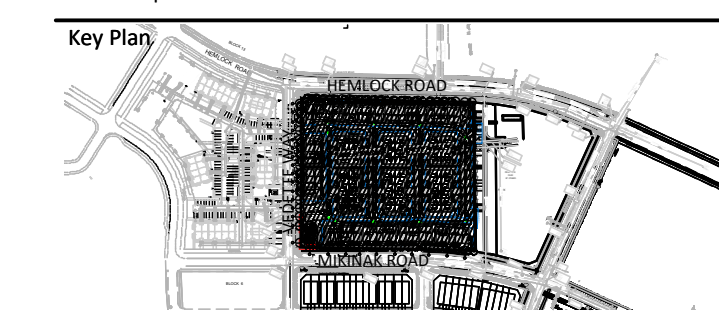
NOTE: WAYFINDING ELEMENTS AND ARTWORK IS DEFINED AS PART OF OVERALL WATERIDGE VILLAGE WAYFINDING STRATEGY BY MATTAMY. ARTWORK FOR BLOCK 105 UNDER REVIEW, AND TO BE CONFIRMED.



NOTE: WAYFINDING ELEMENTS AND ARTWORK IS DEFINED AS PART OF OVERALL WATERIDGE VILLAGE WAYFINDING STRATEGY BY MATTAMY. ARTWORK FOR BLOCK 105 UNDER REVIEW, AND TO BE CONFIRMED.



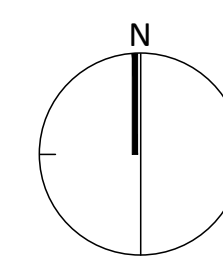
Contractor shall check all dimensions on the work and report any discrepancy to the Landscape Architect before proceeding. All drawings and specifications are the property of the Landscape Architect and must be returned at the completion of the work. This drawing is not to be used for construction until signed by the Landscape Architect.



No.	Description	Date
7	Issued for Third Submission SPA	Feb 02/26
6	Issued for Revised Second Submission SPA	Nov 07/25
5	Issued for Coordination	Oct 21/25
4	Issued for Second Submission SPA	June 20/25
3	Issued for SPA	May 5/25
2	Issued for Coordination	May 1/25
1	Issued for Coordination	Apr.17/25

Ownership	Transportation
MATTAMY HOMES 50 Hines Rd., Suite 100, Ottawa ON K2K 2M5	NOVATECH 240 Michael Cowland Dr., Suite 200, Ottawa, ON, K2M 1P6
ARCHITECT KORSAK 277 Lakeshore Rd., #4206, Oakville ON L6J 1H9	NOISE GRADIENT WIND 127 Kinggreen Rd., Carp ON K0A 1L0
CIVIL STANTEC 300-1331 Clyde Ave., Ottawa ON K2C 2G4	SURVEY J.D.Barnes 62 Steacie Dr. Unit 103, Kanata ON K2K 2A9
LANDSCAPE ARCHITECT NAK DESIGN STRATEGIES 2385 Wellington St., Ottawa ON K3J 3A8	GEOTECH PATERSON GROUP 9 Auriga Drive, Ottawa ON K2E 7T9
ELECTRICAL LRL 5480 Canotek Rd., Ottawa ON K1J 9E2	

PROPERTY INFORMATION
Plan of Submission of parts of lots 22, 23, and 24, Concession 1 (Ottawa Front), Geographic Township of Gloucester, City of Ottawa, Registered Plan 4M-1559



NAK
design strategies

1285 WELLINGTON STREET, OTTAWA, ON K1Y 3A8 CANADA
T 613.237.2345 NAKDESIGNSTRATEGIES.COM

BLOCK 105
615 MIKINAK ROAD
WATERIDGE VILLAGE

Title
DETAILS

Date 2025-03-19
Scale AS SHOWN
Drawn JE
Checked SC
Job No. 25-066

Sheet
L4.0