

- LEGEND**
- EXISTING TREES TO BE REMOVED
 - PROPOSED DECIDUOUS TREE
 - PROPOSED SHRUBS
 - PROPOSED PRECAST CONCRETE PAVERS, TYPE 1
 - PROPOSED PRECAST CONCRETE PAVERS, TYPE 2
 - PROPOSED PAVERS (PERMEABLE)
 - PROPOSED COLOURED CONCRETE
 - PROPOSED ARTIFICIAL TURF
 - CONCRETE SIDEWALK
 - PROPOSED MULCH
 - PROPOSED STRUCTURAL SOIL
 - PROPOSED GROWING MEDIUM (SOIL MIXTURE AS PER SPECIFICATIONS)

- GENERAL NOTES:**
- It is the responsibility of the appropriate contractor or official to report any errors, omissions or discrepancies on this plan with actual site conditions to the Landscape Architect before proceeding with construction.
 - The contractor is to notify all utility companies and authorities prior to any excavation and ascertain locations of underground services.
 - The contractor is to reinstate all areas and items damaged as a result of construction activity.
 - The contractor is to comply with all pertinent codes and by-laws.
 - The contractor is to maintain a positive surface run-off throughout the entire construction period.
 - The Landscape Architect is not responsible for subsurface conditions.
 - The contractor is to identify all existing trees to remain on site with the Landscape Architect prior to construction.
 - The contractor is to stake the proposed location of all plant material in conjunction with the Landscape Architect prior to excavation.
 - All trees within 1m of underground utility trenches are to be excavated by hand.
 - Remove all protective wrapping from tree trunks after installation.
 - Staking of trees shall only be performed if necessary.
 - Ensure that mulch is pulled back a min. distance of 75mm from base of tree trunk.
 - Deciduous trees to be planted on private property 450mm inside of property line.

York Street Tower Lands

Firstly: Part of PIN 04214-0207
Part of Lots 18 and 19 South York Street on Registered Plan 42482 being Part 1 on Plan 4R-36923

Secondly: Part of PIN 04214-0208
Part of Lot 19 South York Street on Registered Plan 42482 being Part 2 on Plan 4R-36923

Thirdly: Part of PIN 04214-0120
Part of Lot 20 South York Street on Registered Plan 42482 being Part 5 on Plan 4R-36923

City of Ottawa

George Street Tower Lands

Firstly: Part of PIN 04214-0207
Part of Lots 18 and 19 South York Street on Registered Plan 42482 being Part 11 on Plan 4R-36923

Secondly: Part of PIN 04214-0208
Part of Lot 19 South York Street on Registered Plan 42482 being Parts 3, 4, 7 and 12 on Plan 4R-36923
Part of Lot 19 South York Street and Part of Lots 18 and 19 North George Street on Registered Plan 42482 being Part 8 on Plan 4R-36923
Part of Lot 19 South York Street and Part of Lot 19 North George Street on Registered Plan 42482 being Part 14 on Plan 4R-36923

Thirdly: Part of PIN 04214-0120
Part of Lot 20 South York Street on Registered Plan 42482 being Parts 6, 9, 13 and 16 on Plan 4R-36923

Fourthly: Part of PIN 04214-0121
Part of Lot 20 North George Street on Registered Plan 42482 being Parts 10 and 15 on Plan 4R-36923

City of Ottawa

ANDREW MCCREIGHT
MANAGER, DEVELOPMENT REVIEW CENTRAL
PLANNING, DEVELOPMENT & BUILDING SERVICES
DEVELOPMENT DEPARTMENT, CITY OF OTTAWA

APPROVED
By Andrew McCreight at 8:22 am, May 04, 2026

1
L.1 TREE CONSERVATION REPORT & LANDSCAPE PLAN AS VIEWED FROM ABOVE
SCALE 1:250

EXISTING TREE TO BE REMOVED

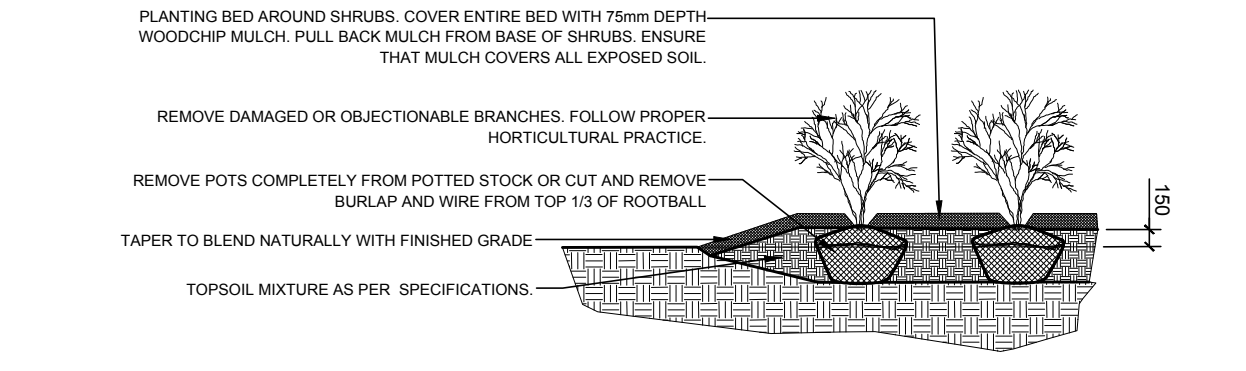
KEY	QTY	BOTANICAL NAME	COMMON NAME	SIZE	CONDITION	REMARKS
HL	1	Gleditsia triacanthos	Honey Locust	125mmØ	Good	Off Site
HB	1	Celtis occidentalis	Hackberry	60mmØ	Good	Off Site
SE	3	Ulmus pumila	Siberian Elm	60-250mmØ	Good	Off Site

PROPOSED PLANT LIST

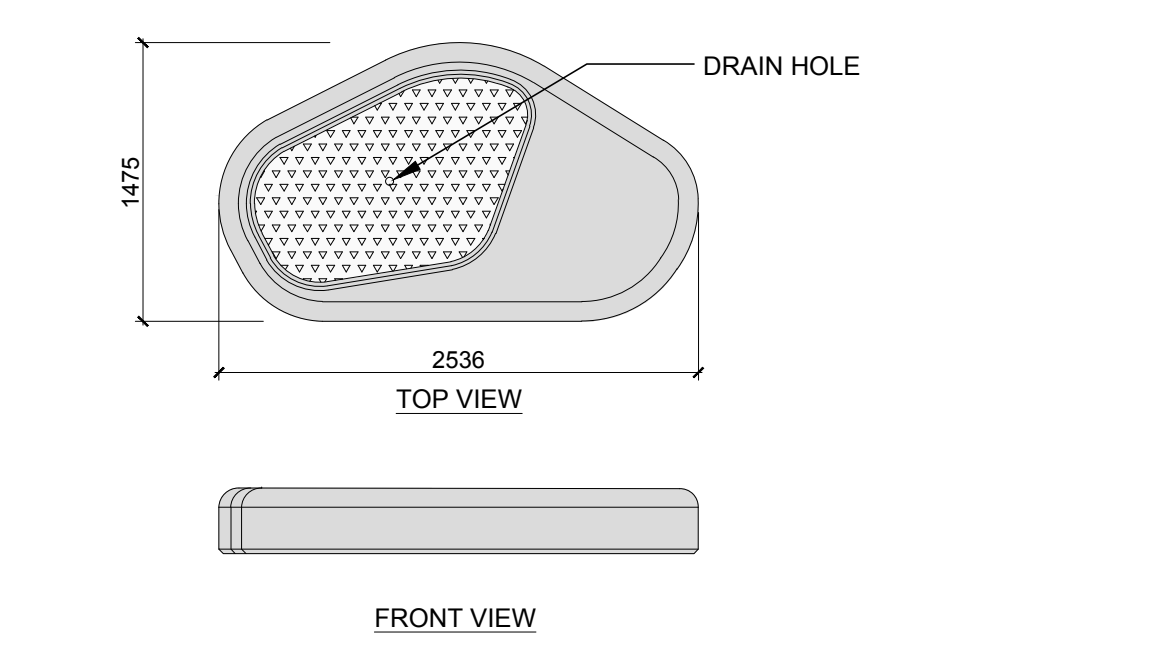
KEY	QTY	BOTANICAL NAME	COMMON NAME	SIZE	CONDITION	REMARKS
AM	1	Acer ginnala multistem	Multistem Amur Maple	50mm Ø	B&B	Refer to detail 3/L.1
HL	9	Gleditsia triacanthos 'Skyline'	Skyline Honey Locust	50mm Ø	B&B	Branching at 2.1m, Refer to detail 4/L.1
SM	3	Acer pensylvanicum	Striped Maple	50mm Ø	B&B	

SHRUBS & ORNAMENTAL GRASS

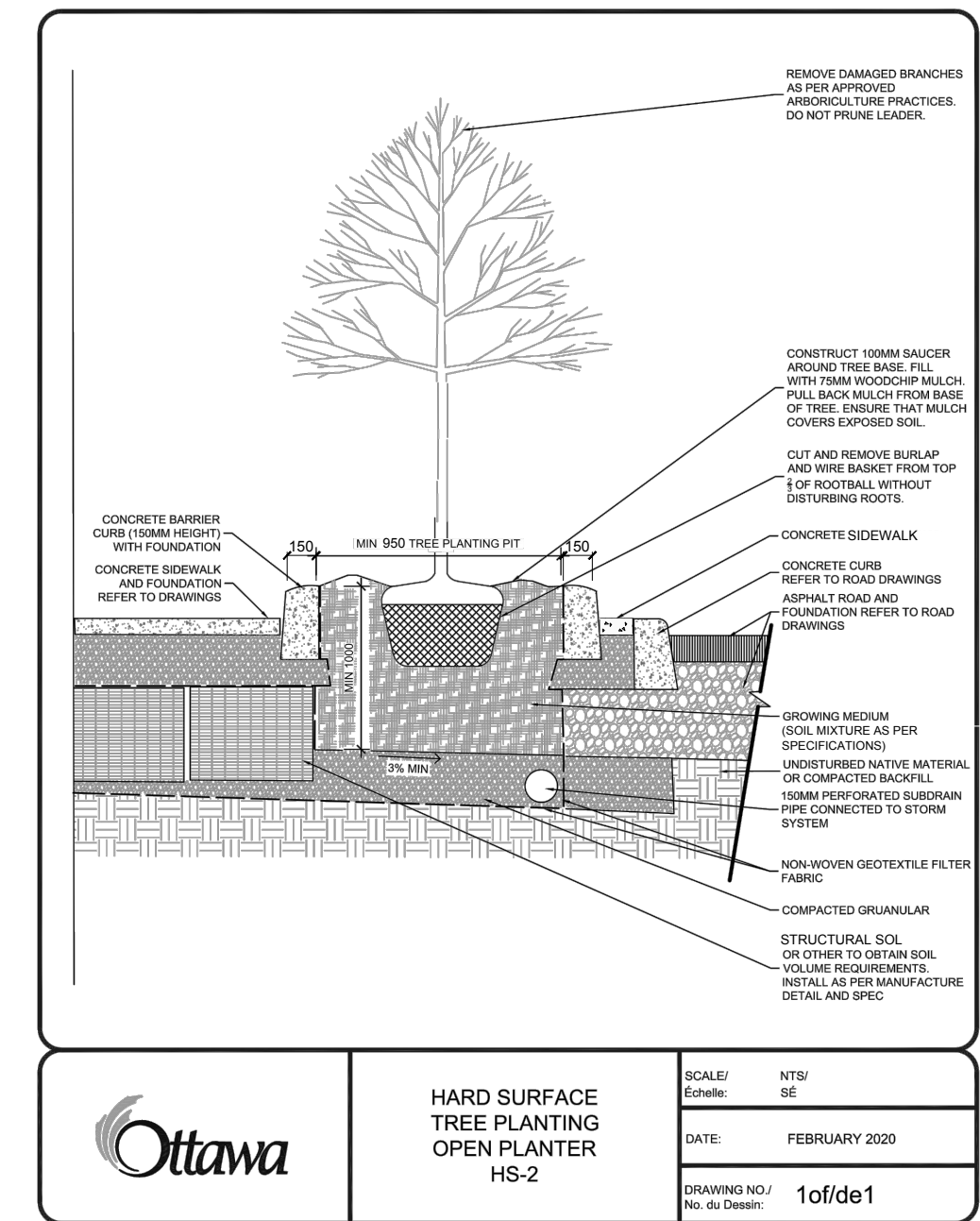
BD	8	Juniperus sabina 'Blue Danube'	Blue Danube Juniper	600 mm spr.	Potted	1000 mm o.c.
BH	9	Juniperus horizontalis 'Bar Harbor'	Bar Harbor Juniper	500 mm spr.	Potted	800 mm o.c.
DW	11	Cornus stolonifera	Red Osier Dogwood	1800 mm sp.	Potted	1000 mm o.c.
KF	16	Calamagrostis 'Karl Foerster'	Karl Foerster Grass	250 mm pot	Potted	800 mm o.c.
YE	11	Taxus cuspidata 'Capitata'	Upright Japanese Yew	600 mm spr.	Potted	1200 mm o.c.
SF	27	Sorbaria sorbifolia 'Sem'	Sem False Spirea	600 mm ht.	Potted	1000 mm o.c.



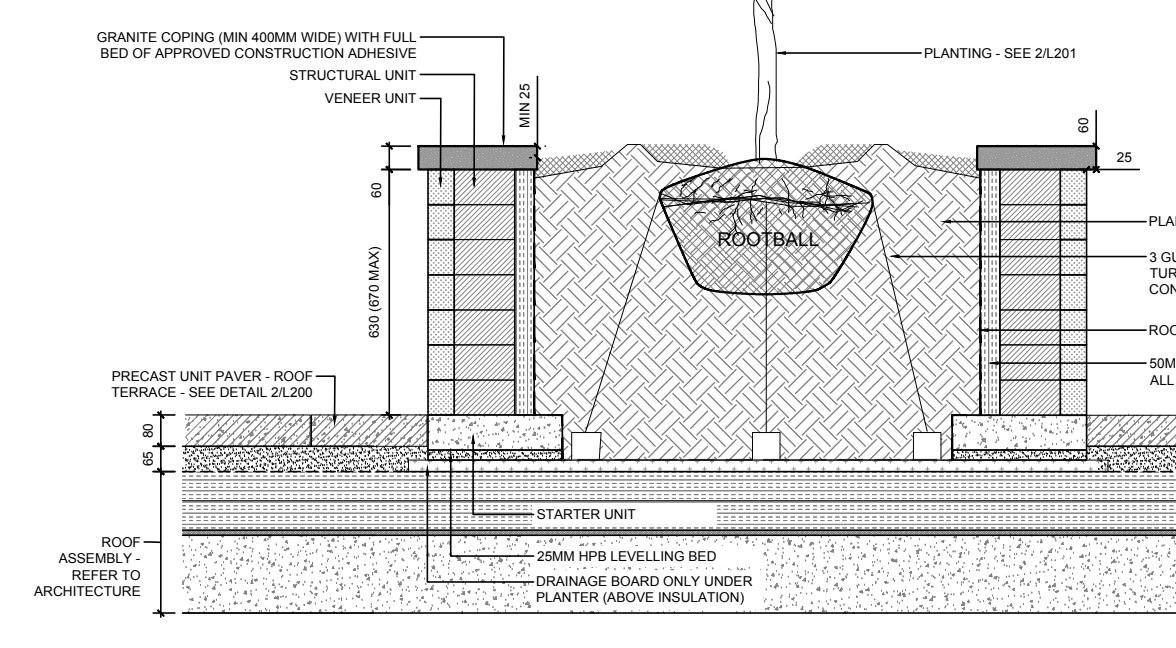
2
L.1 SHRUB PLANTING
SCALE N.T.S.



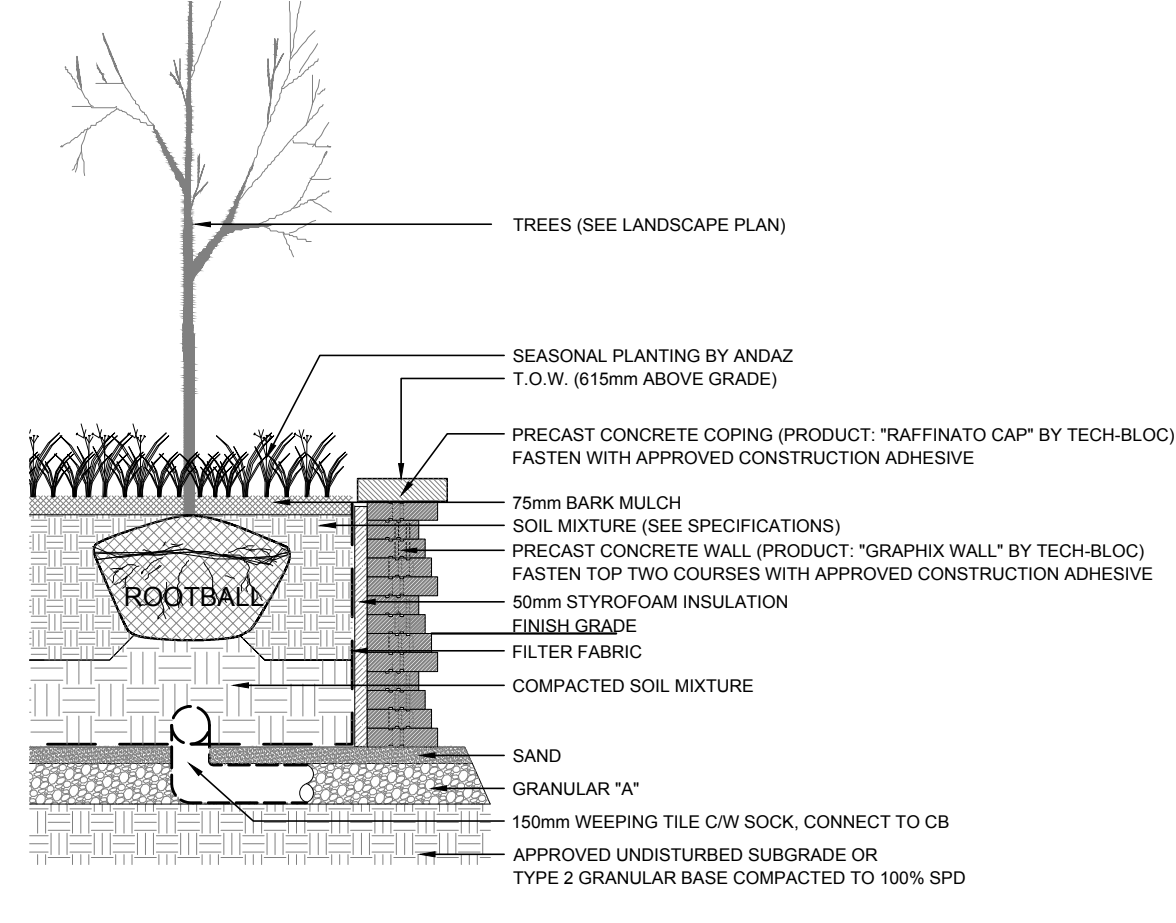
3
L.1 SCULPTURAL PLANTER WITH SEATING
SCALE N.T.S.



4
L.1 HS-2 TREE PLANTING IN OPEN PLANTER ON GEORGE STREET
SCALE N.T.S.



5
L.1 PRECAST CONCRETE PLANTER - ROOF TERRACE
SCALE N.T.S.



6
L.1 DECIDUOUS TREE IN CONCRETE PLANTER ON DALHOUSIE STREET
SCALE N.T.S.

CLIENT:
CLARIDGE HOMES
210 Gladstone Avenue, Suite 2001
Ottawa, Ontario K1P 1T9
Tel: (613) 533-0200
Fax: (613) 533-9299

LOCATION PLAN

CONSULTANTS

ARCHITECTS:
NEUF ARCHITECTS
2000 ave McGill College, suite 600
Montreal, Quebec H3A 3H4

SURVEYORS:
ANNIS O'SULLIVAN VOLLEBECK LTD.
Suite 500, 14 Concourse Gate,
Newport, Ontario, K2E 7S6

CIVIL ENGINEERS:
NOVATECH ENGINEERING CONSULTANTS LTD.
Suite 200, 240 Michael Cosway Drive,
Ottawa, ON, K2M 1P6

40 YEAR CANOPY CALCULATION:

- 4,646 m2 site area
- 9 medium deciduous trees proposed (78.5m2 ea.)
- 4 small deciduous trees proposed (7m2 ea.)

= 735m2 canopy cover = 16% canopy cover

***Medium deciduous tree calculated at 10m spread, small deciduous tree at 3m spread.**

No.	Revision	Date	By
12	REVISED AS PER CITY COMMENTS	12/16/2025	LC
11	REVISED AS PER CITY COMMENTS	11/07/2025	LC
10	REVISED AS PER CITY COMMENTS	09/19/2025	LC
9	REVISED AS PER CITY COMMENTS	08/18/2025	LC
8	REVISED AS PER CITY COMMENTS	07/21/2025	LC
7	REVISED AS PER CITY COMMENTS	06/30/2025	LC
6	ISSUED FOR SITE PLAN APPROVAL	11/07/2024	LC
5	ISSUED FOR TENDER	06/05/2024	LC
4	REVISED AS PER COMMENTS	05/01/2024	LC
3	REVISED AS PER COMMENTS	03/13/2024	LC
2	ISSUED FOR PERMITTING	12/21/2023	WF
1	ISSUED FOR SITE PLAN REVIEW	06/28/2023	JL

JAMES B. LENNOX & ASSOCIATES INC.
LANDSCAPE ARCHITECTS
SUITE 200A HAMPTON PARK PLAZA, 1419 CARLING AVE. OTTAWA, ONTARIO K1Z 7J4
Tel: (613) 722-5168 Fax: (613) 722-5168

PROJECT:
110, 116 YORK STREET

DRAWING:
GROUND FLOOR LANDSCAPE PLAN

STAMP:
ASSOCIATION OF LANDSCAPE ARCHITECTS
JAMES B. LENNOX
MEMBER

DRAWN BY:
LC

CHECKED BY:
JAMES LENNOX

SCALE:
SEE PLAN

DATE:
JUNE, 2023

PROJECT NORTH

PROJECT NO.:

DRAWING NO.:

L.1

PLOT SIZE A:1