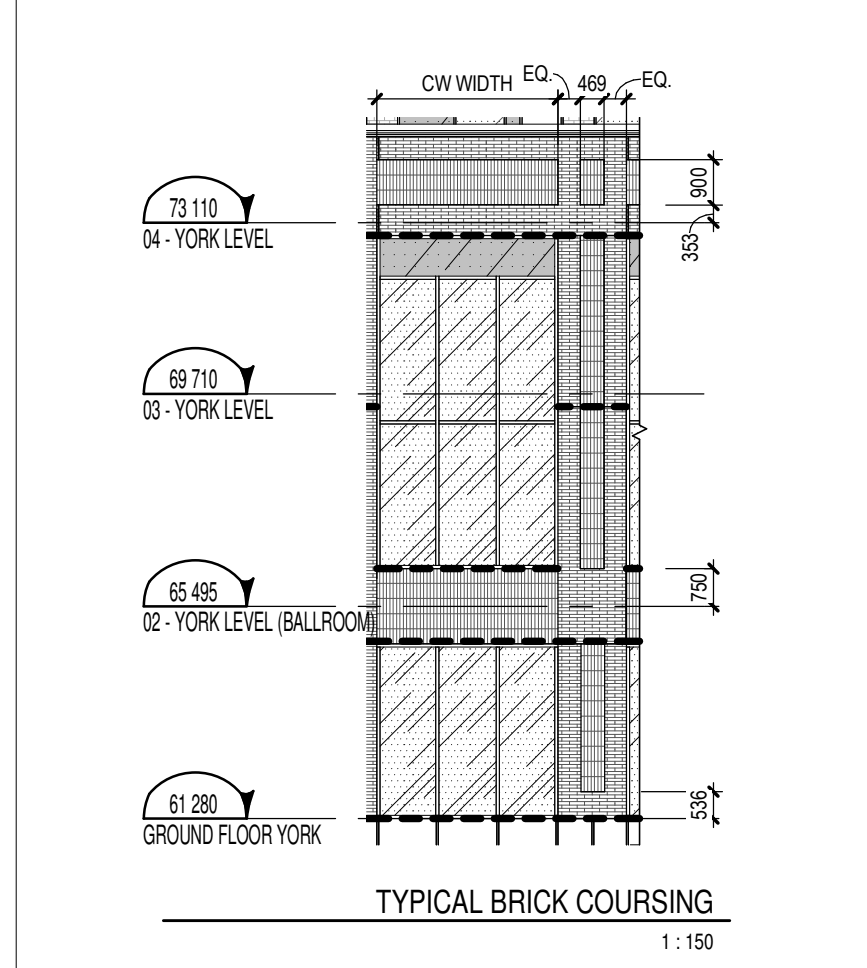
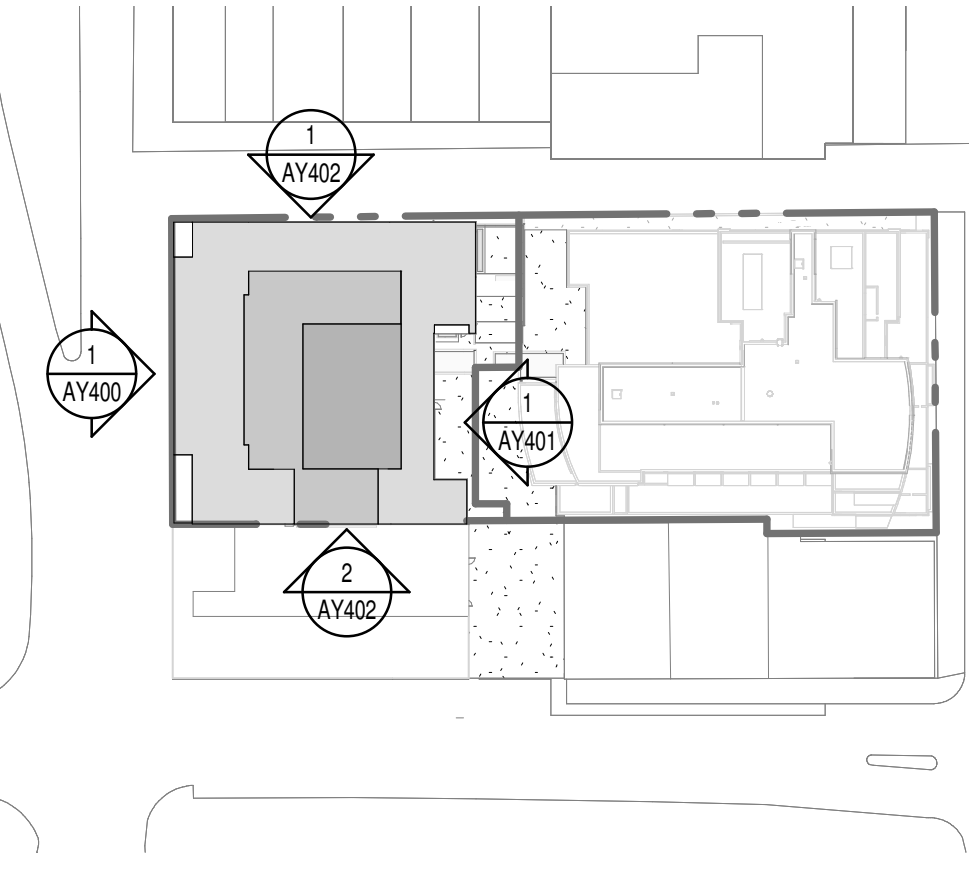


ELEVATION KEYNOTE LEGEND	
NOTE	DESCRIPTION
1	GRANITE PANEL WALL BASE. COLOUR TO BE SELECTED BY ARCHITECT. FLAMED FINISH. REFER TO ELEVATIONS FOR SIZE.
2	MASONRY BRICK VENEER. RED COLOUR CLOSELY MATCHING ORIGINAL BUILDING FINISHES. COLOUR WILLIAMSBURG MK2 BY CANADA BRICK. UNIT METRIC NORMAN FORMAT 57x290x60mm. ALL GROUT AND SEALANTS TO BE CONFIRMED BY THE ARCHITECT.
3	MASONRY BRICK VENEER. SILVER CITY WIRECUT MODULAR UNITS FROM GLEN-GERY. 57x194x60. ALL GROUT AND SEALANTS TO MATCH BRICK COLOUR.
4	PRE-FINISHED ALUMINUM MODULAR PANELS. COLOUR TO MATCH MULLIONS (ACRYNAR CHARCOAL GRAY (UCFX1008)).
5	CURTAIN WALL. SEALED GLASS UNIT / PREPAINTED ALUMINUM FRAME. ACRYNAR CHARCOAL GRAY (UCFX1008) COLOUR EXTERIOR AND CLEAR ANODIZED (200A/300A) INTERIOR. SEE CURTAIN WALL ELEVATION PAGE.
6	WINDOW WALL. SEALED GLASS UNIT / PREPAINTED ALUMINUM FRAME. ACRYNAR CHARCOAL GRAY (UCFX1008) COLOUR EXTERIOR AND CLEAR ANODIZED (200A/300A) INTERIOR. SEE WINDOW WALL ELEVATION PAGE.
7	PREPAINTED HORIZONTAL STEEL CLADDING. COLOUR TO MATCH DARK BRICK (ITEM 3 ON LEGEND).
9	PREPAINTED ALUMINUM VENTILATION GRILLE. COLOUR TO MATCH ADJACENT WINDOW FRAME FINISH OR ADJACENT FINISH IF NOT IN WINDOW SYSTEM. COORDINATION WITH MECHANICAL DRAWINGS FOR LOCATION.
9A	ARCHITECTURAL LOUIRE WITH DECORATIVE ELEMENT FASTENED / HANGING IN FRONT OF SURFACE.
10	PARAPET. COLOUR TO MATCH DARK BRICK (ITEM 3 ON LEGEND).
10C	ARCHITECTURAL CORNICE OF BENT METAL FLASHING. COLOUR TO MATCH DARK BRICK (ITEM 3 ON LEGEND).
11	PUNCHED WINDOW. MULLIONS TO MATCH ITEM 6.
11	STEEL DOOR. COLOUR TO MATCH DARK BRICK (ITEM 3).
12	GLAZED ENTRY DOOR. SEALED CLEAR GLASS UNIT / PREPAINTED ALUMINUM FRAME. SEE DOOR SCHEDULE PAGE. COLOUR TO MATCH CURTAIN WALL (ITEM 5 ON LEGEND).
13	AUTOMATIC SLIDING GLAZED ENTRY DOOR. SEALED CLEAR GLASS UNIT / PREPAINTED ALUMINUM FRAME. SEE DOOR SCHEDULE PAGE. COLOUR TO MATCH CURTAIN WALL (ITEM 5 ON LEGEND).
14	FIRE DEPARTMENT CONNECTION REFER TO CIVIL.
15	HEAVY DUTY RUBBER ROLL-UP DOOR. COLOUR AS PER MANUFACTURER STANDARD BLACK OR DARK GREY.
16	TYPICAL PAINTED STEEL BOLLARD. FILLED WITH CONCRETE.
17	WALL MOUNTED WALL PROTECTION. EXTRUDED RUBBER FENDER. REFER TO SPEC.
18	OVERFLOW SCUPPER. COLOUR TO MATCH ADJACENT FINISH.
19	SIGNAGE. EXACT SIZE, COMPOSITION AND LOCATION TO BE DETERMINED BY THE RETAILER IN COORDINATION WITH CITY REQUIREMENTS.
21	SPANDREL GLASS CLADDING (CPAQE) WITH PREPAINTED ALUMINUM FRAMING. COLOUR TO MATCH ITEM 5.
22	GLAZED SOUND BARRIER. MINIMUM 8mm THICK. APPLY FROSTED FINISH TO EXTERIOR FACE OF GLASS. POSTS TO BE GALVANIZED STEEL.
23	VERTICAL MASONRY CONTROL JOINT. 25mm SEALANT ON BACKER ROD. USED AS TYPICAL CONTROL MOVEMENT JOINTS AND VERTICAL TRANSITIONS BETWEEN DIFFERING COLOURED BRICK VENEERS.

GLASS LEGEND	
	VISION GLASS
	VISION BIRD SAFE VISION GLASS
	SPANDREL GLASS
	BIRD SAFE SPANDREL GLASS
	FROSTED VISION GLASS
	SPANDREL GLASS CLADDING WITH BIRD SAFE GLASS

FEATURE LIGHT LEGEND	
	LINEAR LIGHTS
	WALL SCUNCES

ELEVATION LEGEND	
	EXTERIOR FINISH REFER TO ELEVATION KEYNOTE LEGEND
	WINDOW TYPE REFER TO WINDOW SCHEDULE
	PRE-PAINTED ALUMINUM WALL BOX VENTILATION GRILLE. COLOUR TO MATCH ADJACENT FINISH. COORDINATE WITH MECHANICAL ENGINEER DRAWINGS FOR LOCATIONS.
	GALVANIZED STEEL STRUCTURAL SHELF ANGLE. LEVELS AND LOCATIONS TO BE COORDINATED WITH THE ARCHITECTURAL DETAILS' SECTIONS. MASONRY COURSING, STEEL SHOP DRAWINGS AND STRUCTURAL ENGINEER DRAWINGS.



NORTH ELEVATION (YORK)  
1:150

**GENERAL NOTES**

- These architectural documents are the exclusive property of NEUF architect(e)s inc. and cannot be used, copied, or reproduced without written pre-authorization.
- The contractor is responsible for checking and verifying all dimensions with respect to the project. Any discrepancy shall be reported to the architect.
- The architect must be notified of all errors, omissions, and discrepancies between these documents and those of the other professionals.
- Do not scale drawings. The dimensions on these documents must be read and not measured.
- These drawings are to be read in conjunction with all material relevant to the project.

Mechanical - Electrical Engineer  
**JAIN**  
7405 East Danbro Crescent, 2nd Floor Mississauga, Ontario, L5N 6P8  
T 905 285 9900 jainconsultants.com

Structural Engineer  
**ADJELIAN ALLEN RUBELI LIMITED**  
75 Albert Street, Suite 1005, Ottawa, Ontario K1P 5E7  
T 613 232 5768 aar.ca

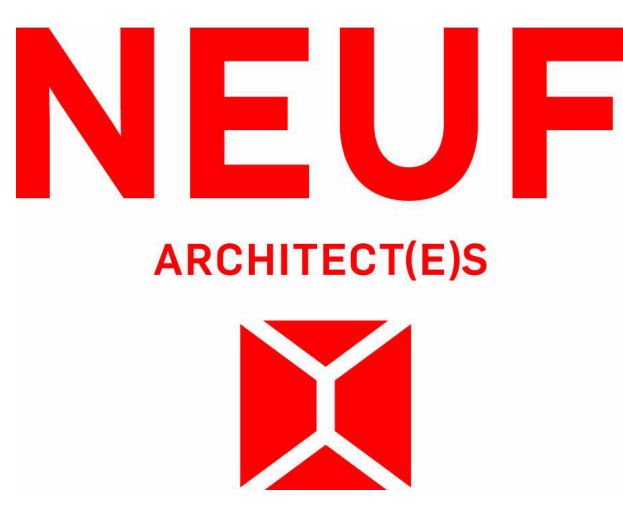
Landscape Architect  
**James B. Lennox & Associates**  
5555 Carling Avenue, Ottawa ON K2M 5A6  
T 613 722 5168 jba.ca

Civil  
**Novatech Eng. Consultants Ltd.**  
240, Michal Cowland Drive, Suite 200, Ottawa ON K2M 1P6  
T 613 234 9653 novatech-eng.com

Architect  
**NEUF Architectes INC.**  
10 Rideau Street, 4th floor, Ottawa ON K1N 9J1  
T 514 947 1117 neuf.ca

Interior Design  
**Mason Studio**  
51 Patnam Avenue, Toronto ON M5N 1A5  
T 416 761 9736 masonstudio.com

SURVEYOR  
**ANNIS O'SULLIVAN VOLLEBEKK Ltd.**  
14 Concourse Gate, Suite 500, Nepean ON K2E 7S6  
T 613 727 0500 annisof.com



Client  
**CLARIDGE HOMES**  
505 Preston St, 2nd Floor, Ottawa ON, K1S 4N7  
T 613 219 8503 claridgehomes.com

Project  
**110-116 YORK STREET**  
Location  
**OTTAWA** No.  
**13098.00**

NO	REVISION	DATE (yyyy.mm.dd)
LLL	ISSUED FOR SUPERSTRUCTURE PERMIT	2025.05.15
MMM	FOR COORDINATION	2025.06.18
NNN	FOR SITE PLAN APPROVAL	2025.06.30
PPP	FOR HH SQ REVIEW #7	2025.07.03
QQQ	FOR SITE PLAN APPROVAL	2025.07.15
UUU	ISSUED FOR PERMIT	2025.08.12
VVV	FOR SITE PLAN APPROVAL	2025.09.15
YYY	FOR COORDINATION	2025.10.03
ZZZ	FOR COORDINATION	2025.11.05
BBBB	FOR COORDINATION	2025.11.10
CCCC	FOR SITE PLAN APPROVAL	2025.11.11
FFFF	FOR TENDER	2025.12.10
HHHH	ADDENDUM #1	2025.12.19
KKKK	ADDENDUM #2	2026.01.15
MMMM	ADDENDUM #3	2026.02.09
NNNN	FOR SUPERSTRUCTURE PERMIT	2026.02.10
TTTT	FOR REVISED SITE PLAN APPROVAL	2026.03.27

Drawn by  
**SJ/OM/AA** Checked by  
**LH**  
DATE (aa.mm.jj) Scale  
**JUN 2023** As indicated

Drawing Title  
**ELEVATION (NORTH)**

Revision Dwg Number  
**TTTT AY400**