

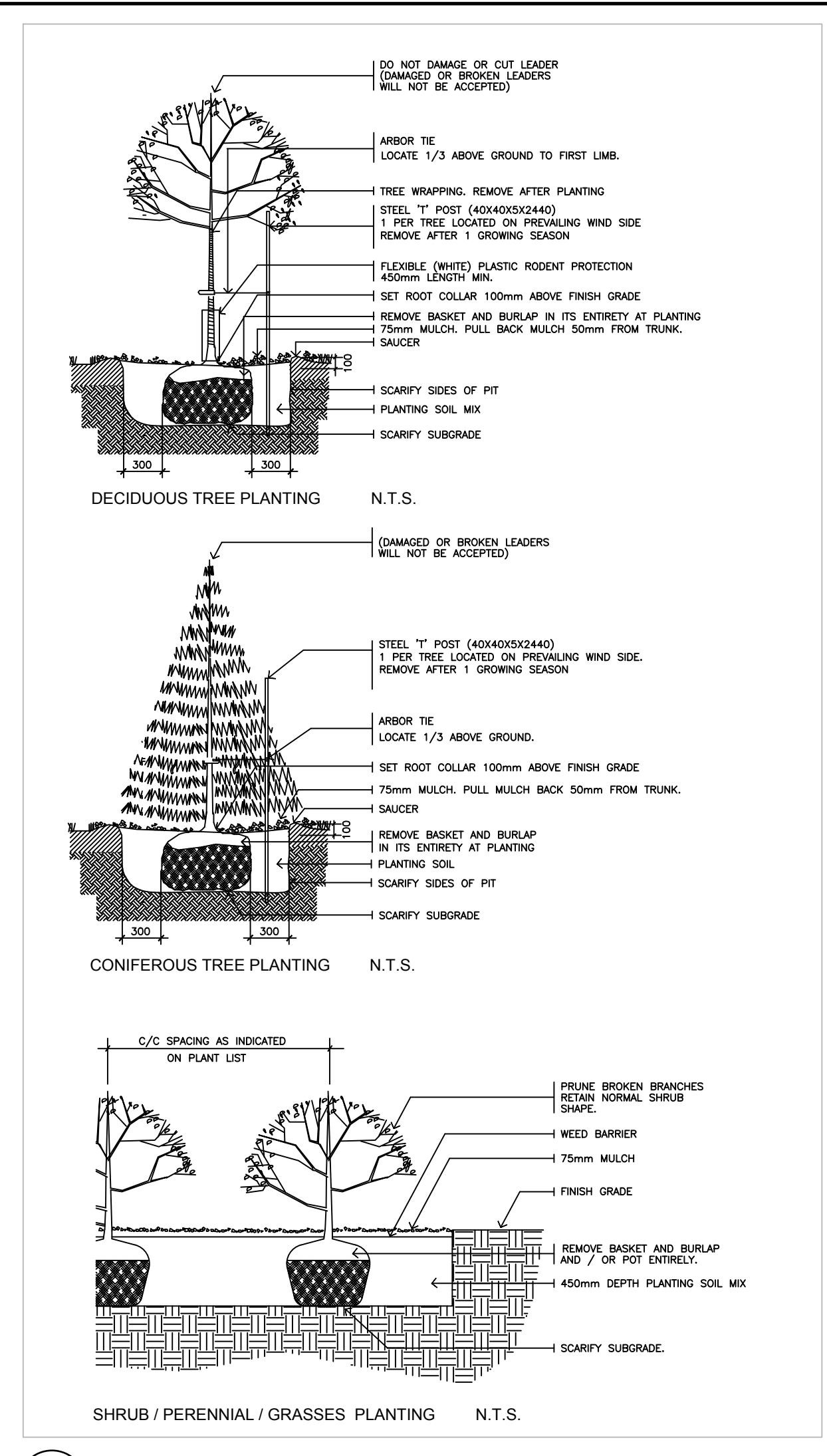
APPROVED
By Sean Moore at 12:50 pm, Jun 29, 2026

SM

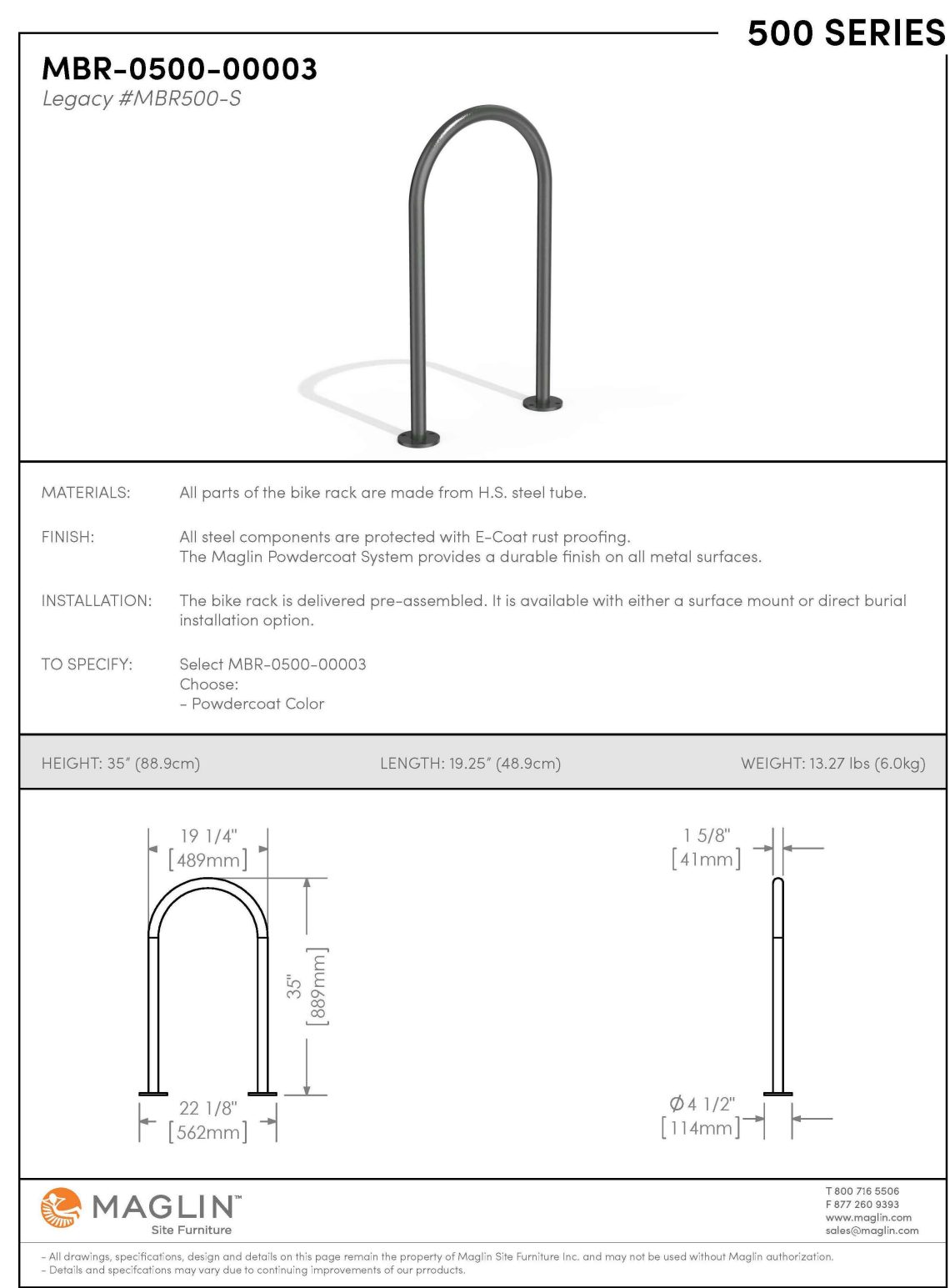
SEAN MOORE MCIP, RPP
MANAGER, DEVELOPMENT REVIEW - WEST
PLANNING, INFRASTRUCTURE & ECONOMIC
DEVELOPMENT DEPARTMENT, CITY OF OTTAWA

PLANT MATERIAL SCHEDULE

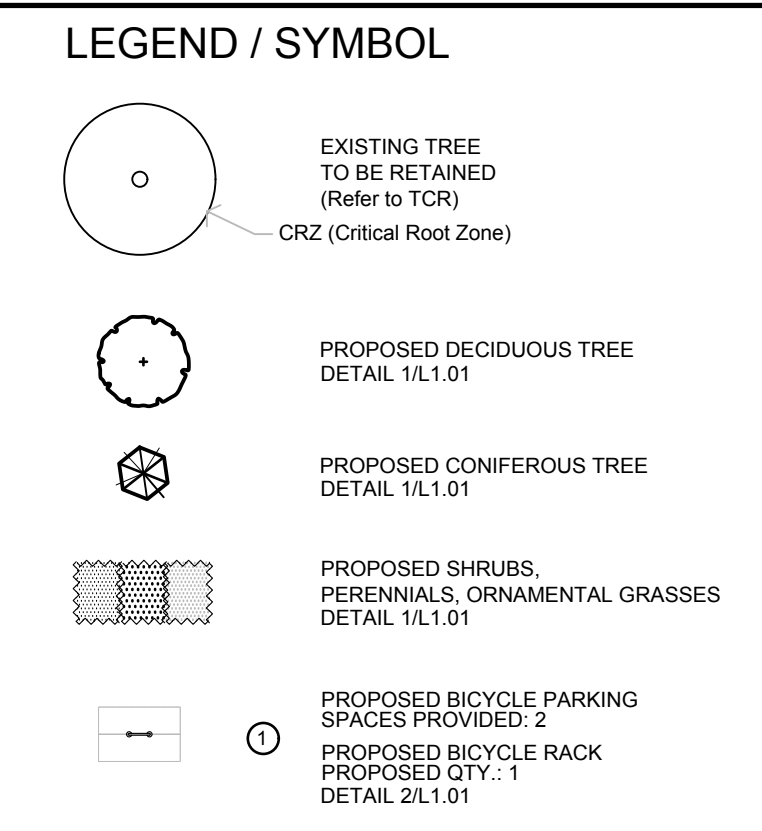
CODE	BOTANICAL NAME	COMMON NAME	QTY.	SIZE	REMARKS / (N) NATIVE
DECIDUOUS TREES					
AFJ	ACER x FREEMANNI JEFFERSRED	AUTUMN BLAZE MAPLE	5	50mm cal	B&B, single-stem / N
AR	ACER RUBRUM	RED MAPLE	2	50mm cal	B&B, single-stem / N
QM	QUERCUS MACROCARPA	BUR OAK	2	50mm cal	B&B, single-stem / N
QR	QUERCUS RUBRA	RED OAK	2	50mm cal	B&B, single-stem / N
SR	SYRINGA RETICULATA IVORY SILK	IVORY SILK JAPANESE TREE LILAC	3	50mm cal	B&B, single-stem
CONIFEROUS TREES					
PG	PICEA PUNGENS GLAUCA	WHITE SPRUCE	7	200 cm ht	B&B / N
PST	PINUS STROBUS	WHITE PINE	5	200 cm ht	B&B / N
SHRUBS					
JSW	JUNIPERUS SCOPULORUM	WICHITA BLUE JUNIPER	8	200cm ht	B&B, 120cm o/c
PFD	POTENTILLA FRUTICOSA 'GOLD DROP'	GOLD DROP CINQUEFOIL	5	50cm ht	potted, 80cm o/c
PM	PINUS MUGO MUGHUS	MUGHO PINE	10	50cm ht	potted, 100cm o/c
PO	PHYSOCARPUS OPULIFOLIUS	COMMON NINEBARK	7	50cm ht	potted, 100cm o/c / N
PERENNIALS					
Ech	ECHINACEA purpurea	PURPLE CONEFLOWER	56	15 cm pot	plant 60cm o/c / N
Hem	HEMEROCALLIS 'Hyperion'	Hyperion DAYLILY	40	15 cm pot	plant 60cm o/c
Rud	RUDBECKIA laciniata	CUTLEAF CONEFLOWER	73	15 cm pot	plant 60cm o/c / N
ORNAMENTAL GRASSES					
Cal	CALAMAGROSTIS x acutiflora 'Karl Foerster'	KARL FOERSTER REED GRASS	23	15cm pot	plant 75cm o/c
Pv	PANICUM virgatum	SWITCH GRASS	54	15 cm pot	plant 75cm o/c / N
Spo	SPOROBOLUS heterolepis	PRAIRE DROPSSEED	33	15cm pot	plant 75cm o/c / N



1 L1.01 PLANTING DETAILS NTS



2 L1.01 BICYCLE RACK NTS
INSTALLATION: SURFACE MOUNT
FINISH: BLACK (GLOSS) POWDERCOAT



- GENERAL NOTES**
- This drawing shall be read in conjunction with all relevant Architectural, Engineering and related Drawings and Documents.
 - Refer to Engineering Drawings for Grading and Servicing.
 - Refer to Architectural Drawings for Site layout.
 - Contractor shall provide the location(s) of all services/utilities by consulting Municipal Authorities and Utility companies and shall be responsible for adequate protection from damage during construction.
 - Plant material shall be No. 1 Grade and shall comply with the Metric Guide Specifications For Nursery Stock (latest edition), published by the Canadian Nursery Trades Association.
 - Plant Material locations are Schematic / Approximate only. Contractor shall stake out locations on site prior to work.
 - Contractor shall guarantee all plant material for a period of one (1) full year from the date of final acceptance.
 - Shrubs shall be planted in a continuous prepared bed of 450mm depth planting soil mix covered over with a woven polypropylene weed control fabric (LANDSCAPE FABRIC-Green-Line by Thrace-LINQ) and 75mm depth composted pine mulch to finish grade, as specified.
 - Perennials and Ornamental Grasses shall be planted in a continuous prepared bed of 450mm depth planting soil mix covered over with 75mm depth composted pine mulch to finish grade. (NO WEED CONTROL FABRIC), as specified.
 - Sod areas to receive 125mm topsoil. Sod shall be No. 1 quality conforming to the Canadian Nursery Sod Growers Specification.
 - Reinstate all areas damaged or disturbed beyond the limit of Work.
 - Plant Material substitutions shall not be permitted without written approval from the Consultant.
 - Contractor shall advise Consultant a minimum of 48hrs prior to proceeding landscape work and any required Field Reviews.
 - THIS PLAN HAS BEEN PREPARED FOR MUNICIPAL SITE PLAN APPROVAL ONLY AND MAY NOT BE USED FOR ANY OTHER PURPOSE.**



LOCATION PLAN



OWNER:
HARNOIS NEPEAN
2489 Sheffield Rd., Ottawa, ON K1B 3V6

ARCHITECT:
MRA ARCHITECTURE + DESIGN
443 Saint-Claude, Montreal, QC H2Y 3B6

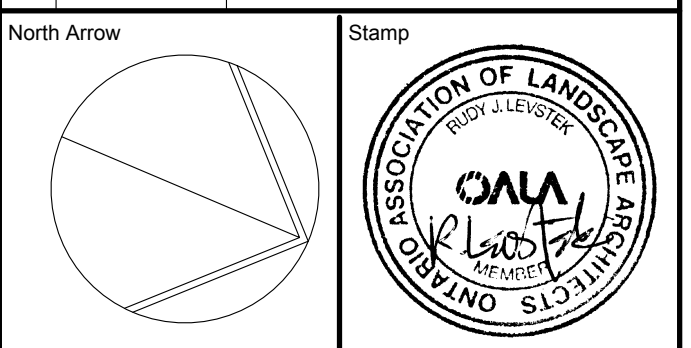
CIVIL ENGINEER:
PARSONS
100-1223 Michael St. N. Ottawa ON K1J 7T2

ONTARIO LAND SURVEYOR:
Farley, Smith & Denis Surveying Ltd.
30 Colonnade Rd., Ottawa, ON K2E 7J6

LEGAL DESCRIPTION:
Part of Lot 30, Concession 1 (Rideau Front),
Geographic Township of Nepean,
City of Ottawa.

FOR APPROVAL ONLY

no.	date	revision
8.	MAR.13/26	PER UPDATED SITE PLAN
7.	DEC.18/25	PER UPDATED SITE PLAN
6.	AUG.20/25	PER UPDATED SITE PLAN
5.	APR. 24/25	PER CITY COMMENTS
4.	APR. 14/25	PER CITY COMMENTS
3.	FEB.14/25	RE- ISSUE FOR SITE PLAN APPROVAL
2.	OCT.11/24	RE- ISSUE FOR SITE PLAN APPROVAL
1.	MAR. 11/24	ISSUE FOR SITE PLAN APPROVAL



Contractor shall check and verify all dimensions on site and report all errors and/or omissions to the Consultant.
Work to be done in accordance with all applicable codes and by-laws.
Do not scale Drawing.
This Drawing shall not be used for construction until signed by the Consultant.
Copyright reserved. This Drawing is the exclusive property of Levstek Consultants Inc. and shall not be used without consent.

Consultant
LEVSTEK CONSULTANTS
LANDSCAPE ARCHITECTS
5871 Hugh Crescent - Ottawa - Ontario - K9A 2W9
613 - 826 - 0518

Project:
CONVENIENCE STORE / RESTO
1660 MERIVALE ROAD
NEPEAN, ONTARIO

LANDSCAPE PLAN

Drawn	MGB	Date	MAR. 2024	Drawing No.	L1.01
Scale	1:250	Project No.	1226		