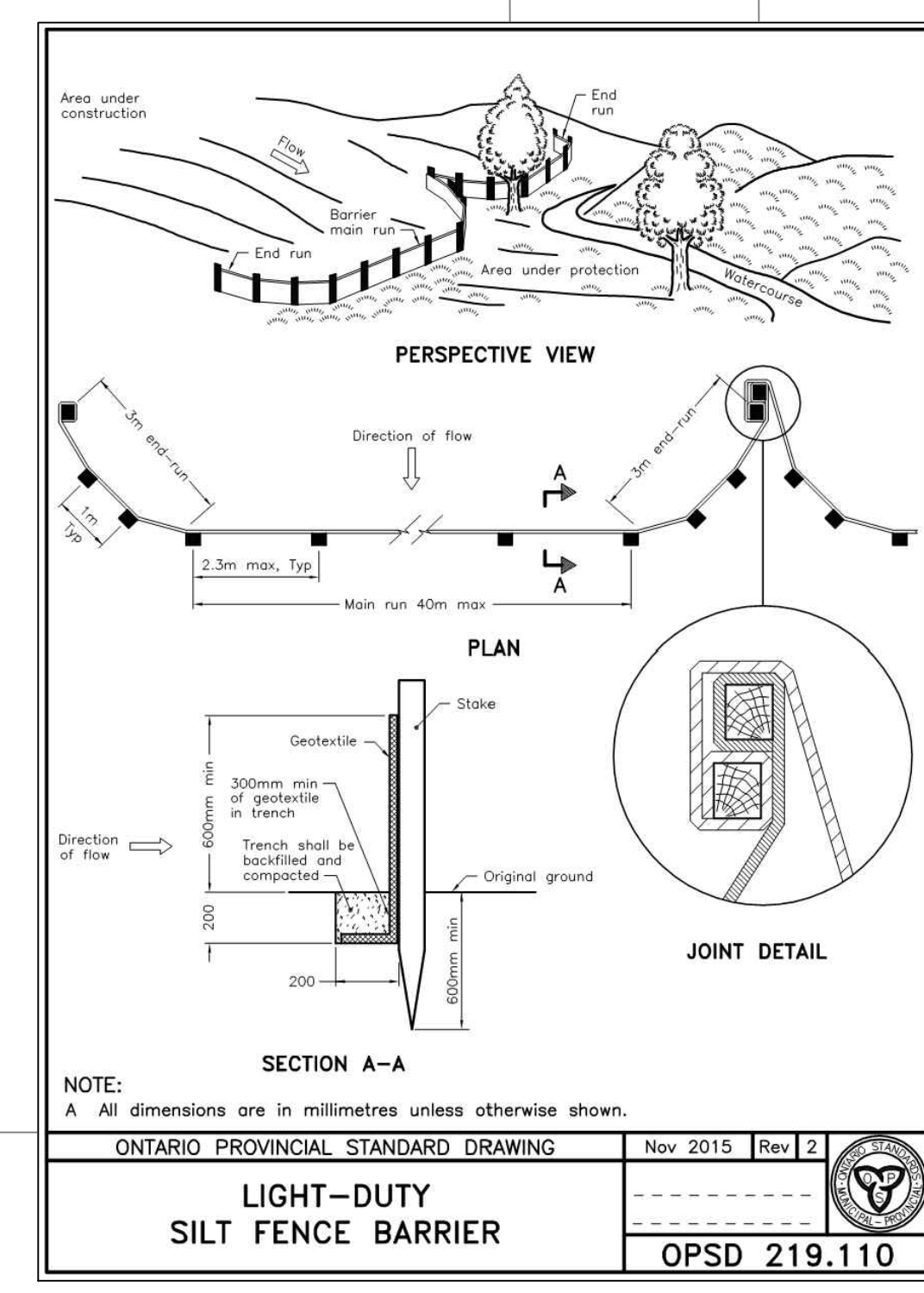
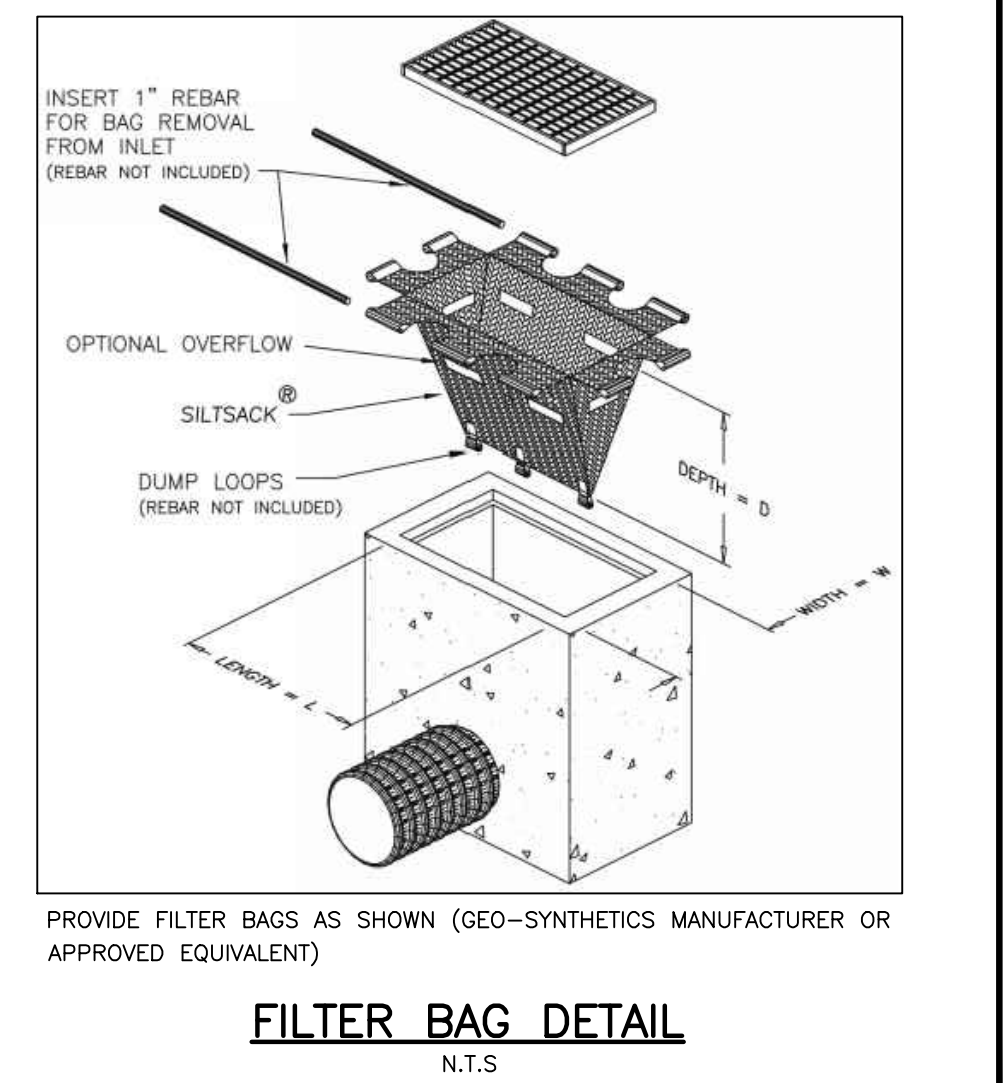


- NOTES:**
- STONE - USE CLEAR CRUSHED 100mm STONE.
  - LENGTH - AS REQUIRED BUT NOT LESS THAN 15.0m.
  - THICKNESS - NOT LESS THAN 300mm.
  - WIDTH - 7.0m MINIMUM, NOT LESS THAN THE WIDTH AT POINTS WHERE INGRESS OR EGRESS OCCURS.
  - FILTER CLOTH - WILL BE PLACED OVER THE ENTIRE AREA PRIOR TO PLACING STONE.
  - MAINTENANCE - THE ENTRANCE SHALL BE MAINTAINED IN A CONDITION WHICH WILL PREVENT TRACKING OR FLOWING OF SEDIMENT ONTO PUBLIC RIGHT-OF-WAY. THIS MAY REQUIRE PERIODIC TOP DRESSING WITH ADDITIONAL STONE AS CONDITIONS DEMAND AND REPAIR AND/OR CLEAN OUT OF ANY MEASURES USED TO TRAP SEDIMENT. ALL SEDIMENT SPILLED, DROPPED OR TRACKED ONTO THE PUBLIC RIGHT-OF-WAY MUST BE REMOVED IMMEDIATELY.
  - PERIODIC INSPECTION AND NEEDED MAINTENANCE SHALL BE PROVIDED AFTER EACH RAIN.

**MUD MAT DETAIL**  
N.T.S



- NOTES:**
- WOVEN WIRE FENCE TO BE FASTENED SECURELY TO WOOD POSTS WITH WIRE TIES OR STAPLES.
  - POSTS TO BE SPACED AT 2.3 METRES CENTRE TO CENTRE.
  - WHEN TWO SECTIONS OF FILTER CLOTH ADJOIN EACH OTHER THEY SHALL BE OVERLAPPED BY A MINIMUM OF 500mm.
  - MAINTENANCE SHALL BE PERFORMED AS NEEDED AND MATERIAL REMOVED WHEN 'BULGES' DEVELOP IN THE SILT FENCE.
  - WOOD POSTS TO BE HARDWOOD TYPE (50mm x 50mm).
  - GEOTEXTILE TO BE EMBEDDED 200mm INTO GROUND.
  - GEOTEXTILE TO CONFORM TO OPSS 805 STANDARDS.
  - SILT FENCE MUST BE INSTALLED BEFORE COMMENCEMENT OF CONSTRUCTION AND IN ACCORDANCE WITH DETAIL. SILT FENCE CAN BE REMOVED AFTER LANDSCAPING IS COMPLETE.
  - SEDIMENTS MUST BE CLEARED AWAY WHEN THEY REACH HALF THE HEIGHT OF THE FENCE.



**FILTER BAG DETAIL**  
N.T.S

**EROSION AND SEDIMENT CONTROLS DURING CONSTRUCTION.**

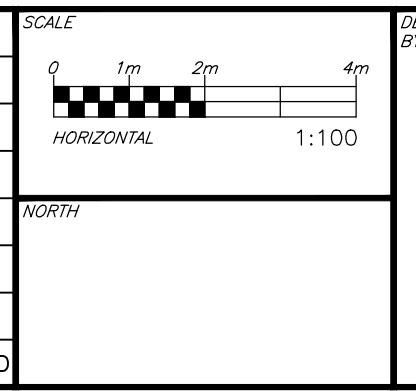
DURING ALL CONSTRUCTION ACTIVITIES, EROSION AND SEDIMENTATION SHALL BE CONTROLLED BY THE FOLLOWING TECHNIQUES:

- THE CONTRACTOR SHALL IMPLEMENT BEST MANAGEMENT PRACTICES, TO PROVIDE FOR PROTECTION OF THE AREA DRAINAGE SYSTEM AND THE RECEIVING WATERCOURSE, DURING CONSTRUCTION ACTIVITIES. THE CONTRACTOR ACKNOWLEDGES THAT FAILURE TO IMPLEMENT APPROPRIATE EROSION AND SEDIMENT CONTROL MEASURES MAY BE SUBJECT TO PENALTIES IMPOSED BY ANY APPLICABLE REGULATORY AGENCY. CONTRACTOR IS RESPONSIBLE TO KEEP THE ROADS FREE AND CLEAN FROM MUD OR DEBRIS.
- LIMITING THE EXTENT OF EXPOSED SOILS AT ANY GIVEN TIME.
- REVEGETATION OF EXPOSED AREAS AS SOON AS POSSIBLE.
- MINIMIZATION OF AREA TO BE CLEARED AND DISRUPTION TO ADJACENT AREAS.
- INSTALLATION OF FILTER CLOTH BETWEEN FRAME AND COVER ON ALL PROPOSED CATCH BASINS AND CATCH BASIN MANHOLES.
- A SILT FENCE TO BE INSTALLED 0.3m INSIDE THE SITE PROPERTY LINE TO LOCATIONS SHOWN ON THIS DRAWING.
- A VISUAL INSPECTION SHALL BE COMPLETED DAILY ON SEDIMENT CONTROL BARRIERS AND ANY DAMAGE REPAIRED IMMEDIATELY. CARE WILL BE TAKEN TO PREVENT DAMAGE DURING CONSTRUCTION OPERATIONS.
- IN SOME CASES SOME BARRIERS MAY BE REMOVED TEMPORARILY TO ACCOMMODATE THE CONSTRUCTION OPERATIONS. THE AFFECTED BARRIERS WILL BE REINSTATED AT NIGHT WHEN CONSTRUCTION IS COMPLETED.
- THE SEDIMENT CONTROL DEVICES WILL BE CLEANED OF ACCUMULATED SILT AS REQUIRED. THE DEPOSITS WILL BE DISPOSED OF AS PER THE REQUIREMENTS OF THE CONTRACT.
- DURING THE COURSE OF CONSTRUCTION IF THE ENGINEER BELIEVES THAT ADDITIONAL PREVENTION METHODS ARE REQUIRED TO CONTROL EROSION AND SEDIMENTATION, THE CONTRACTOR WILL INSTALL ADDITIONAL SILT FENCES OR OTHER METHODS AS REQUIRED TO THE SATISFACTION OF THE ENGINEER.
- CONSTRUCTION AND MAINTENANCE REQUIREMENTS FOR EROSION AND SEDIMENT CONTROLS TO COMPLY WITH ONTARIO PROVINCIAL STANDARD SPECIFICATION (OPSS) OPSS 805, AND CITY OF OTTAWA SPECIFICATIONS.
- SEDIMENT AND EROSION CONTROL MEASURES MAY BE MODIFIED IN THE FIELD AT THE DISCRETION OF THE CITY OF OTTAWA SITE INSPECTOR OR CONSERVATION AUTHORITY.

**CAUTION**  
THE POSITION OF ALL POLE LINES, CONDUITS, WATERMANS, SEWERS AND OTHER UNDERGROUND AND OVERGROUND UTILITIES AND STRUCTURES IS NOT NECESSARILY SHOWN ON THE CONTRACT DRAWINGS, AND WHERE SHOWN, THE ACCURACY OF THE POSITION OF SUCH UTILITIES AND STRUCTURES IS NOT GUARANTEED. BEFORE STARTING WORK, DETERMINE THE EXACT LOCATION OF ALL SUCH UTILITIES AND STRUCTURES AND ASSUME ALL LIABILITY FOR DAMAGE TO THEM.

ELEVATIONS ARE GEODETIC AND ARE DERIVED FROM CITY OF OTTAWA VERTICAL BENCH MARK MONUMENT NO. 3606, INDEX NO. 118 HAVING AN ELEVATION 67.236 METERS.  
SITE BENCHMARKS 1 AND 2 ARE LOCATED ON HYDRO POLE AND HYDRANT ON CARRUTHERS AS INDICATED ON PLAN.

REV	REVISION DESCRIPTION	DATE	BY	APPD
3	RE-ISSUED FOR SPA	05/03/25	AKJ	AKJ
2	RE-ISSUED FOR SPA	29/01/25	AGJ	AKJ
1	ISSUED FOR SPA	23/10/24	AGJ	AKJ



DESIGNED BY: [Signature]  
REVIEWED BY: [Signature]  
LICENSED PROFESSIONAL ENGINEER  
A. K. JARWALA  
100562090  
2025/03/05  
PROVINCE OF ONTARIO

CLIENT: MR. MAJID AHANCARAN  
MA PRECIOUS HOLDINGS  
116 & 118 CARRUTHERS AVENUE  
OTTAWA, ON. K2V 0L3  
613.286.1020

exp. Services Inc.  
1-416-368-1899 | 1-613-225-7330  
100 Commercial Drive, Unit 100  
Ottawa, ON K2B 8H6  
Canada  
www.exp.com  
• BUILDINGS • EARTH & ENVIRONMENT • ENERGY •  
• INDUSTRIAL • INFRASTRUCTURE • SUSTAINABILITY •

BASE PLAN	AGJ
DESIGN	AGJ
CHECKED	AKJ
CAD	AGJ
PROJECT MANAGER	AKJ
APPROVED	AA

PROJECT: 116 & 118 CARRUTHERS AVE  
116 & 118 CARRUTHERS AVENUE  
OTTAWA, ONTARIO.  
EROSION AND SEDIMENT CONTROL PLAN

PROJECT No. OTT-24006545-AG  
SURVEY: AGV  
DATE: 01/03/2024  
DRAWING No. C300

File Name: \\exp\share\proj\116-118\116-118\116-118.dwg  
 User: jay@exp.com  
 Date: 2025/03/05 13:23:23  
 Plot: 116-118.dwg  
 Plot Date: 2025/03/05 13:23:23  
 Plot Scale: 1:100  
 Plot Orientation: Landscape  
 Plot Color: Black  
 Plot Lineweight: 0.50  
 Plot Linetype: Solid  
 Plot Font: Arial, 10  
 Plot Title: 116-118.dwg  
 Plot Sheet: 1 of 1