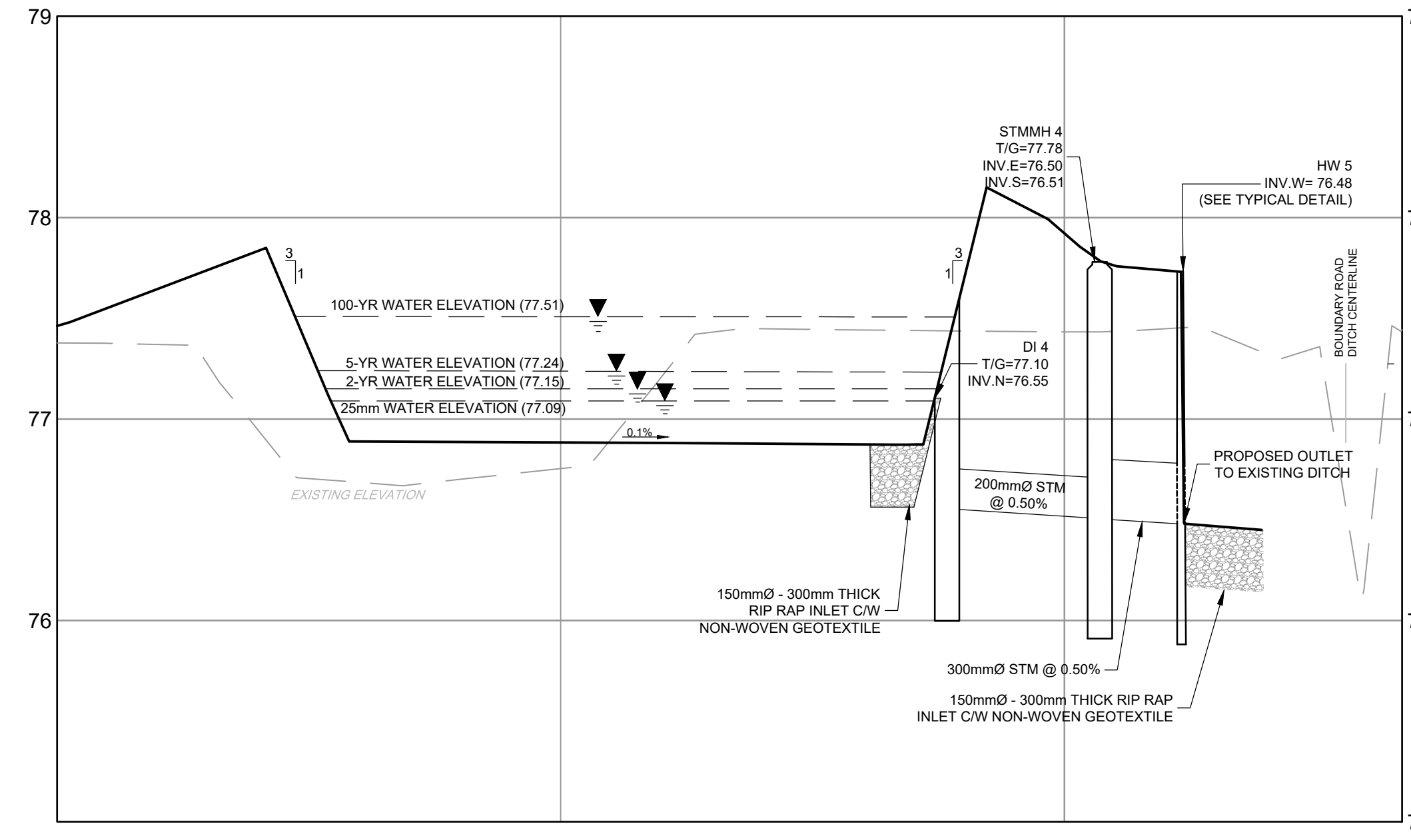
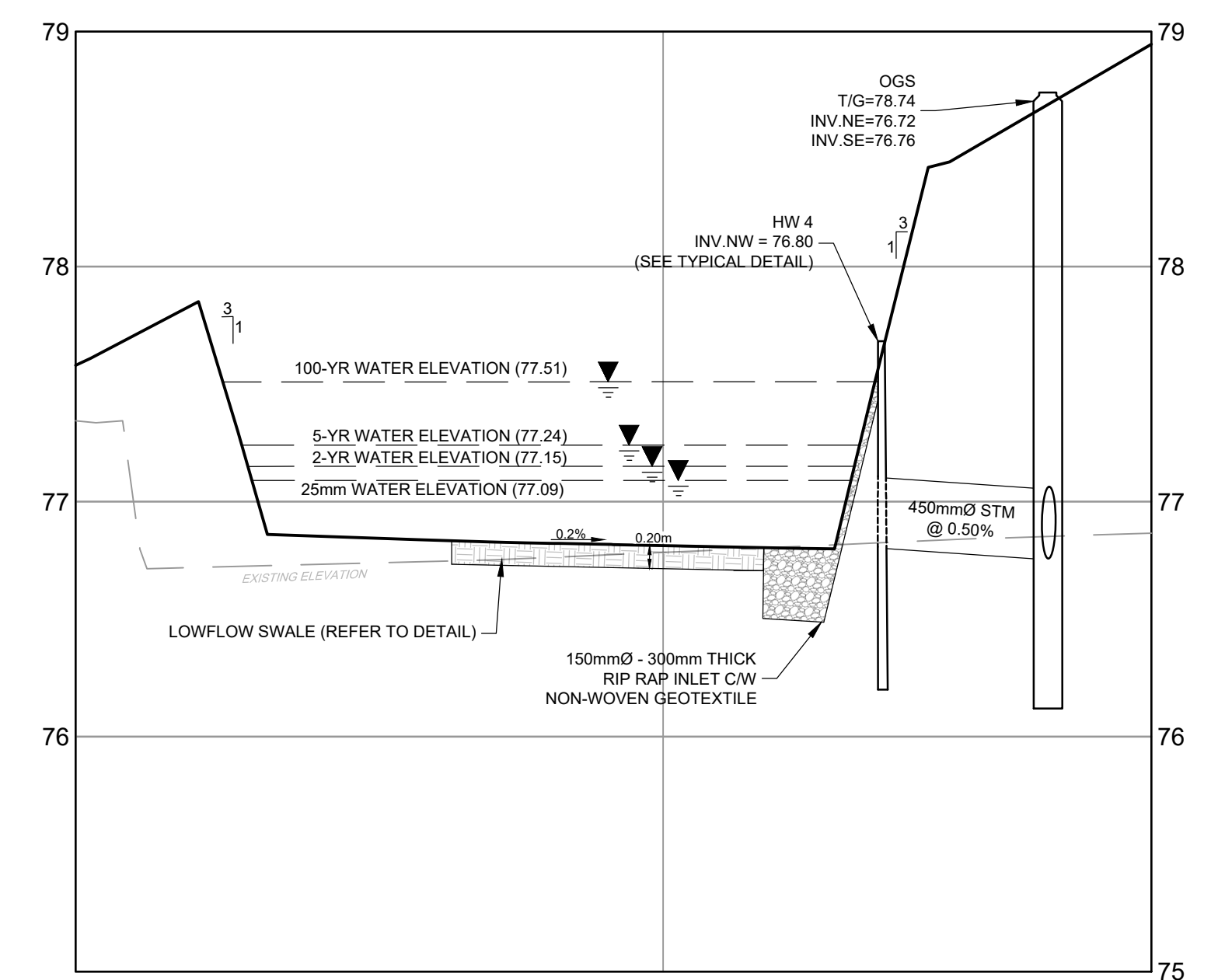


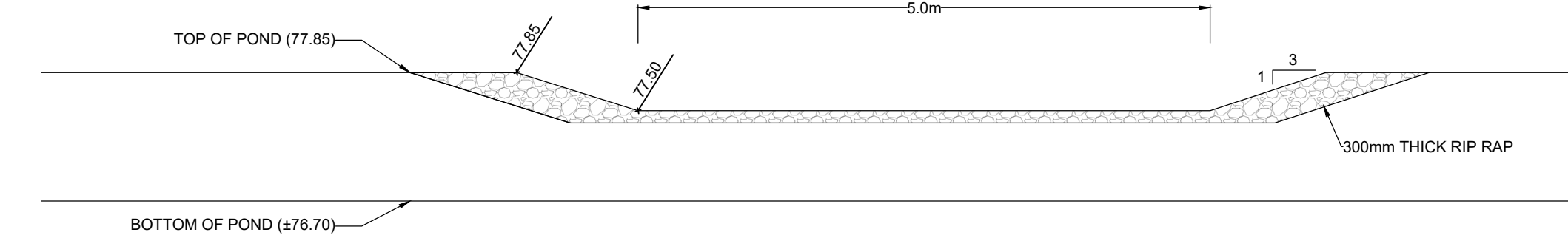
SOUTH POND PLAN VIEW
SCALE: 1:250



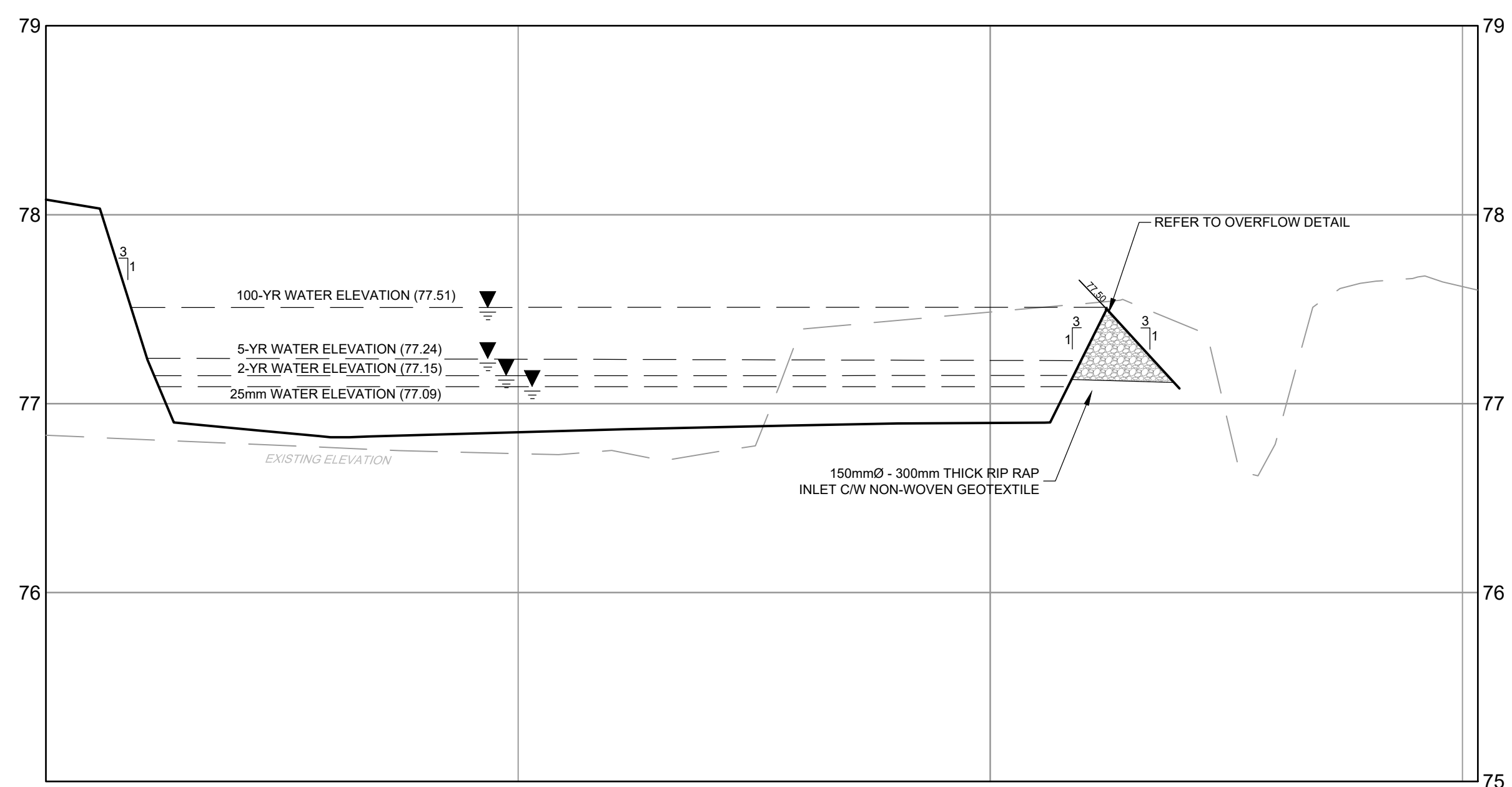
POND CROSS SECTION DETAIL F-F
SCALE: 1:250 HORIZONTAL
1:25 VERTICAL



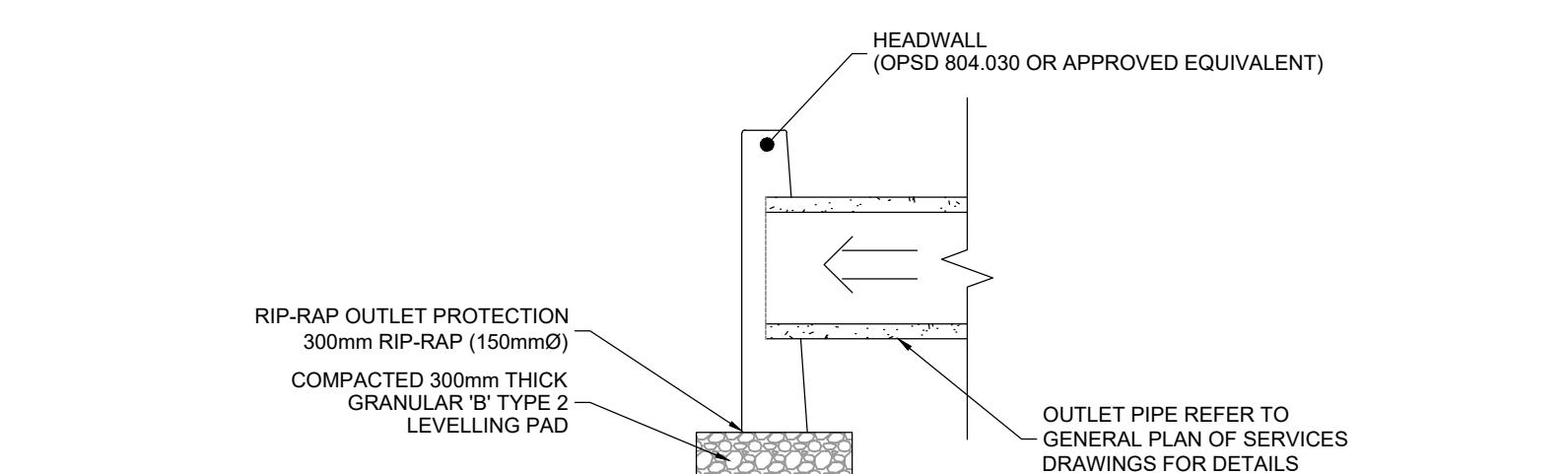
POND CROSS SECTION DETAIL G-G
SCALE: 1:250 HORIZONTAL
1:25 VERTICAL



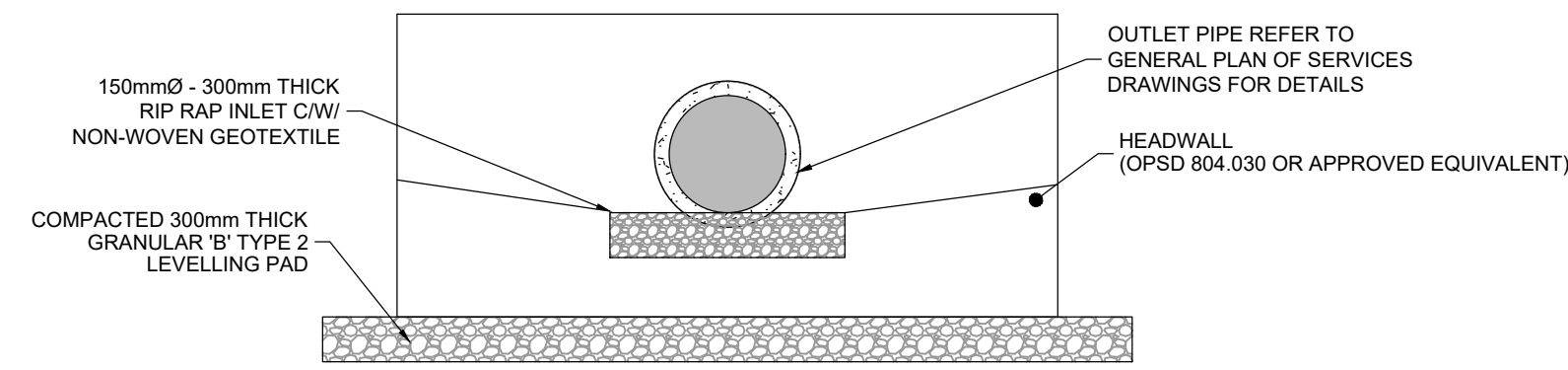
TYPICAL POND EMERGENCY OVERFLOW WIER
SCALE: N.T.S.



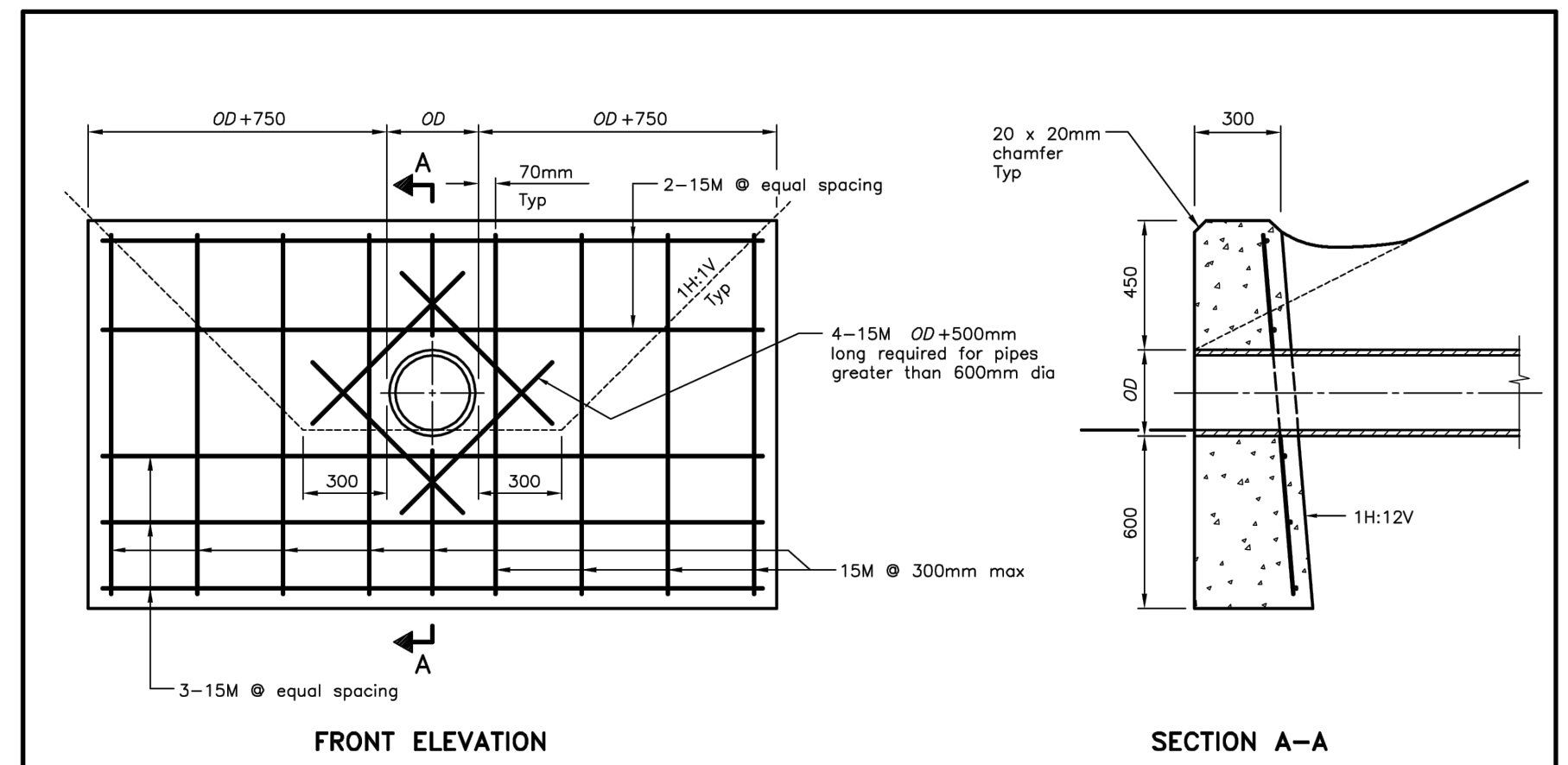
POND CROSS SECTION DETAIL I-I
SCALE: 1:250 HORIZONTAL
1:25 VERTICAL



TYPICAL POND OUTLET HEADWALL DETAIL - PROFILE
SCALE: N.T.S.



TYPICAL POND OUTLET HEADWALL DETAIL - ELEVATION
SCALE: N.T.S.



LEGEND:
OD = Outside diameter of pipe

NOTES:
A This OPSD is to be read in conjunction with OPSD 3940.150.
B If a steel grate is required, refer to OPSD 804.05.
C Class of concrete: 30MPa.
D Cover to reinforcing bars 70mm ± 20mm.
E All dimensions are in millimetres unless otherwise shown.

ONTARIO PROVINCIAL STANDARD DRAWING		Nov 2017	Rev 2
CONCRETE HEADWALL			
FOR PIPE LESS THAN 900mm DIAMETER			
OPSD 804.030			

NOTE:
THE POSITION OF ALL POLE LINES, CONDUITS, WATERMANS, SEWERS AND OTHER UNDERGROUND AND OVERGROUND UTILITIES AND STRUCTURES IS NOT NECESSARILY SHOWN ON THE CONTRACT DRAWINGS, AND WHERE SHOWN, THE ACCURACY OF THE POSITION OF SUCH UTILITIES AND STRUCTURES IS NOT GUARANTEED. BEFORE STARTING WORK, DETERMINE THE EXACT LOCATION OF ALL SUCH UTILITIES AND STRUCTURES AND ASSUME ALL LIABILITY FOR DAMAGE TO THEM.

No.	REVISION	DATE	BY
3	REVISED PER SNCA COMMENTS	APR 24/2026	MJH
2	REVISED PER CITY COMMENTS	FEB 20/2026	MJH
1	REVISED PER CITY AND SNCA COMMENTS	NOV 14/2025	MJH

SCALE: AS SHOWN

FOR REVIEW ONLY

DESIGN: MJH
CHECKED: JLS
DRAWN: MJH
CHECKED: JLS
APPROVED: MJH

PROFESSIONAL ENGINEER
M. J. HEBBURN
10021255
APR 24 2026
PROVINCE OF ONTARIO

LOCATION:
CITY OF OTTAWA
6510 BOUNDARY ROAD

DRAWING NAME:
NOTES AND DETAILS

PROJECT No.: 118168
REV # 3
DRAWING No.: 118168-PND1

NOVATECH
Engineers, Planners & Landscape Architects
Suite 200, 240 Michael Copeland Drive
Ottawa, Ontario, Canada K2M 1P6
Telephone: (613) 254-9643
Facsimile: (613) 254-5867
Website: www.novatech-eng.com