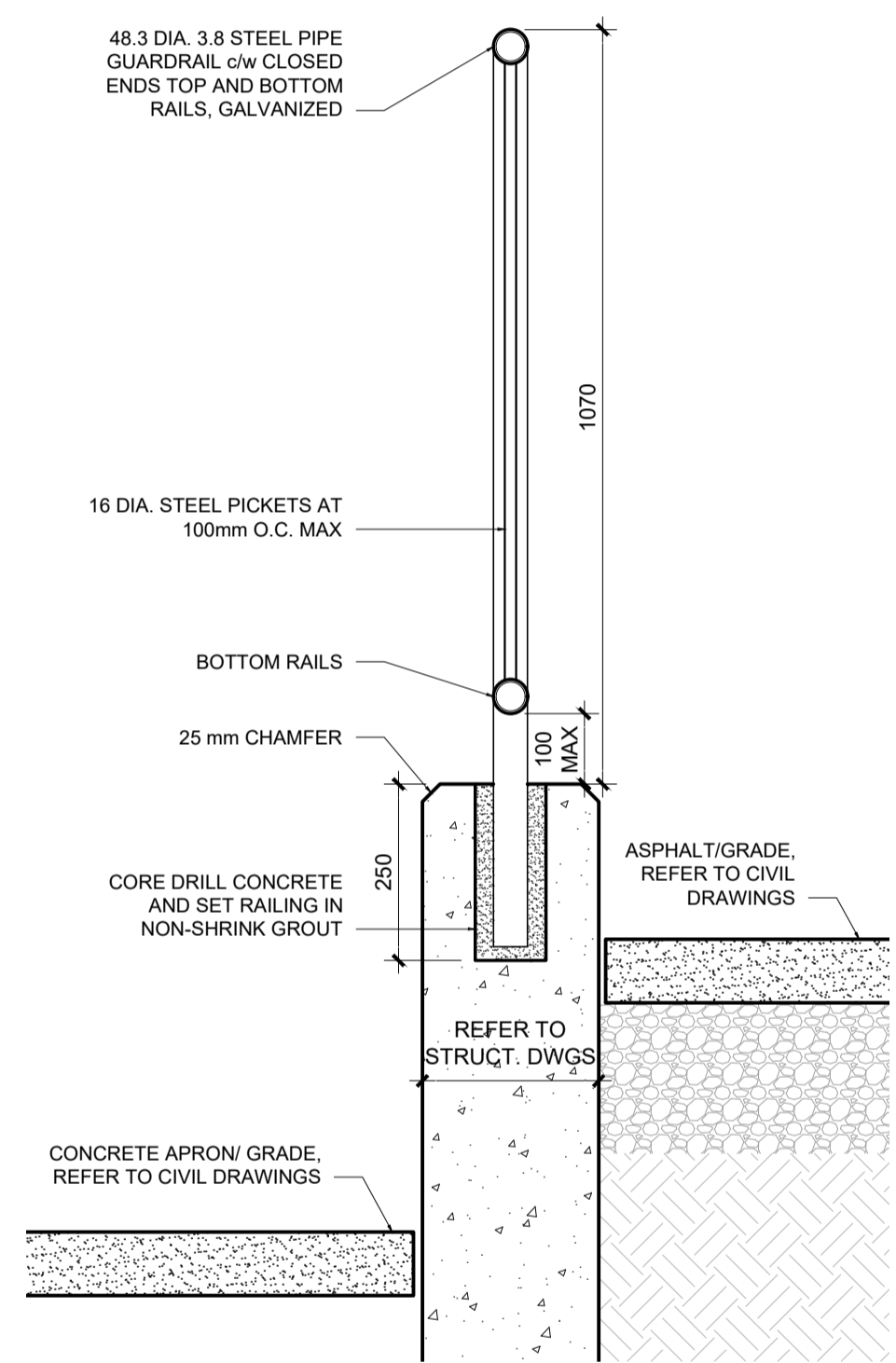
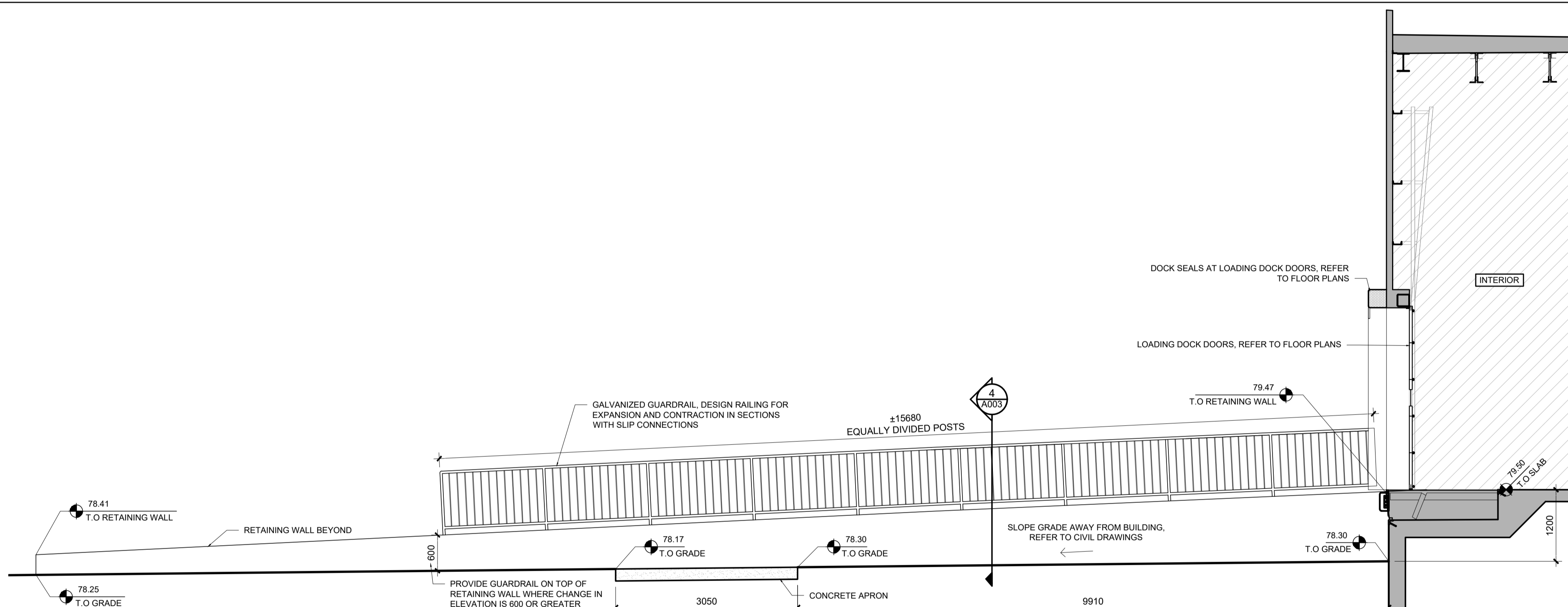


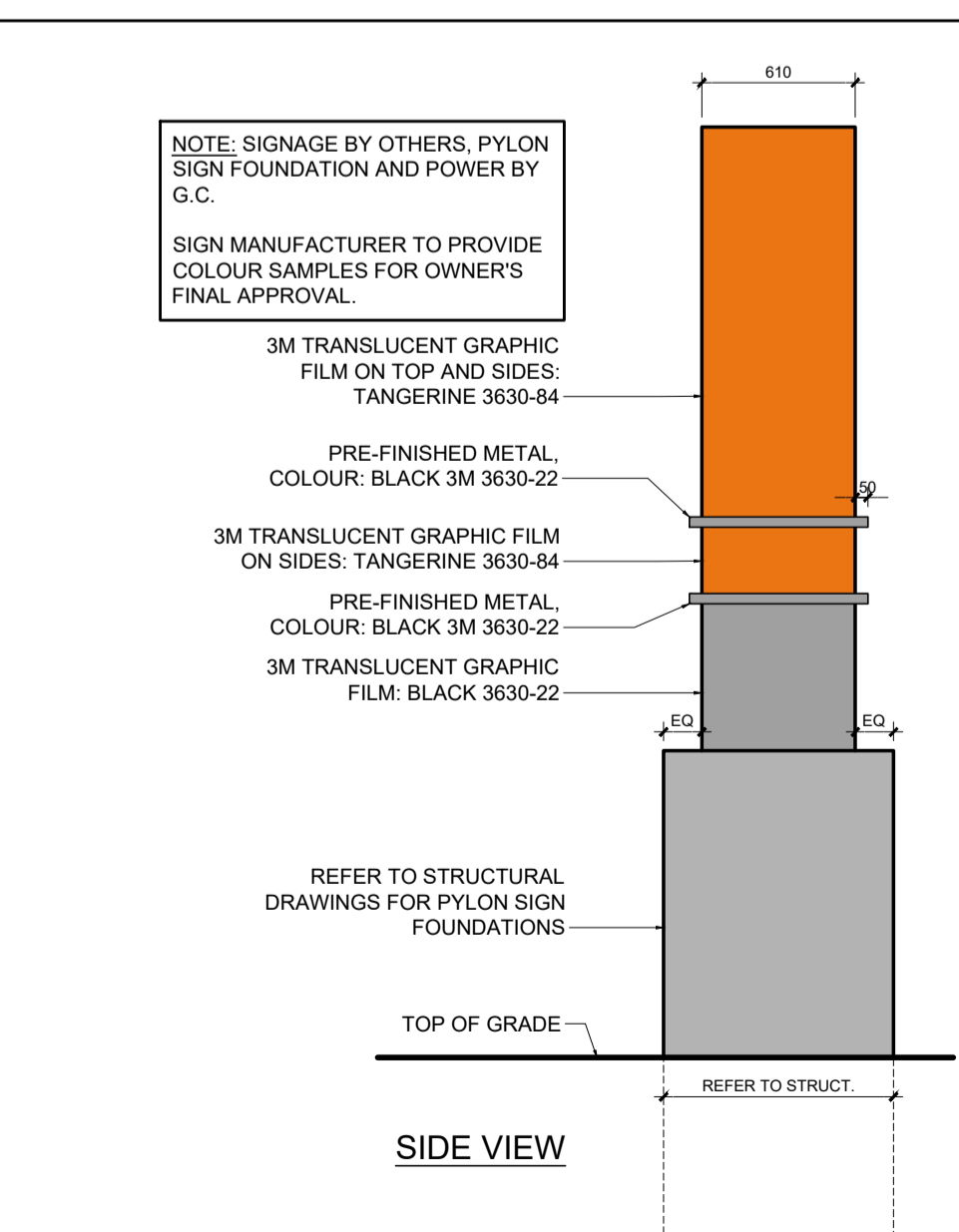
**5 RETAINING WALL DETAIL**  
SCALE 1:50



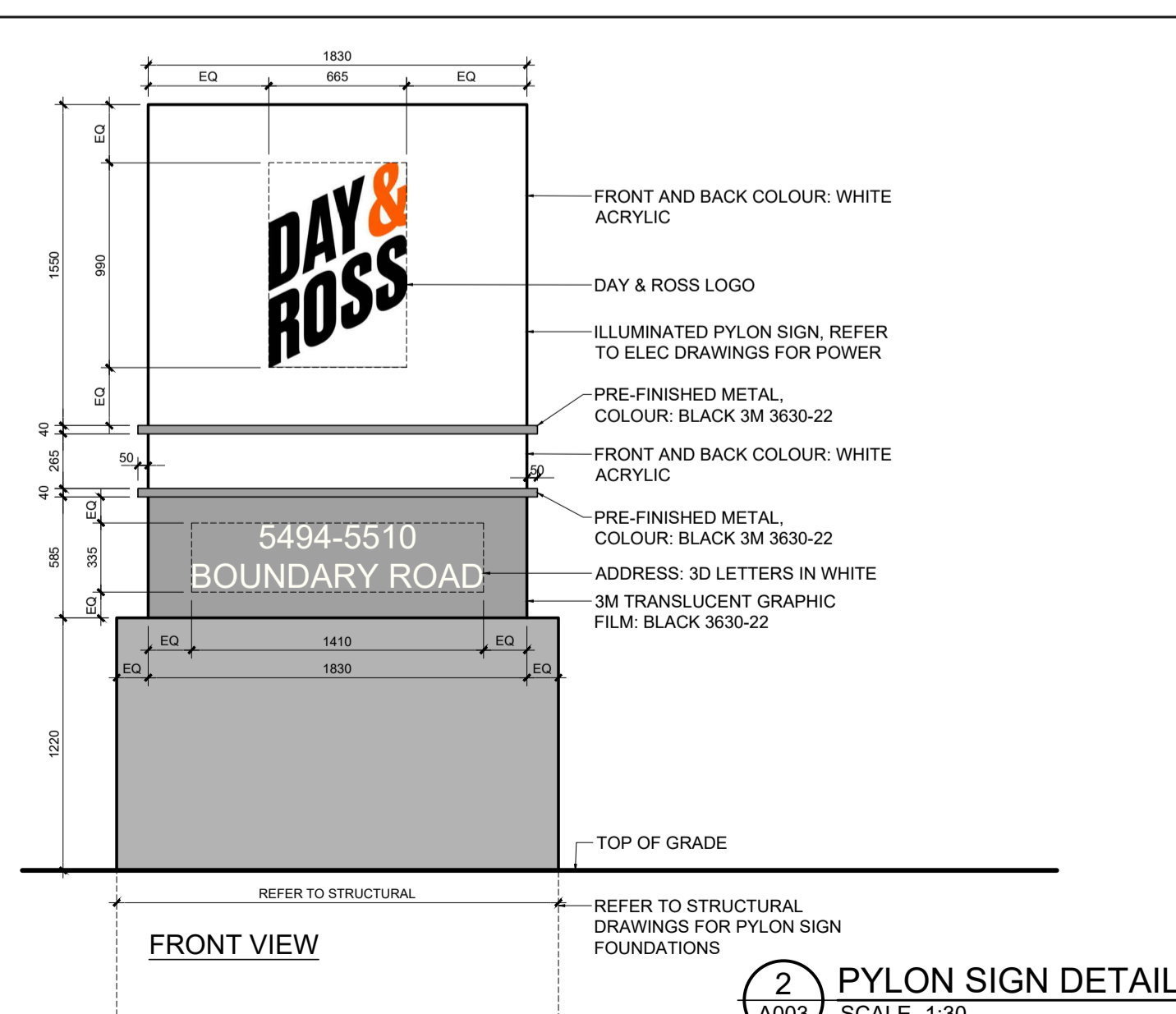
**4 GUARDRAIL DETAIL**  
SCALE 1:10



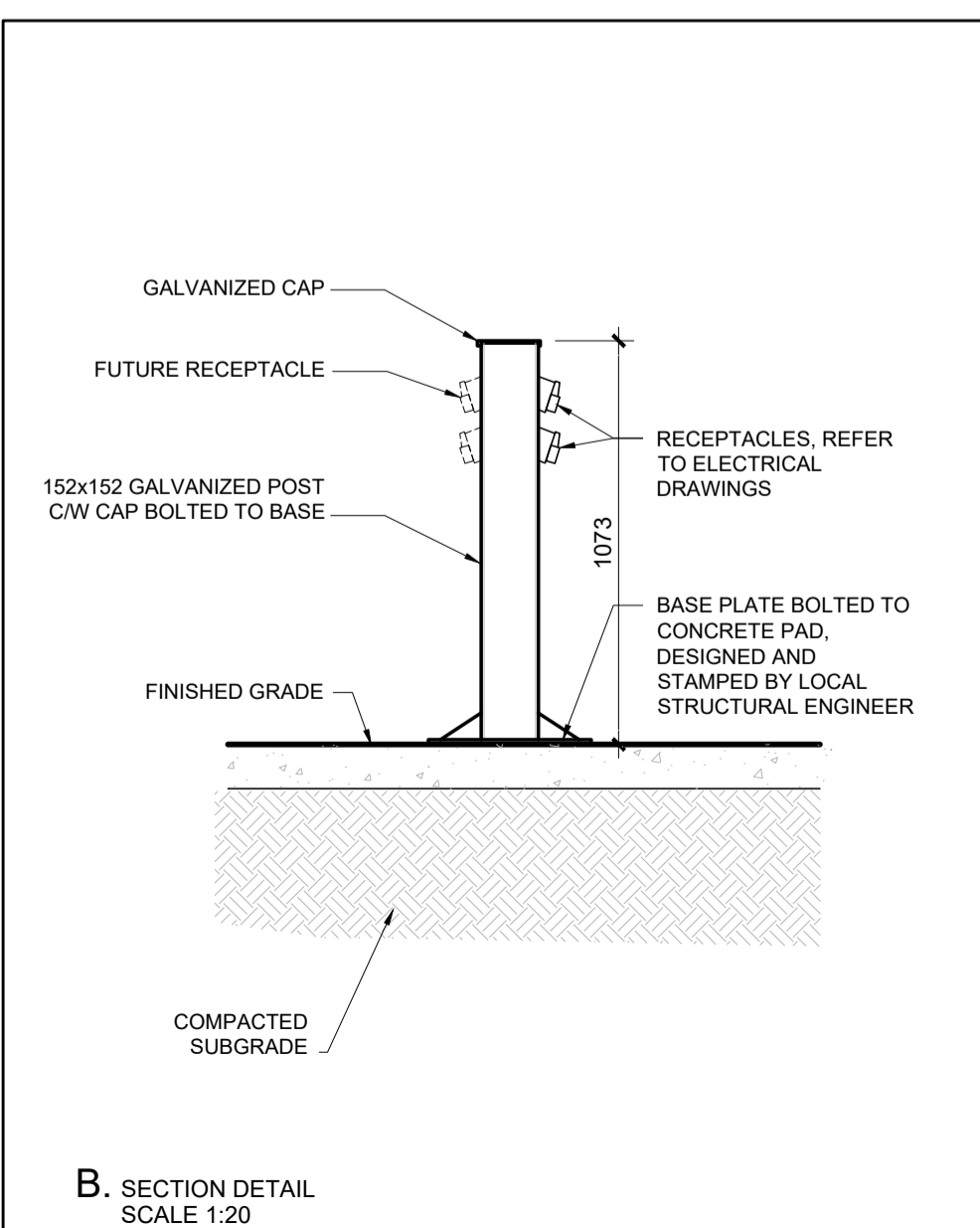
**3 RETAINING WALL DETAIL**  
SCALE 1:50



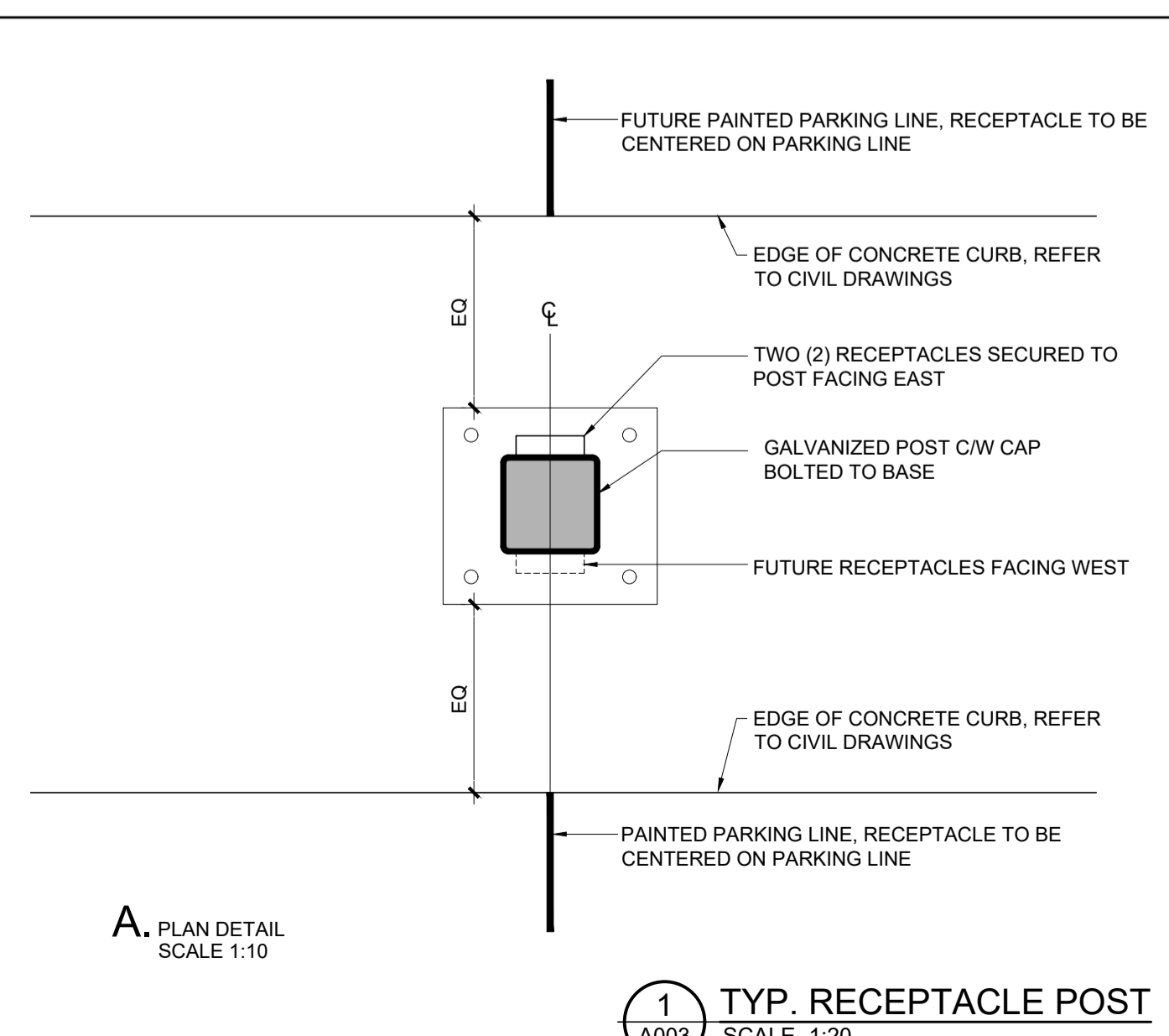
SIDE VIEW



**2 PYLON SIGN DETAIL**  
SCALE 1:30



**B. SECTION DETAIL**  
SCALE 1:20



**A. PLAN DETAIL**  
SCALE 1:10

**1 TYP. RECEPTACLE POST**  
SCALE 1:20

no.	revision	date
05	SPA COMMENTS RESPONSE	2 MAR 2026
04	ISSUE FOR BUILDING PERMIT	24 OCT 2024
03	ISSUE FOR 90% SUBMISSION	03 OCT 2024
02	ISSUE FOR SITE PLAN CONTROL APPLICATION	24 SEPT 2024
01	ISSUE FOR 60% SUBMISSION	15 AUG 2024

**N45 ARCHITECTURE INC.**  
71 Bank Street, 7th Floor - Ottawa, Ontario, K1P 5N2  
tel. 613.224.0095 fax 613.224.9811

**DAY & ROSS**  
5494-5510 BOUNDARY ROAD  
GLOUCESTER, ON



drawing title	
<b>SITE DETAILS</b>	
scale AS SHOWN	drawn by DL
date JUNE 2024	checked by RM
project number <b>22-765</b>	drawing number <b>A003</b>
CONTRACTOR TO VERIFY ALL DIMENSIONS AND NOTIFY THE ARCHITECT OF ANY DISCREPANCIES BEFORE WORK COMMENCES.	
DO NOT SCALE DRAWINGS	revision <b>05</b>