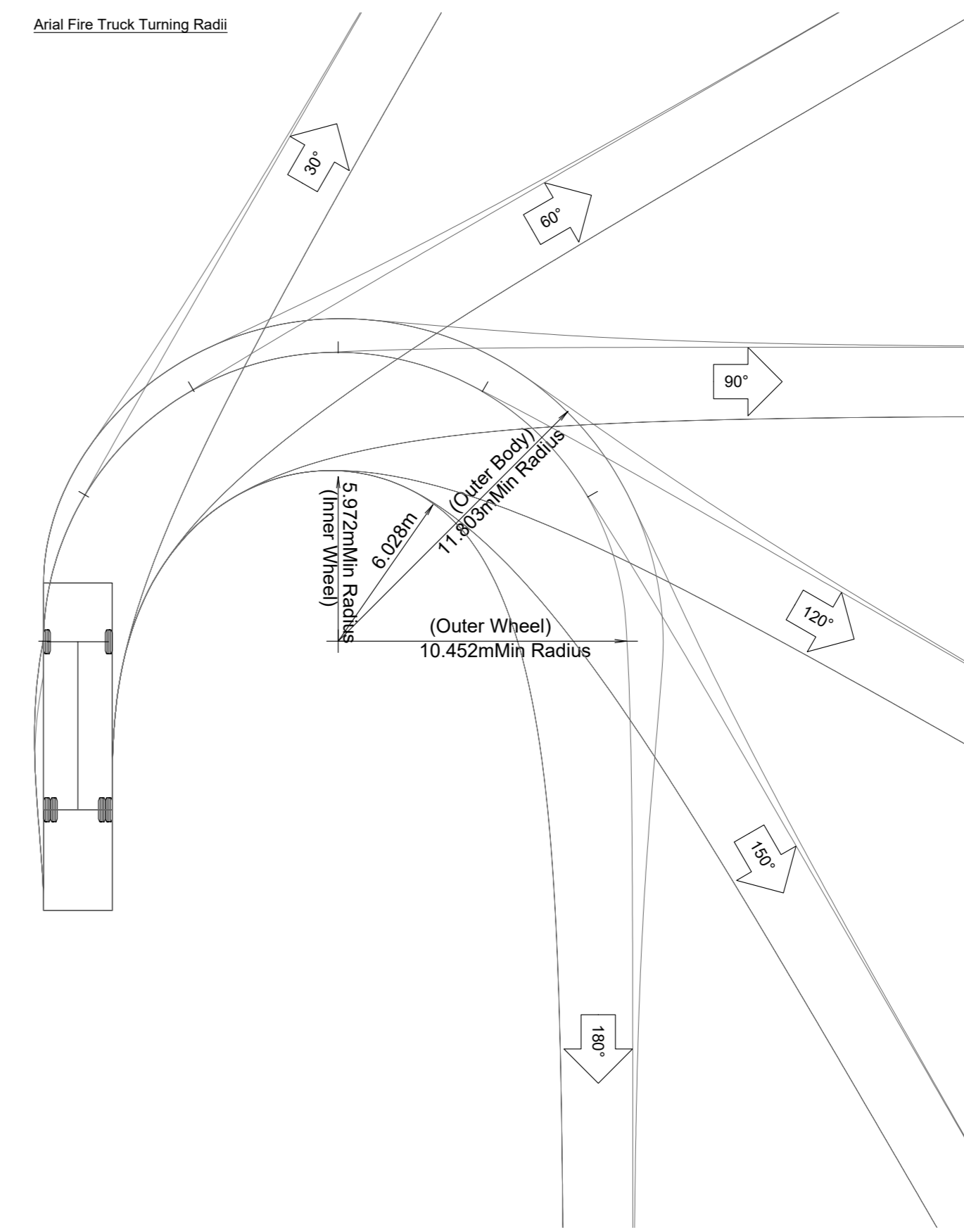

JOHN SEVIGNY C.E.T.
MANAGER (A), DEVELOPMENT REVIEW EAST
PLANNING, DEVELOPMENT & BUILDING SERVICES
DEPARTMENT, CITY OF OTTAWA

APPROVED
 By sevignyjo at 2:42 pm, Apr 09, 2026

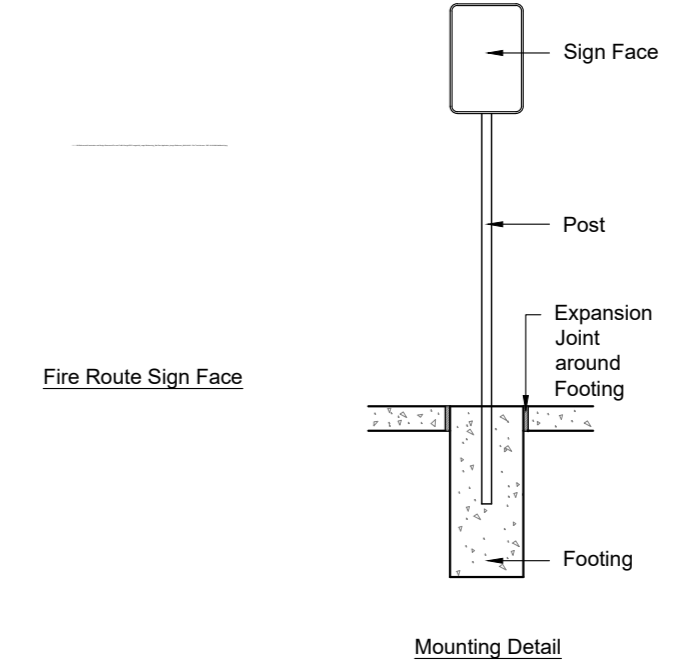
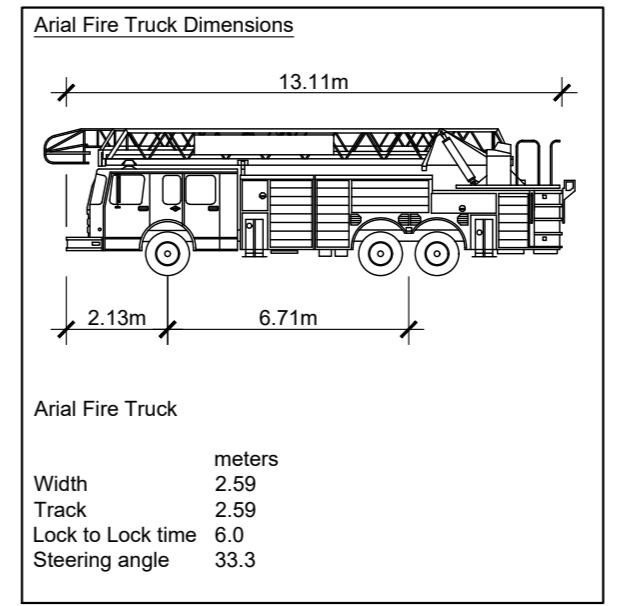


As per BYLAW 2003-499, Schedule B- Fire Routes, a sign prohibiting parking in a fire route shall:

- Be not less than 450mm in height and not less than 300mm in width.
- Bear the markings and message that the area in a fire route where parking is prohibited and include double arrows, angled at the end of a fire route where single arrows shall be included.
- Include in black letters of a min height of 40mm, the English language message "Fire Route" and the French language message "Routes Des Pompiers" below the message "Fire Route"
- Have the design as that illustrated.
- Be located no more than 25.0m apart unless otherwise specifically approved.
- Have the lower edge of each sign be between 2.0m and 2.5m above grade.

Signage face:
0.064mm gauge aluminum sign blank, white background with top and bottom mount holes

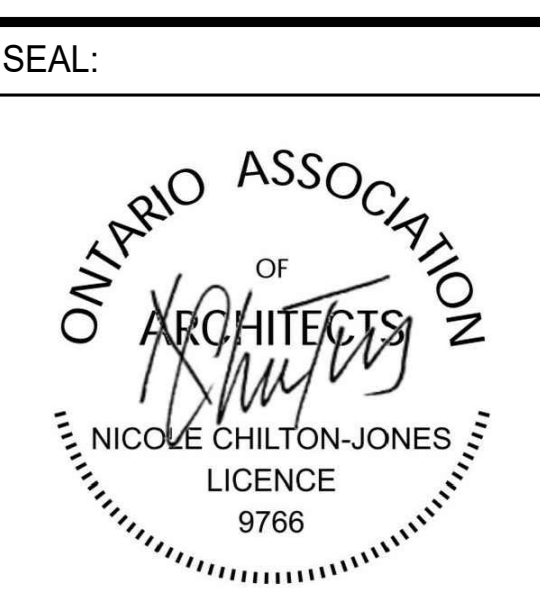
Mounting:
The sign face must be secured to a post with two galvanized 12mm hex, head bolts and nuts with flat washers on both sides



GENERAL NOTES:

- Do not scale drawings.
- The contractor shall check and verify all dimensions on site and report all discrepancies to the Architect.
- All work shall comply with the Ontario Building Code and the requirements of all authorities having jurisdiction.
- This drawing is the exclusive property of Ignite Architecture Inc. copyright reserved.

Note:
This Drawings shall be used only for the Site Plan Application, it is not to be used for Permit or Construction purposes.



LEGEND:

Item	Description
	Sodded Areas (Landscape Design by Others)
	Tactile Attention Indicator as per O.B.C. 3.8.3.18
	Concrete Pad
	Permeable Pavers
	Two way traffic
	Entrance to Building
	Fire Route Sign as per City Standard
	Barrier Free Parking Sign

DRAWING REVISIONS


No.	Issued for:	Date:
1	Issued for Coordination	12 Sept 2024
2	Issued for Site Plan Application	24 Sept 2024
3	Issued for Coordination	13 Nov 2024
4	Issued for Coordination	29 Nov 2024
5	Re-issued for Site Plan Application	16 Dec 2024
6	Re-issued for Site Plan Application	12 Feb 2025
7	Re-issued for Site Plan Application	26 Jun 2025
8	Issued for Coordination	25 Nov 2025
9	Updated zoning table	02 Dec 2025
10	Re-issued for Site Plan Application	02 Feb 2026
11	Plan number added	11 Mar 2026


SITE ADDRESS:
524 Lacolle Way
Ottawa, ON K4A 0N9

OWNER INFORMATION:
Patrice Houle Holdings Inc.
2360 Old Highway 17
Rockland, ON K4K 1K7

ARCHITECTS:

 Ignite Architecture Inc.
 533 Landswood Way
 Ottawa, ON K2S 0A6
 Phone: 613-912-1832
 Email: nicole@ignitearchitecture.ca

ENGINEERS:

 ENGINEERING | INSPECTION
 5430 Carleton Road | Ottawa, ON K1J 9J2
 www.lrj.ca | (613) 842-3434

SURVEYORS:

 ANNIS, O'SULLIVAN, VOLLEBEKK LTD.
 P.O. Box 93, 2344 Woodbine
 Street, Willowdale, ON M2H 1P7
 Phone: (416) 492-2881, Fax: (416) 492-2229

DRAWING TITLE:
FIRE ACCESS ROUTE

PROJECT:	DWG NO.:
2412	A1

FILE NO.:
D07-12-24-0112

PLAN NO.:
16735

