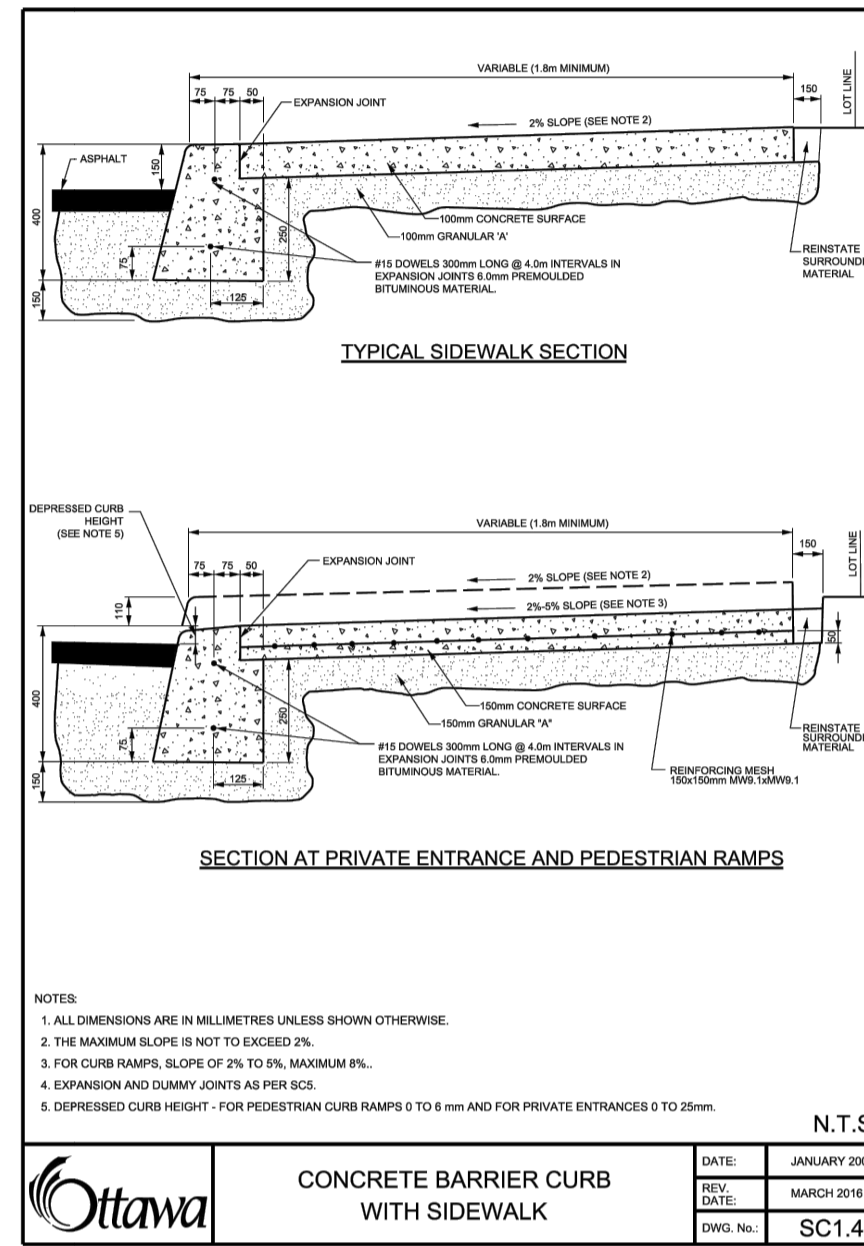
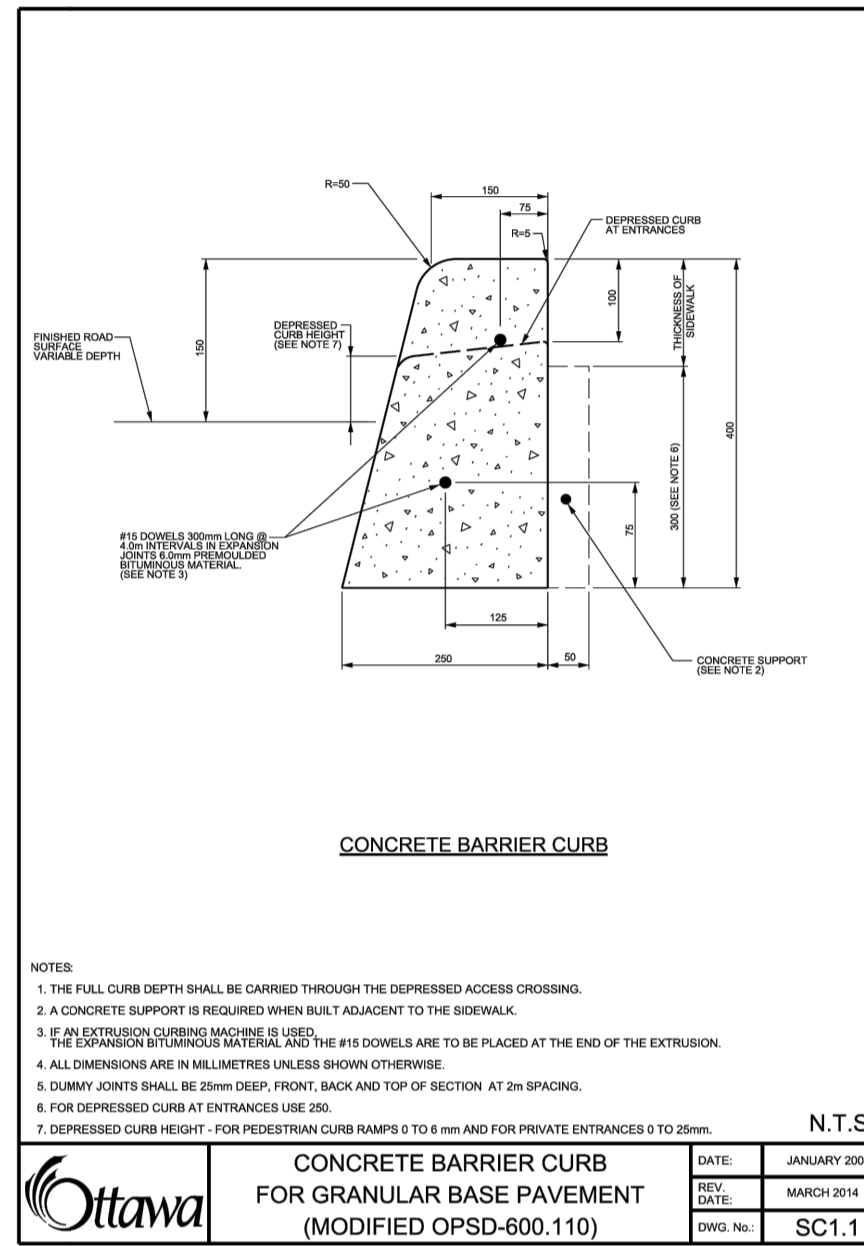


JOHN SEVIGNY C.E.T.
MANAGER (A), DEVELOPMENT REVIEW EAST
PLANNING, DEVELOPMENT & BUILDING SERVICES
DEPARTMENT, CITY OF OTTAWA

APPROVED
By sevignyo at 2:44 pm, Apr 09, 2026



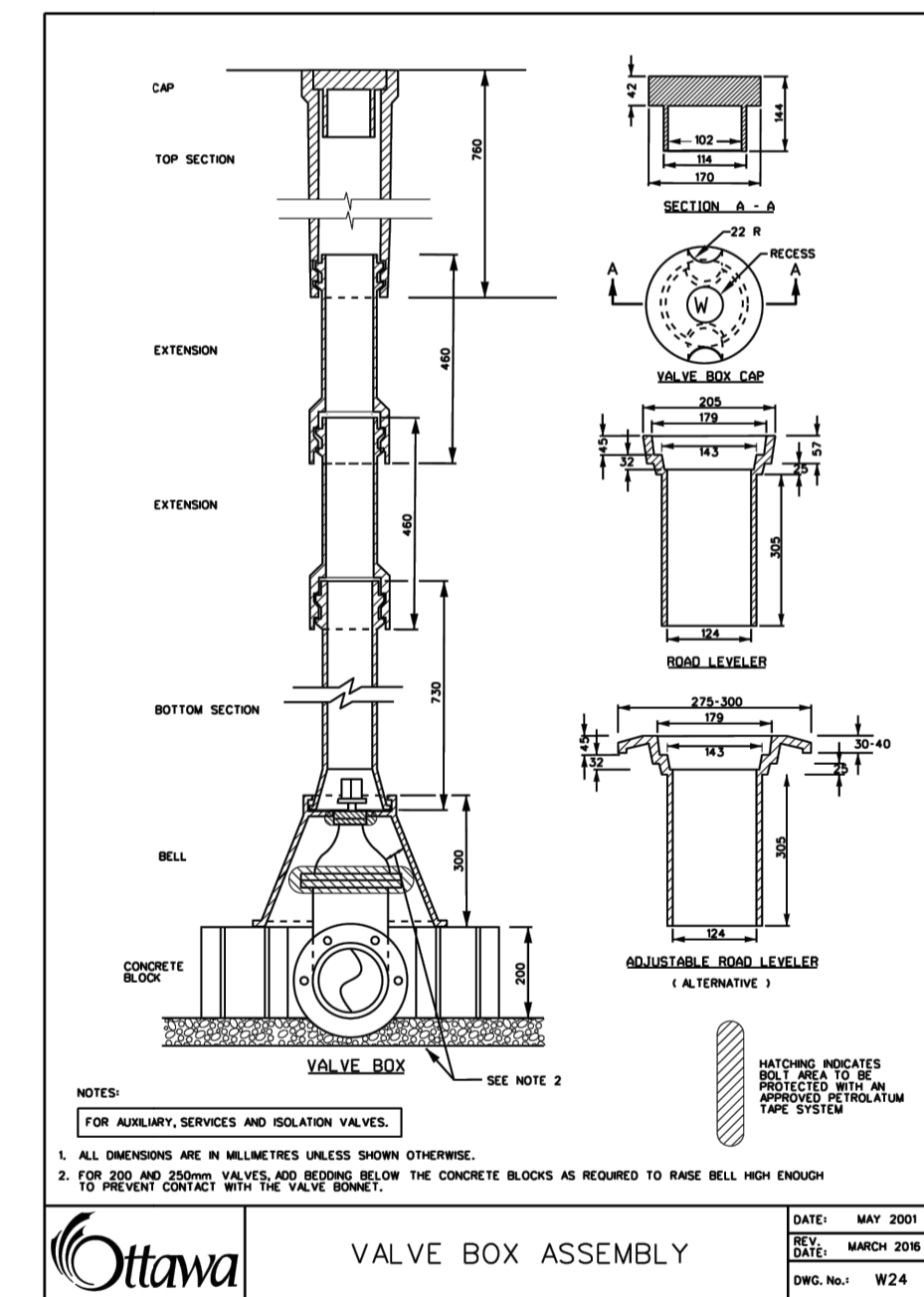
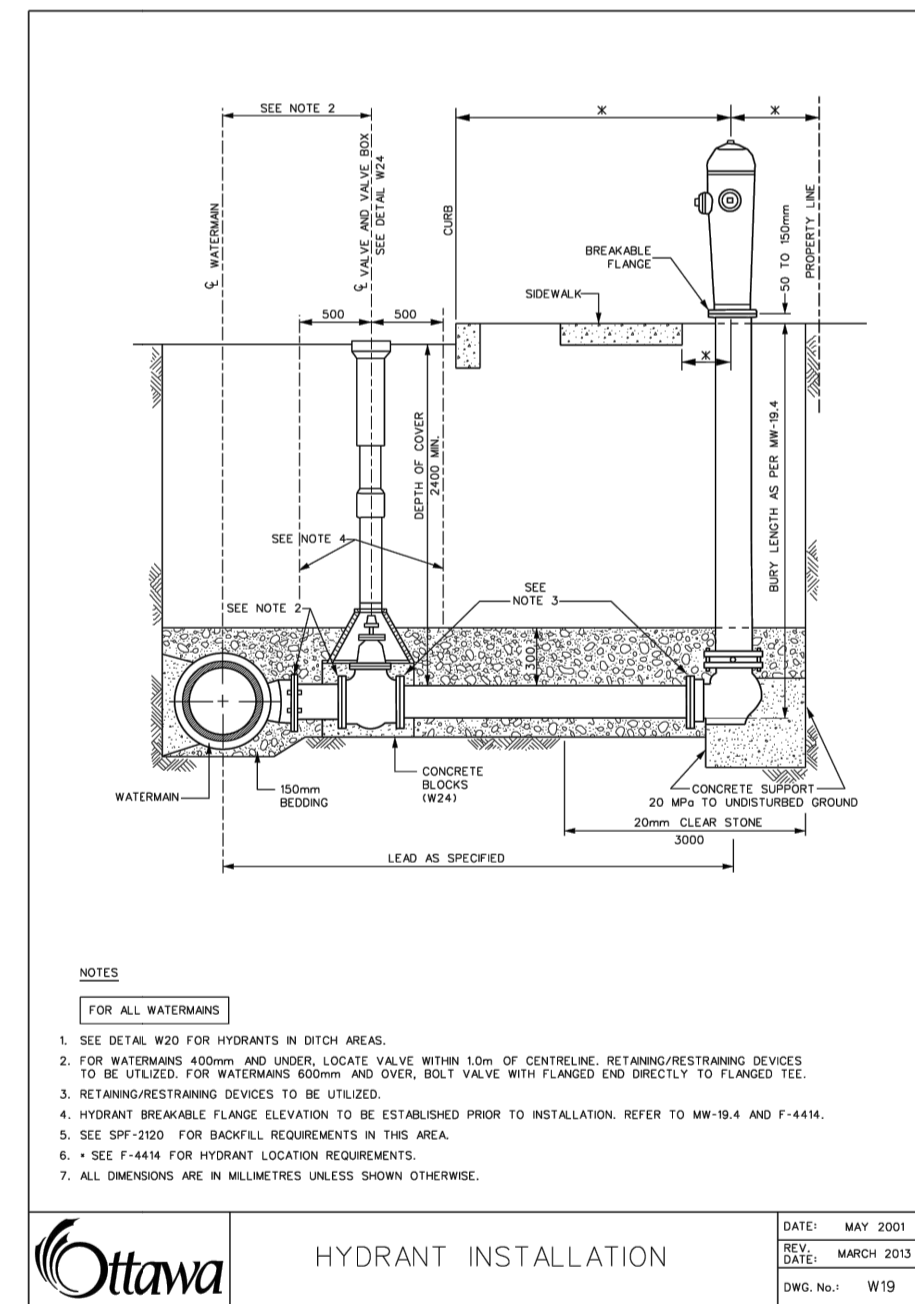
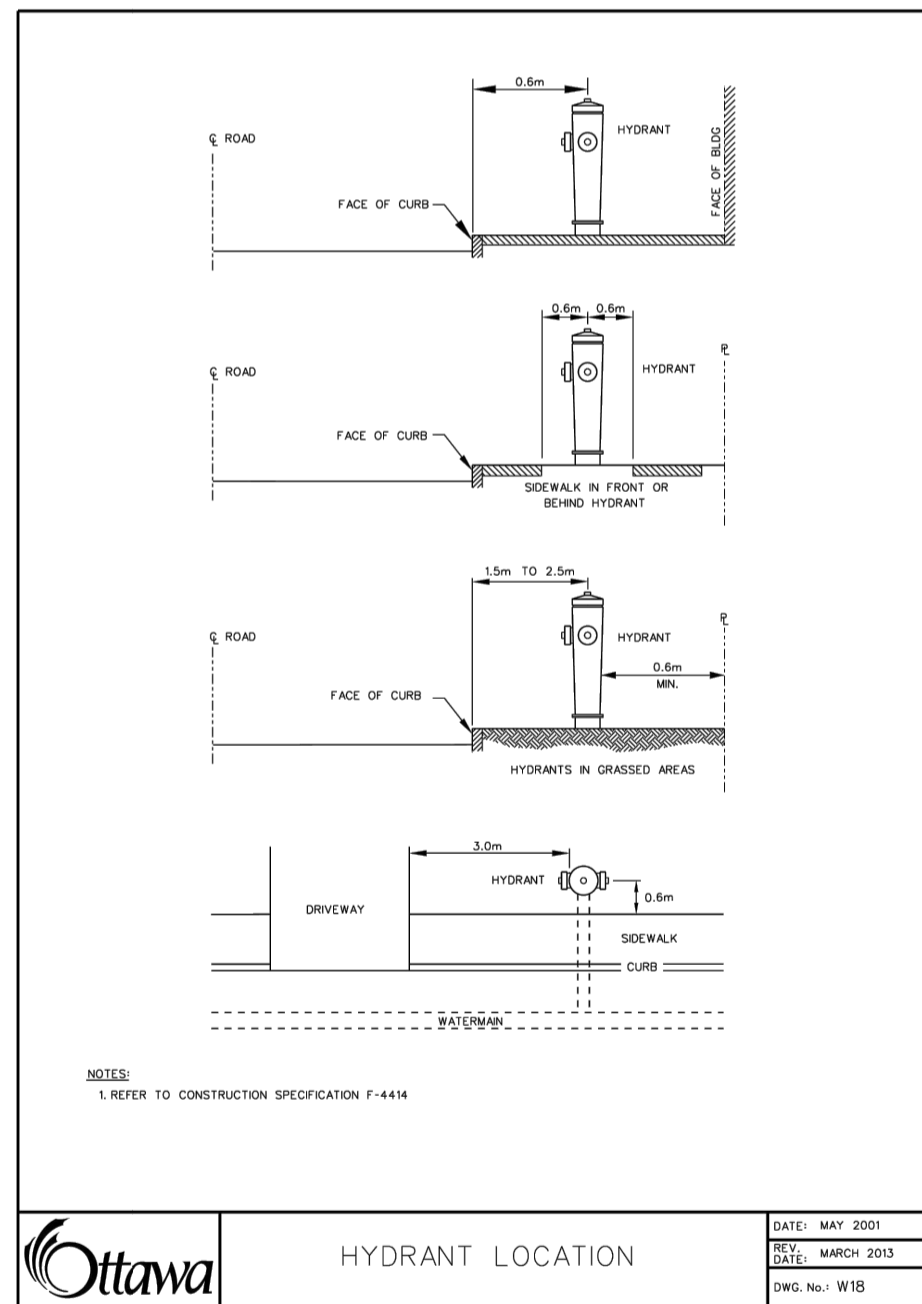
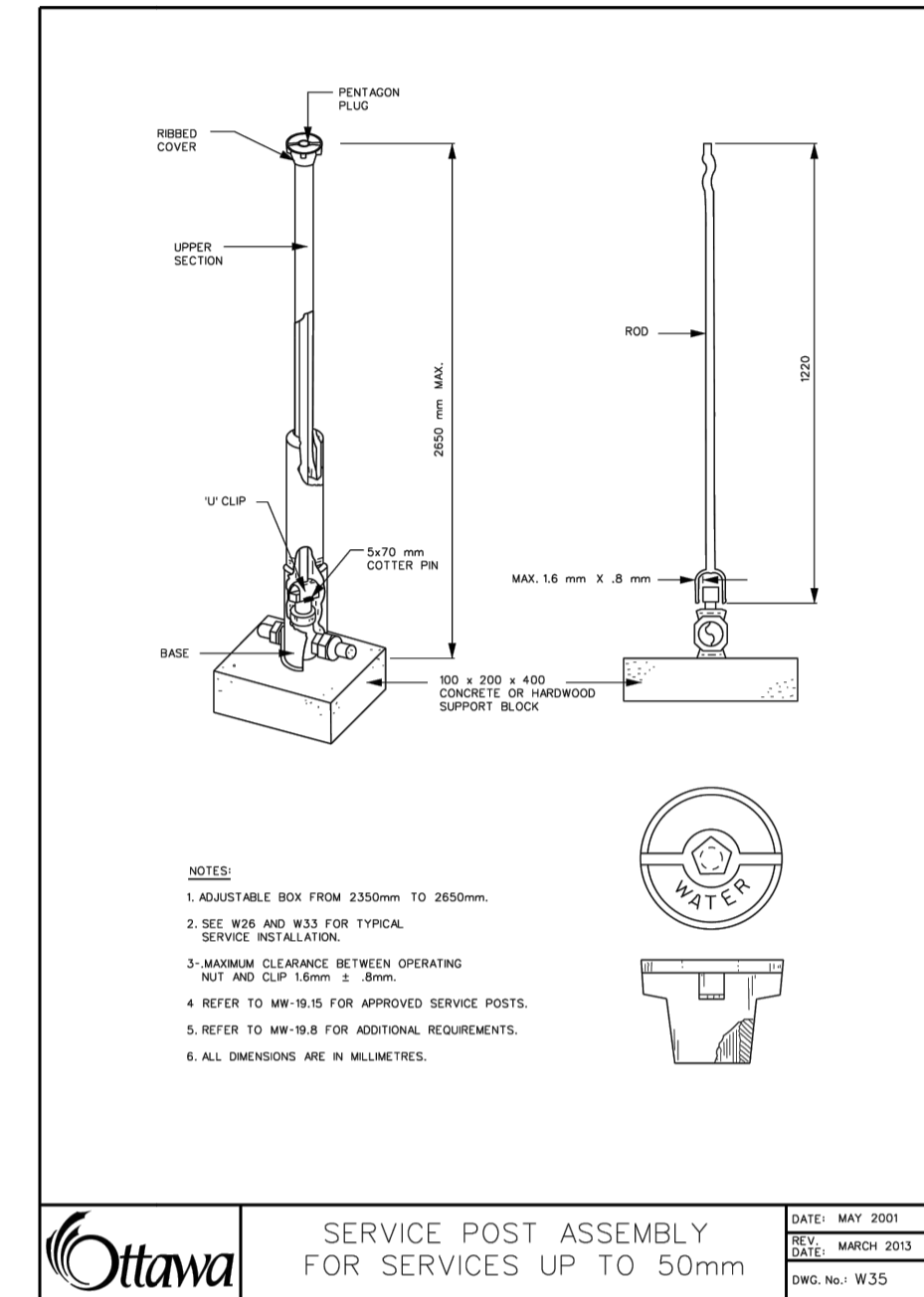
HEIGHT OF FILL TABLE
REINFORCED CONCRETE PIPE - CONFINED TRENCH
CLASS 50-D, 65-D, 100-D, and 140-D

PIPE DIA mm	BEDDING CLASS	CONFINED TRENCH			
		50-D	65-D	100-D	140-D
300	A	5.1	6.8	8.4	10.0
	B	2.9	4.7	6.3	7.9
375	A	6.0	7.7	9.3	10.9
	B	3.8	5.5	7.1	8.7
450	A	7.8	9.5	11.2	12.9
	B	5.6	7.3	9.0	10.7
525	A	9.6	11.3	13.0	14.7
	B	7.4	9.1	10.8	12.5
600	A	11.4	13.1	14.8	16.5
	B	9.2	10.9	12.6	14.3
675	A	13.2	14.9	16.6	18.3
	B	11.0	12.7	14.4	16.1
750	A	15.0	16.7	18.4	20.1
	B	12.8	14.5	16.2	17.9
825	A	16.8	18.5	20.2	21.9
	B	14.6	16.3	18.0	19.7
900	A	18.6	20.3	22.0	23.7
	B	16.4	18.1	19.8	
975	A	20.4	22.1	23.8	25.5
	B	18.2	19.9	21.6	23.3
1050	A	22.2	23.9	25.6	27.3
	B	20.0	21.7	23.4	25.1
1200	A	27.0	28.7	30.4	32.1
	B	24.8	26.5	28.2	29.9
1350	A	31.8	33.5	35.2	36.9
	B	29.6	31.3	33.0	34.7
1500	A	36.6	38.3	40.0	41.7
	B	34.4	36.1	37.8	39.5
1650	A	41.4	43.1	44.8	46.5
	B	39.2	40.9	42.6	44.3
1800	A	46.2	47.9	49.6	51.3
	B	44.0	45.7	47.4	49.1

LEGEND:
NL = No Limit

NOTES:
A Height of fill is measured from the finished surface to top of pipe.
B The load factor used for the calculation of the working bedding factor is: Class A bedding=2.0, Class B bedding=1.5, and Class C bedding=1.0.
C The excavation width is based on OPSD 802.030 and is the width of the excavation measured at the top of the pipe.
D Minimum height of fill over top of pipe shall be 600mm.
E Strength designations are 50-D, 65-D, 100-D, and 140-D according to CSA A25.2.
F The table is based on specific gravity of 1900 kg/m³.
G For confined trench K₁=0.130.
H Conditions other than those indicated shall be calculated from first principles.
I All dimensions are in metres unless otherwise shown.

DATE:	MAY 2001
REV.:	MARCH 2013
DATE:	MARCH 2013
REV.:	W19



USE AND INTERPRETATION OF DRAWINGS

GENERAL CONDITIONS OF THE CONTRACT FOR CONSTRUCTION ARE PART OF THE CONTRACT DOCUMENTS AND DESCRIBE USE AND INTENT OF THE DRAWING. THE CONTRACT DOCUMENTS INCLUDE NOT ONLY THE DRAWINGS, BUT ALSO THE OWNER-CONTRACTOR AGREEMENTS, CONDITIONS OF THE CONTRACT, THE SPECIFICATIONS, ADDENDA, AND MODIFICATIONS ISSUED AFTER EXECUTION OF THE CONTRACT. THESE CONTRACT DOCUMENTS ARE COMPLEMENTARY, AND WHAT IS REQUIRED BY ANY ONE SHALL BE BINDING AS REQUIRED BY ALL. WORK NOT COMPLETELY DELINEATED HEREON SHALL BE CONSTRUCTED OF THE SAME MATERIALS AND DETAILED SIMILARLY AS WORK SHOWN MORE COMPLETELY ELSEWHERE IN THE CONTRACT DOCUMENTS.

BY USE OF THE DRAWINGS FOR CONSTRUCTION OF THE PROJECT, THE OWNER CONFIRMS THAT HE HAS REVIEWED AND APPROVED THE DRAWINGS. THE CONTRACTOR CONFIRMS THAT HE HAS VISITED THE SITE, FAMILIARIZED HIMSELF WITH THE LOCAL CONDITIONS, VERIFIED FIELD DIMENSIONS AND CORRELATED HIS OBSERVATIONS WITH THE REQUIREMENTS OF THE CONTRACT DOCUMENTS.

AS INSTRUMENTS OF SERVICE, ALL DRAWINGS, SPECIFICATIONS, CADD FILES OR OTHER ELECTRONIC MEDIA AND COPIES THERE OF FURNISHED BY THE ENGINEER ARE HIS PROPERTY. THEY ARE TO BE USED ONLY FOR THIS PROJECT AND ARE NOT TO BE USED ON ANY OTHER PROJECT, INCLUDING REPEATS OF THE PROJECT. CHANGES TO THE DRAWINGS MAY ONLY BE MADE BY THE ENGINEER.

UNLESS THE REVISION TITLE IS "ISSUED FOR CONSTRUCTION", THESE DRAWINGS SHALL BE CONSIDERED PRELIMINARY AND SHALL NOT BE USED AS A CONSTRUCTION DOCUMENT.

THESE DRAWINGS ILLUSTRATE THE WORK TO BE DONE. THE ENGINEER IS NOT RESPONSIBLE FOR THE MEANS, METHODS, TECHNIQUES, SEQUENCES, AND PROCEDURES USED TO DO THE WORK, OR THE SAFETY ASPECTS OF CONSTRUCTION, AND NOTHING ON THESE DRAWINGS EXPRESSED OR IMPLIED CHANGES THIS CONDITION. CONTRACTOR SHALL DETERMINE ALL CONDITIONS AT THE SITE AND SHALL BE RESPONSIBLE FOR KNOWING HOW THEY AFFECT THE WORK. SUBMITTAL OF A BID TO PERFORM THIS WORK IS ACKNOWLEDGEMENT OF THE RESPONSIBILITIES, AND THAT THEY HAVE BEEN FULLY CONSIDERED IN PLANNING OF THE WORK, AND THE BID PRICE. NO CLAIMS FOR EXTRA CHARGES DUE TO THESE CONDITIONS WILL BE FORTHCOMING.

UNAUTHORIZED CHANGES:

IN THE EVENT THE CLIENT, THE CLIENT'S CONTRACTORS OR SUBCONTRACTORS, OR ANYONE FOR WHOM THE CLIENT IS LEGALLY LIABLE MAKES OR PERMITS TO BE MADE ANY CHANGES TO ANY REPORTS, PLANS, SPECIFICATIONS OR OTHER CONSTRUCTION DOCUMENTS PREPARED BY LRL ASSOCIATES LTD. (LRL) WITHOUT OBTAINING LRL'S PRIOR WRITTEN CONSENT, THE CLIENT SHALL ASSUME FULL RESPONSIBILITY FOR THE RESULTS OF SUCH CHANGES. THEREFORE THE CLIENT AGREES TO WAIVE ANY CLAIM AGAINST LRL AND TO RELEASE LRL FROM ANY LIABILITY ARISING DIRECTLY OR INDIRECTLY FROM SUCH UNAUTHORIZED CHANGES.

IN ADDITION, THE CLIENT AGREES TO THE FULLEST EXTENT PERMITTED BY LAW, TO INDEMNIFY AND HOLD HARMLESS LRL FROM ANY DAMAGES, LIABILITIES OR COST, INCLUDING REASONABLE ATTORNEY'S FEES AND COST OF DEFENSE, ARISING FROM SUCH CHANGES.

GENERAL NOTES:

EXISTING SERVICES AND UTILITIES SHOWN ON THESE DRAWINGS ARE TAKEN FROM THE BEST AVAILABLE RECORDS, BUT MAY NOT BE COMPLETE OR TO DATE. CONTRACTOR SHALL VERIFY IN FIELD FOR LOCATION AND ELEVATION OF PIPES AND CHECK WITH THE UTILITY COMPANIES BEFORE DIGGING OR PERFORMING WORK.

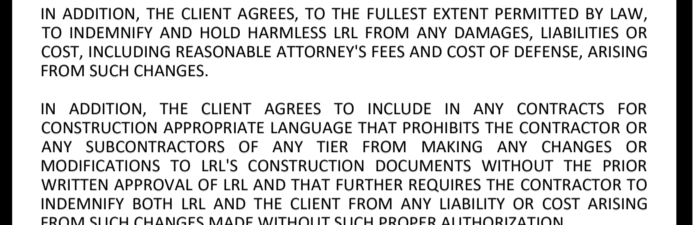
CONTRACTOR IS ADVISED TO COLLECT INFORMATION ON SOIL CONDITIONS BEFORE START OF CONSTRUCTION.

THE ENGINEER WAIVES ANY AND ALL RESPONSIBILITY AND LIABILITY FOR PROBLEMS WHICH ARISE FROM FAILURE TO FOLLOW THESE PLANS, SPECIFICATIONS AND THE DESIGN INTENT THEY CONVEY, OR FOR PROBLEMS WHICH ARISE FROM OTHERS' FAILURE TO OBTAIN AND/OR FOLLOW THE ENGINEER'S GUIDANCE WITH RESPECT TO ANY ERRORS, OMISSIONS, INCONSISTENCIES AMBIGUITIES OR CONFLICTS WHICH ARE ALLEGED.

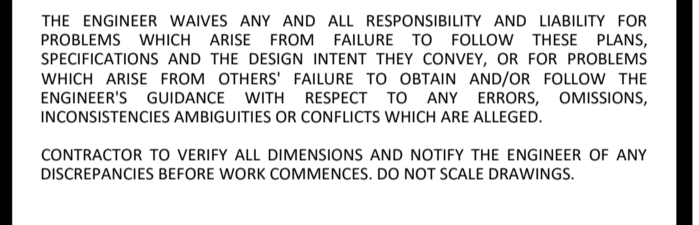
CONTRACTOR TO VERIFY ALL DIMENSIONS AND NOTIFY THE ENGINEER OF ANY DISCREPANCIES BEFORE WORK COMMENCES. DO NOT SCALE DRAWINGS.

05	RE-ISSUED FOR APPROVAL	S.V.	30 JAN 2026
04	RE-ISSUED FOR APPROVAL	S.V.	28 NOV 2025
03	RE-ISSUED FOR APPROVAL	S.V.	26 JUN 2025
02	RE-ISSUED FOR APPROVAL	S.V.	26 FEB 2025
01	ISSUED FOR APPROVAL	S.V.	18 DEC 2024

No.	REVISIONS	BY	DATE
-----	-----------	----	------



NOT AUTHENTIC UNLESS SIGNED AND DATED



LRL
ENGINEERING | INGÉNIERIE
5430 Canotek Road 1 Ottawa, ON, K1J 9G2
www.lrl.ca | (613) 842-3434

CLIENT
PATRICE HOULE HOLDING INC.

DESIGNED BY: S.V. DRAWN BY: S.V. APPROVED BY: V.J.

PROJECT
524 LACOLLE WAY, OTTAWA, ON

DRAWING TITLE
CONSTRUCTION DETAIL PLAN

PROJECT NO.
240203

DATE
SEPTEMBER 2024

C902

PLAN NUMBER: 16735

PROJECT NO.
240203

DATE
SEPTEMBER 2024

C902