

4

3

2

1

NOTES:

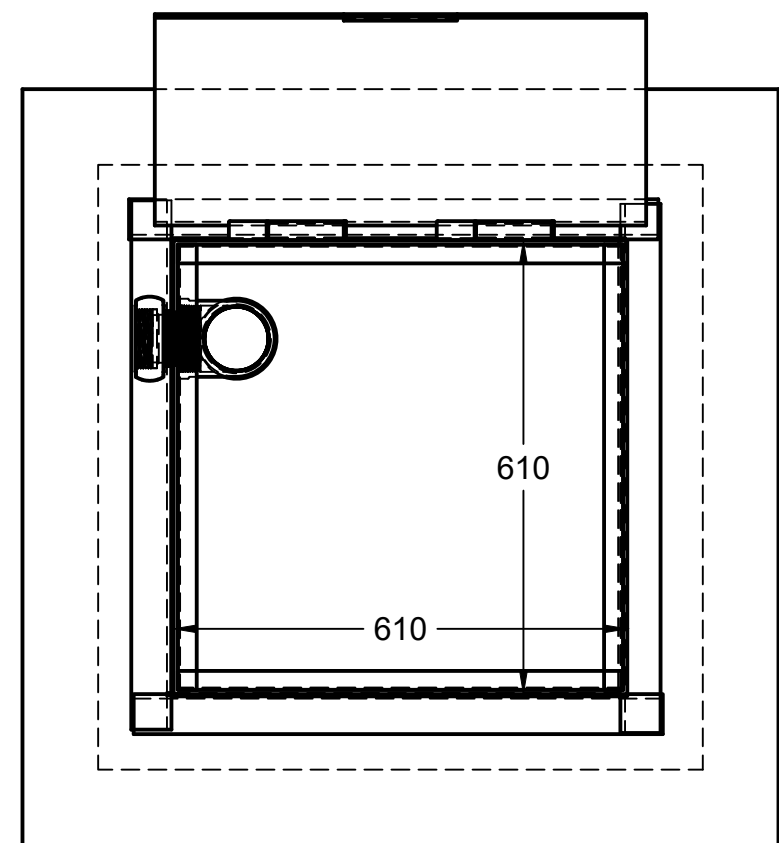
ALL STEEL PLATE 3mm

PAINT " SAFETY BLUE" TREMCLAD MEDIUM BLUE

FILL PIPE FITTING: 100mm STORZ FITTING ON OUTER SIDE OF CHUTE c/w 90° ELBOW TO DIRECT WATER DOWNWARDS.

SUCTION PIPE: 150mm FEMALE DRY HYDRANT w/ PLUG AND 90° SCH40 PVC ELBOW. c/w U-BOLT AND U-CHANNEL TRACK FOR MOUNTING ON LEDGE OF CHUTE

OVERALL HEIGHT OF CHUTE DEPENDANT ON LOCATION UP TO A MAX HEIGHT OF 1727mm. TOP OF CHUTE SHALL NOT EXCEED 508MM ABOVE GRADE.



FIRE FITTING - 100mm STORZ FITTING ON OUTER SIDE OF WATER CHUTE MIN 300mm ABOVE GRADE

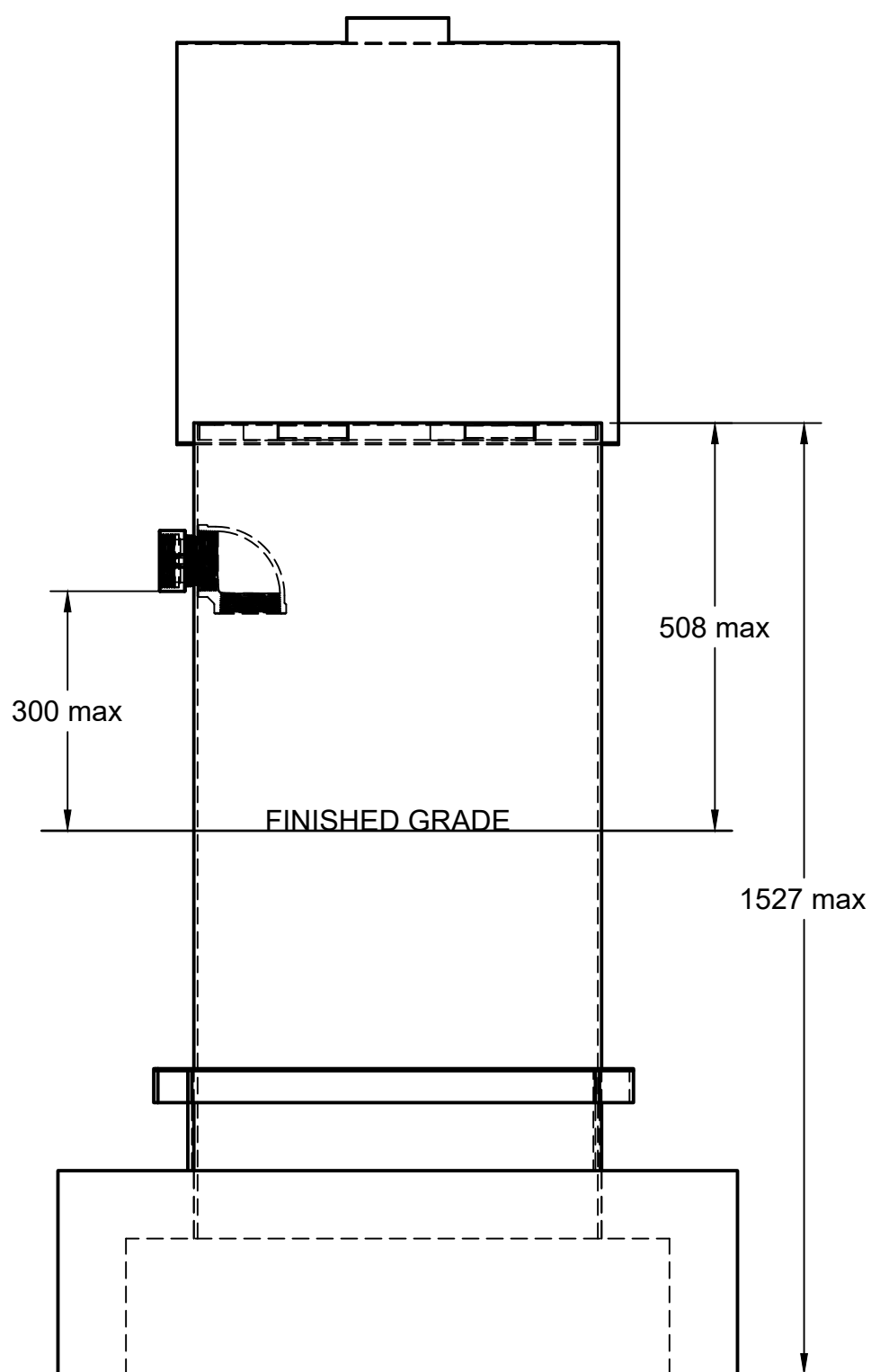
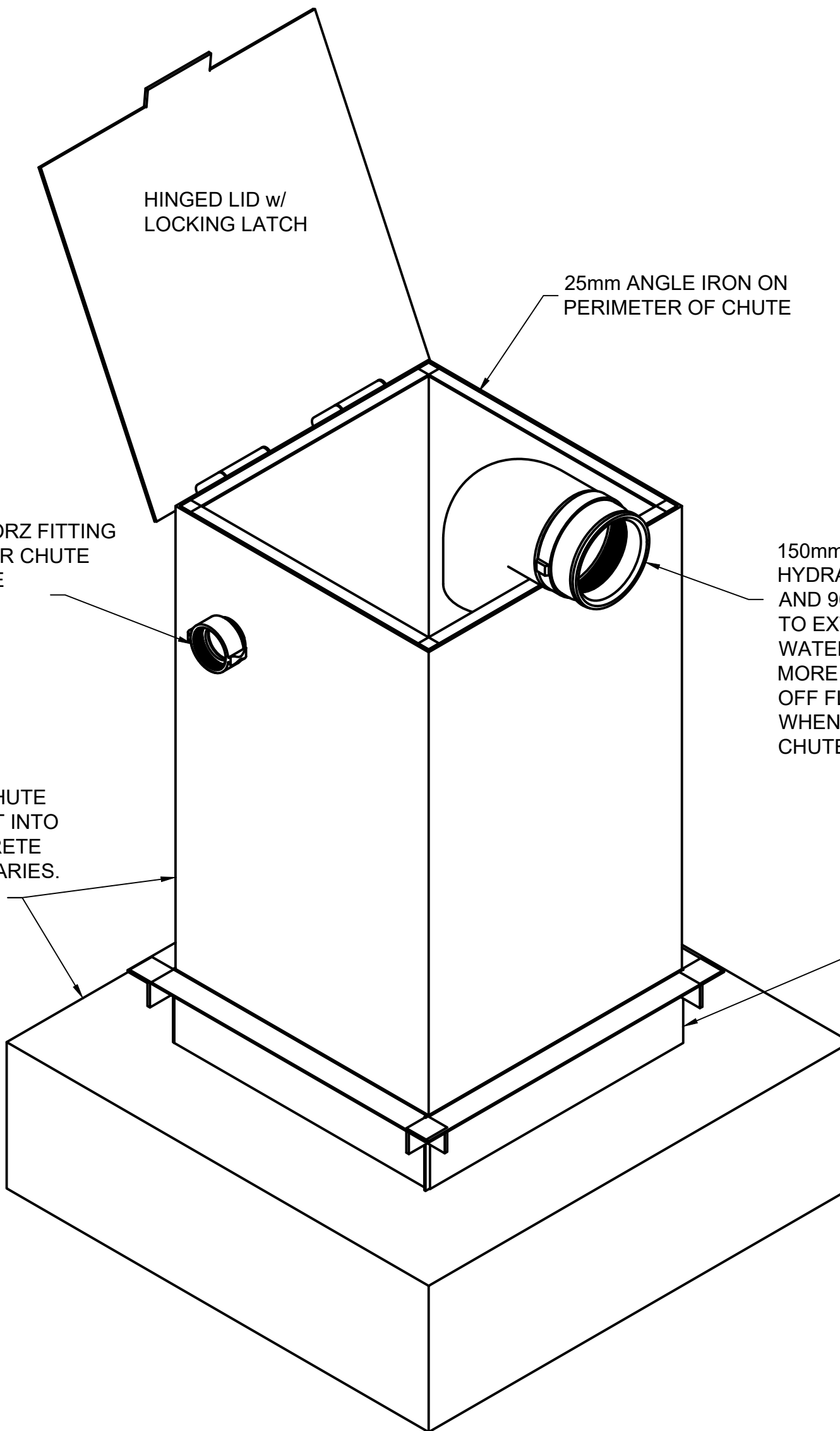
HINGED LID w/ LOCKING LATCH

25mm ANGLE IRON ON PERIMETER OF CHUTE

150mm FEMALE DRY HYDRANT W/ PLUG AND 90° SCH40 PIPE TO EXTEND INTO WATERLEVEL TO NO MORE THEN 300mm OFF FLOOR OF TANK WHEN INSTALLED ON CHUTE.

610X610 STEEL CHUTE INTEGRALLY CAST INTO 1270X1170 CONCRETE RISER. HEIGHT VARIES.

BOTTOM 150mm OF CHUTE IS DOUBLE WALL WITH 50mmX50mm ANGLE IRON ON TOP.



5450 Cuddy St Osgoode, ON K0A 2W0
 tel: (613) 826.2318 fax: (613) 826.3679
 toll free: 888.846.6664
 website: www.boydbrosconcrete.ca
 email: info@boydbrosconcrete.ca

PROJECT
FIRE CHUTE
 TITLE
Fire Chute - City of Ottawa

DRAWN Rob Sanna 6/20/19 APPROVED		
SIZE C	DWG NAME FIRE CHUTE - CITY OF OTTAWA	REV 1
SCALE 1:10	WEIGHT	SHEET 1/1

4

3

2

1