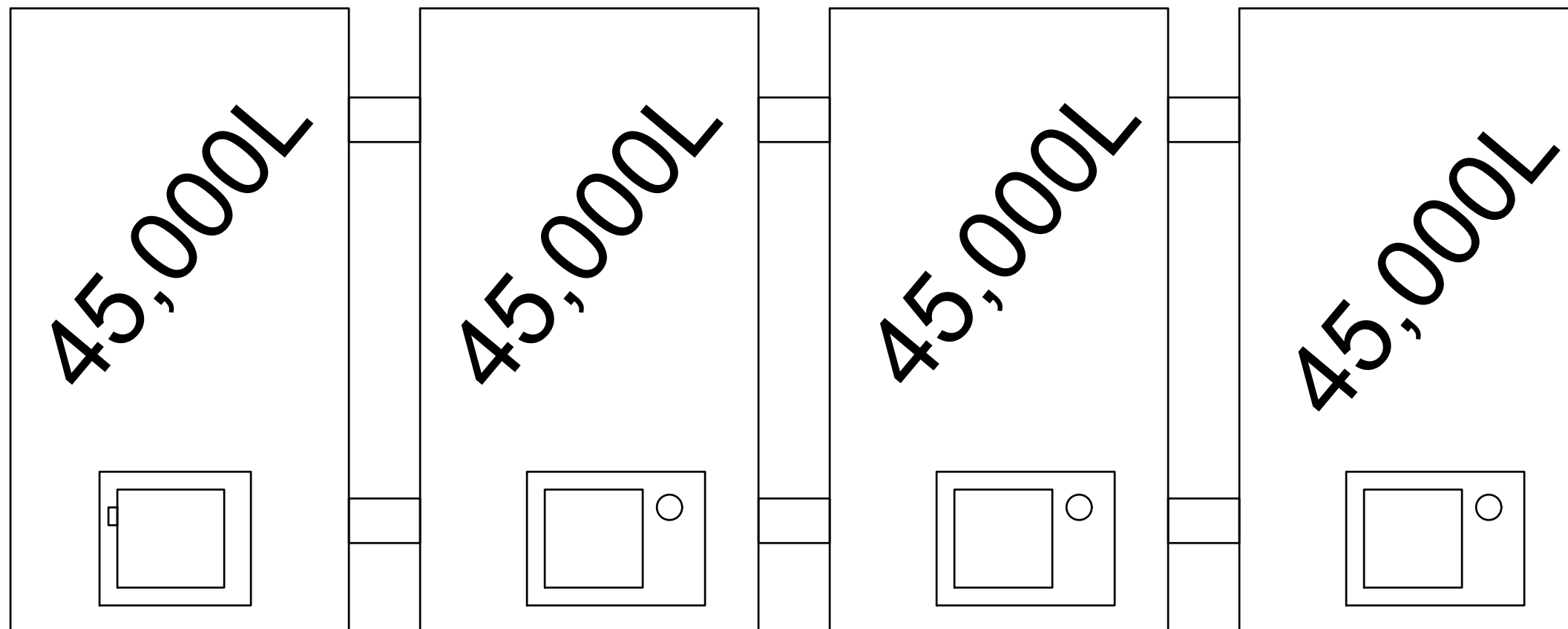
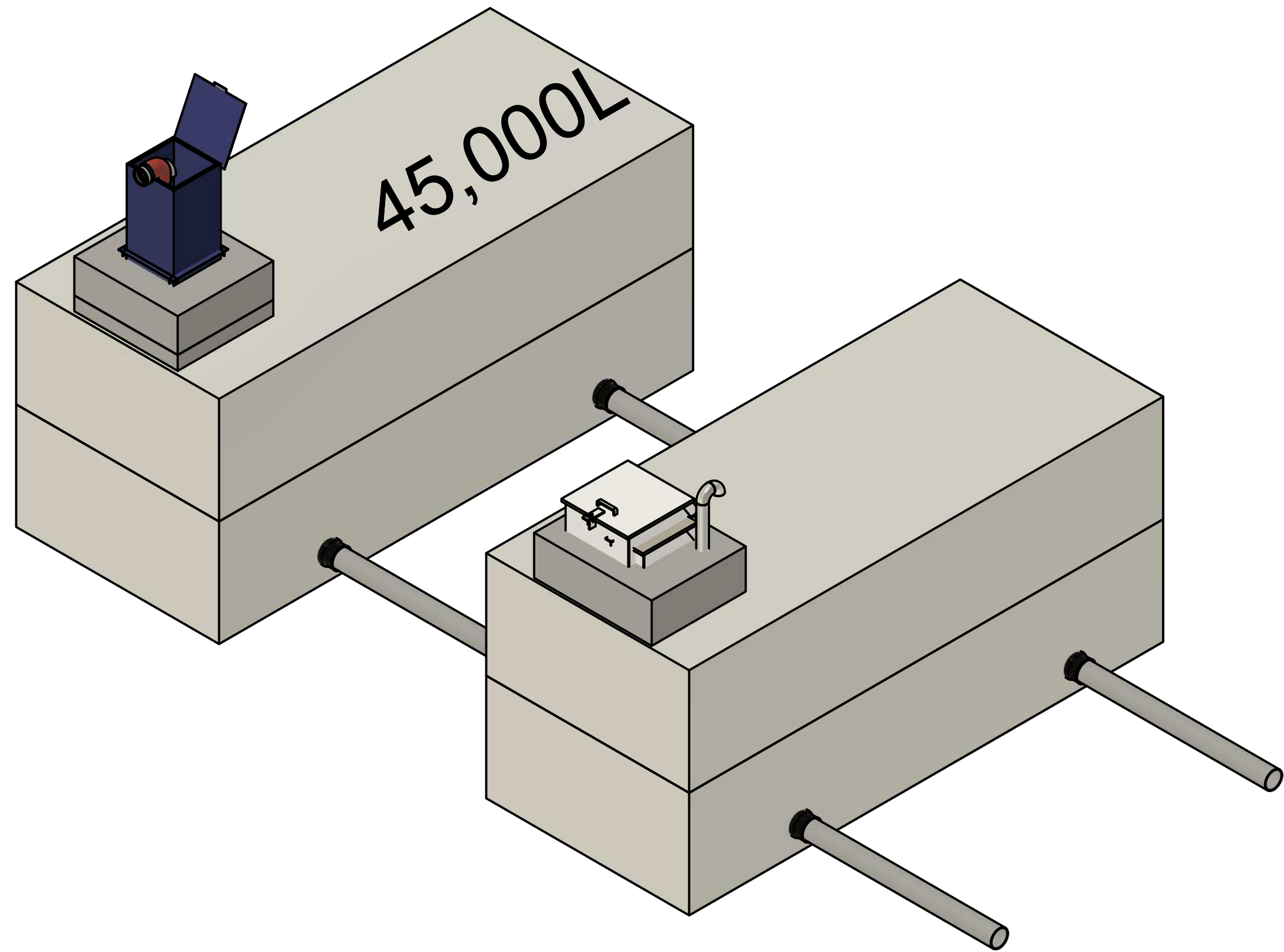


TYPICAL TANK INTERCONNECTION



5450 Cuddy St Osgoode, ON K0A 2W0
 tel: (613) 826.2318 fax: (613) 826.3679
 toll free: 888.846.6664
 website: www.boydbrosconcrete.ca
 email: info@boydbrosconcrete.ca

PROJECT
 Admin Project
 TITLE
 Fire Reservoir - Typical Install

DRAWN Rob Sanna 2/11/21 APPROVED		REV
SIZE C	DWG NAME	REV
SCALE 1:50	WEIGHT	SHEET 1/1