

4

3

2

1

TOTAL VOLUME: 45000L

CONCRETE: 35MPa WITH 5-8% AIR ENTRAINMENT
NON SULPHATE RESISTANT

REINFORCING: GRADE 400W CONFORMING TO CSA G30.18
15M @ 200mm ON CENTRE EACH WAY
ADDITIONAL 15M AROUND PERIMETER AT SEAM BETWEEN SECTIONS
15M x900mm ON DIAGONAL AT EACH CORNER OF LID OPENING

WEIGHT: TOP SECTION 17500KGS
BOTTOM SECTION 17500KGS
TOTAL 35000KGS

MAXIMUM BURIAL DEPTH: 1200MM OF GROUND COVER IN AREA OF
NON-VEHICULAR TRAFFIC

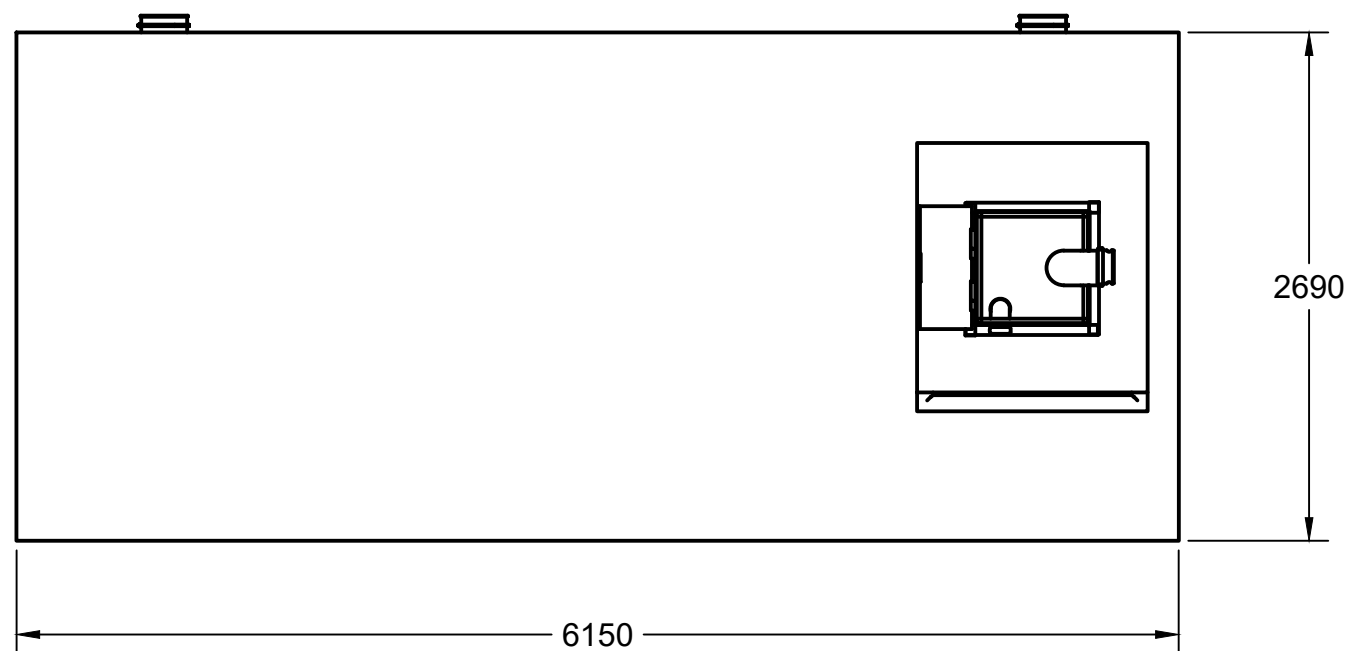
WATER TIGHTNESS: 2X ROWS CON-SEAL CS-102 MASTIC SEALANT BETWEEN
SECTIONS. SEALANT APPLIED ONSITE BY BOYD BROS CONCRETE ACCORDING TO
MANUFACTURER'S RECOMMENDED METHOD

PIPE/WALL CONNECTIONS: 200mmØ Flexible Rubber Bootseal for PVC Supply Line

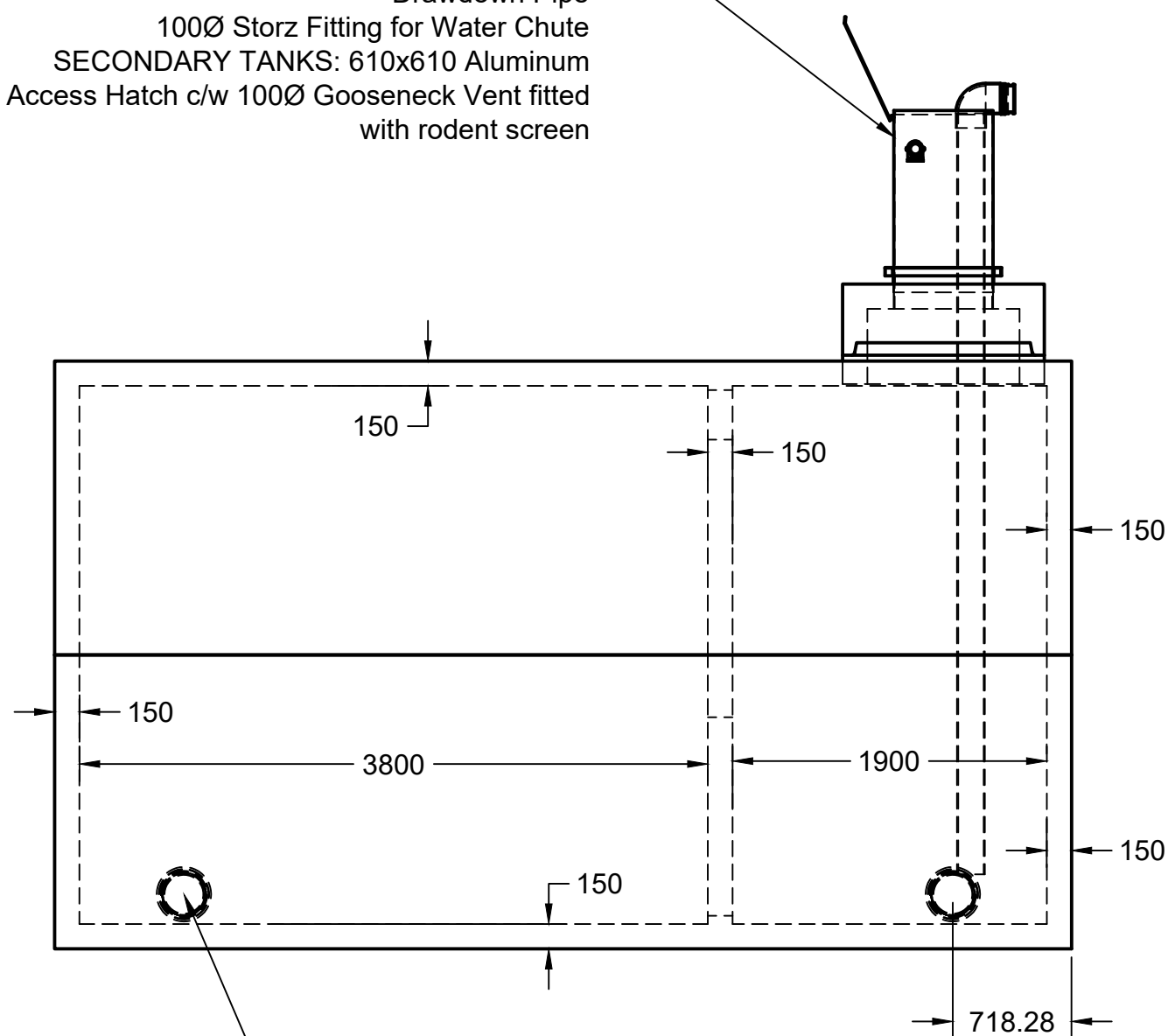
ACCESS OPENINGS:
PRIMARY TANK: 610x610 CITY OF OTTAWA SPEC FIRE CHUTE FOR FIRETRUCK
CONNECTION
SECONDARY ACCESS (OPTIONAL) :1200x1300 CAST-IN RISER FLANGE WITH 610X610
DRIP PROOF ALUMINUM ACCESS HATCH
900X1200 OPENING IN DIVIDER WALL FOR ACCESS TO BOTH CHAMBERS FROM ONE
ACCESS POINT

OPTIONAL STAINLESS STEEL BOLT-ON LADDER OPTIONAL

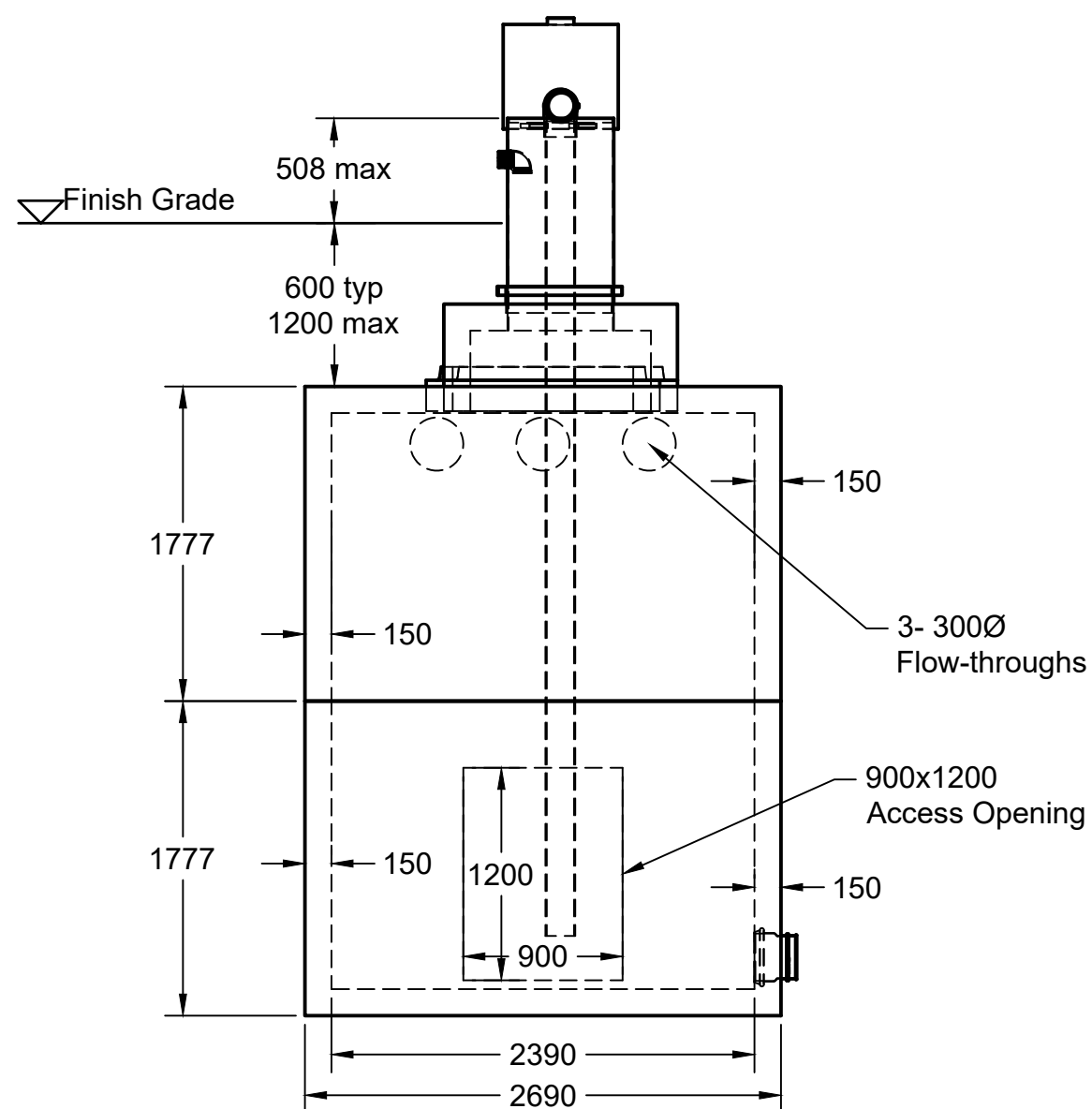
TANK DESIGN CONFORMS TO CSA STANDARD B66-15



PRIMARY TANK: 610x610 City of Ottawa Spec
Fire Chute w/ 150Ø Female Dry Hydrant and
Drawdown Pipe
100Ø Storz Fitting for Water Chute
SECONDARY TANKS: 610x610 Aluminum
Access Hatch c/w 100Ø Gooseneck Vent fitted
with rodent screen



2- 200Ø Interconnection Bootseals
For Multiple Tank Cluster Systems



5450 Cuddy St Osgoode, ON K0A 2W0
tel: (613) 826.2318 fax: (613) 826.3679
toll free: 888.846.6664
website: www.boydbrosconcrete.ca
email: info@boydbrosconcrete.ca

PROJECT		
Boyd Bros Concrete		
TITLE		
45000 Fire Tank		
DRAWN Rob Sanna 6/19/23 APPROVED		
SIZE	DWG NAME	REV
C	45000 Fire Tank	2
SCALE 1:40	WEIGHT 35000kgs	SHEET 1/1

4

3

2

1