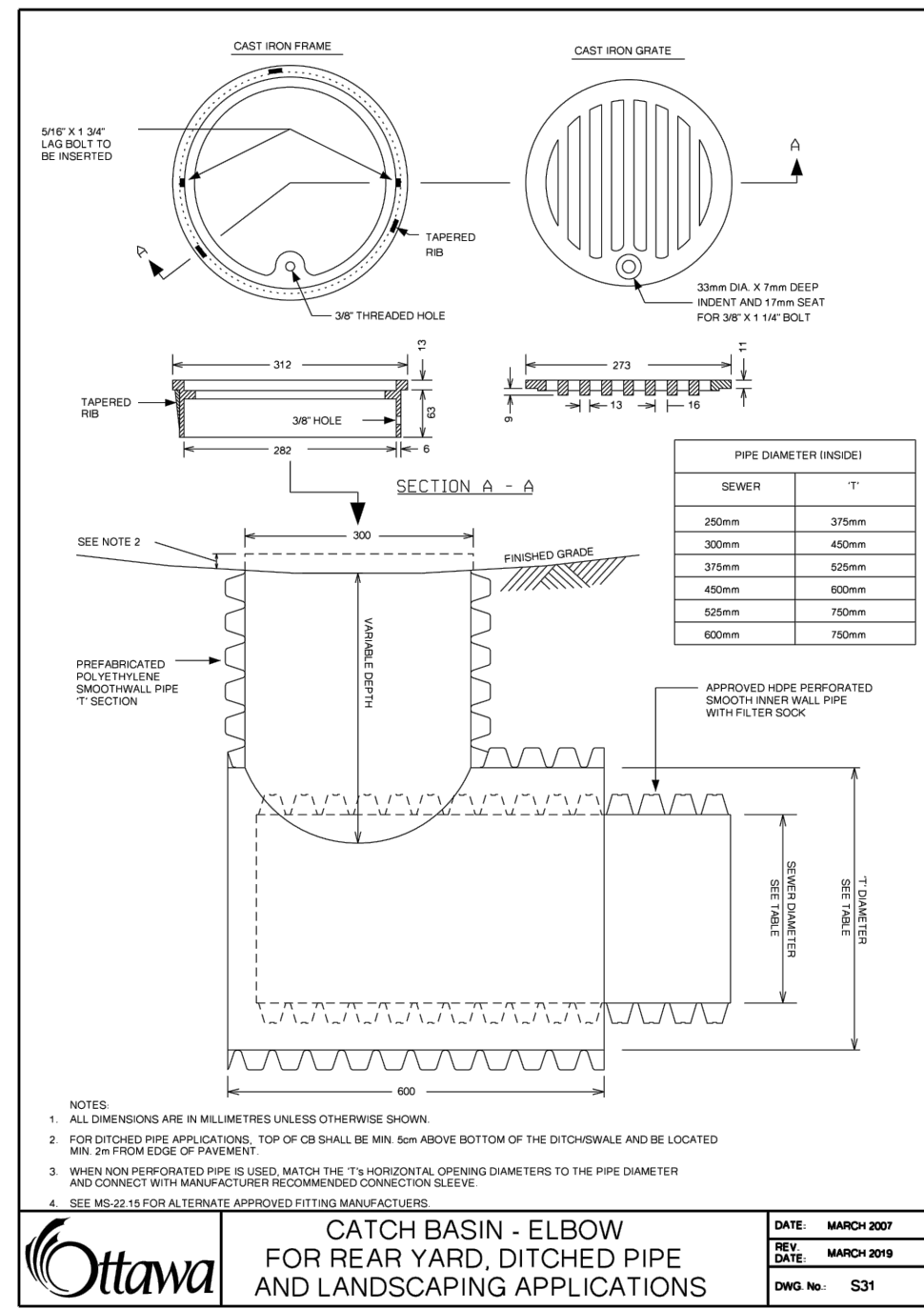
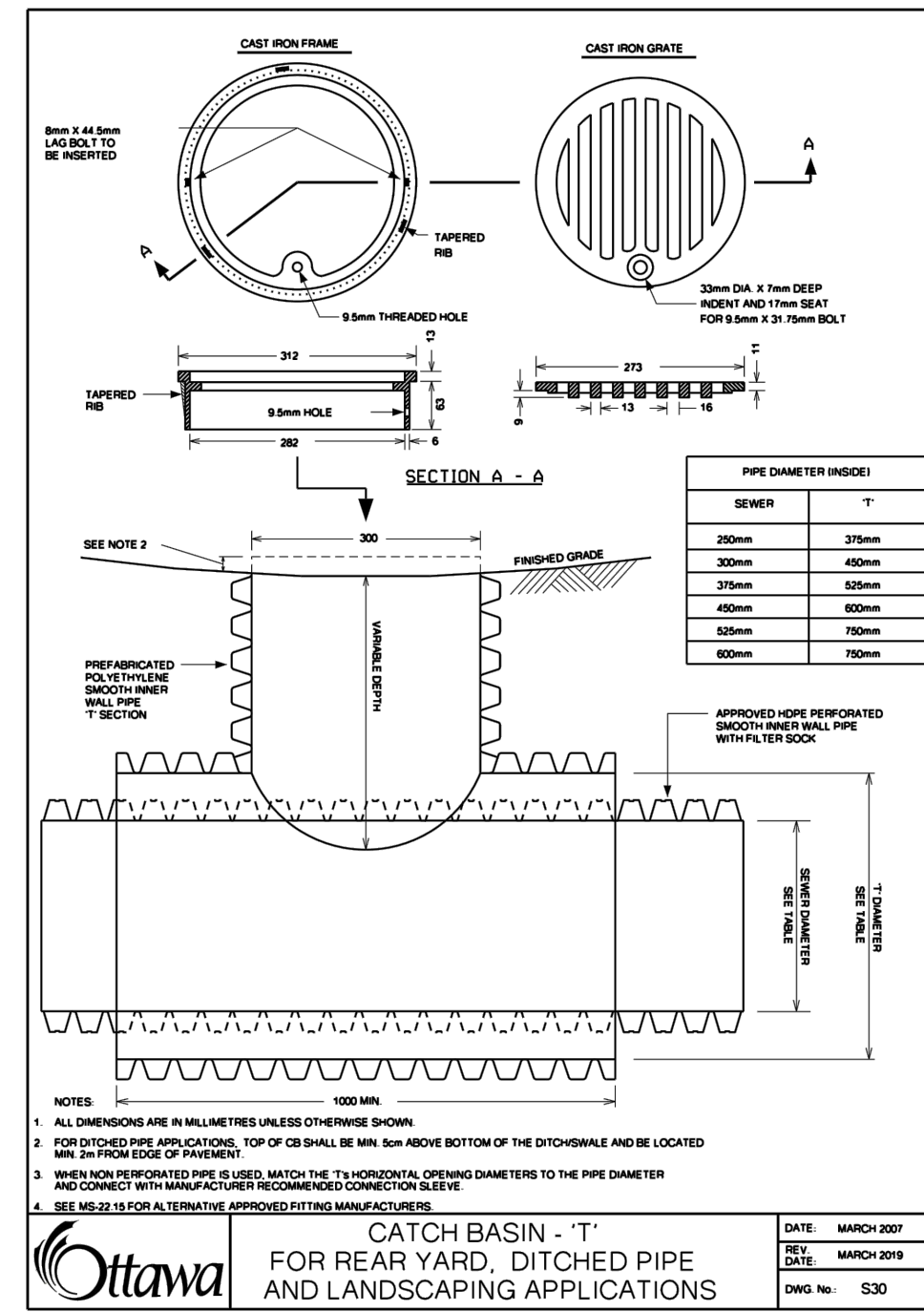
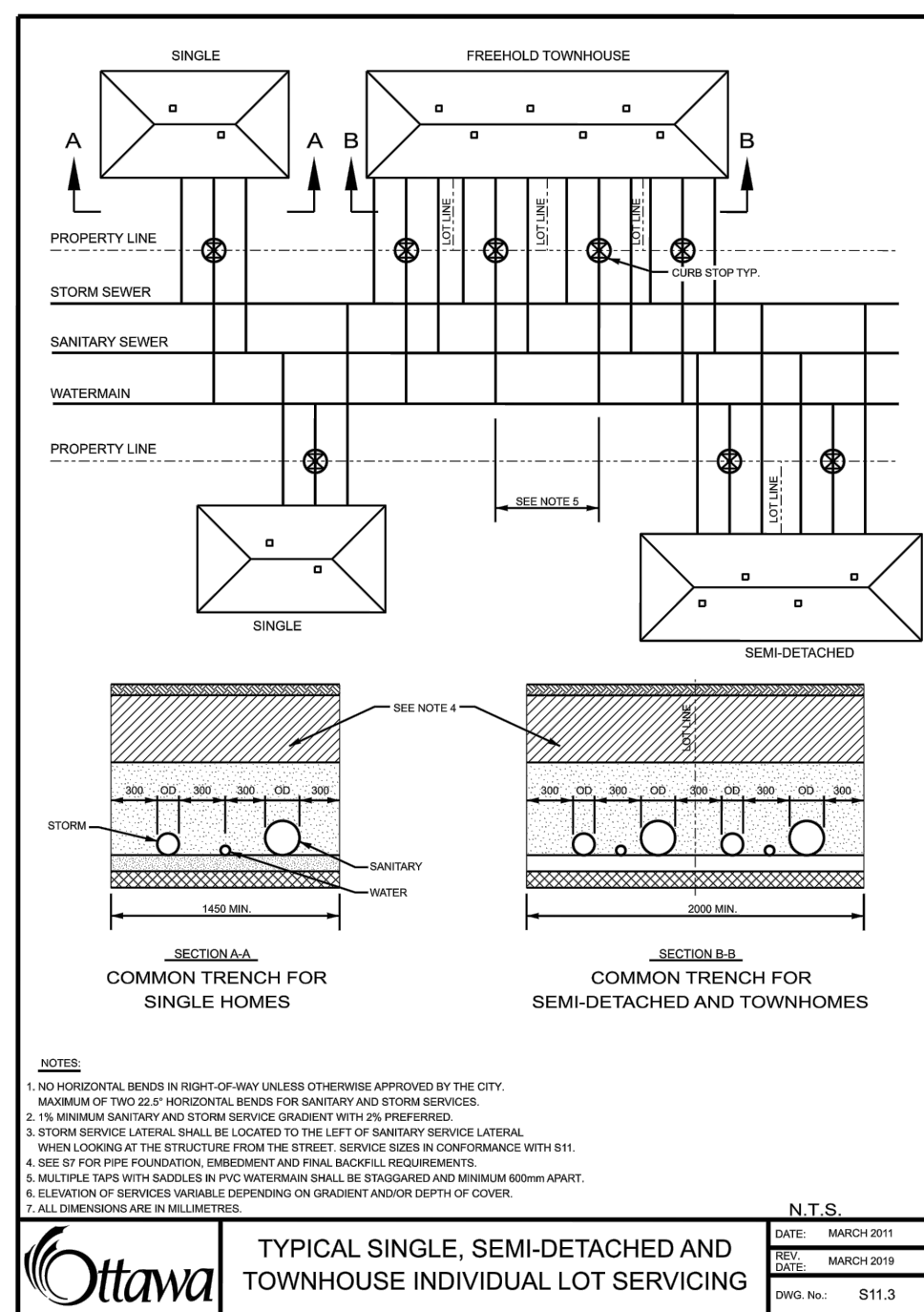
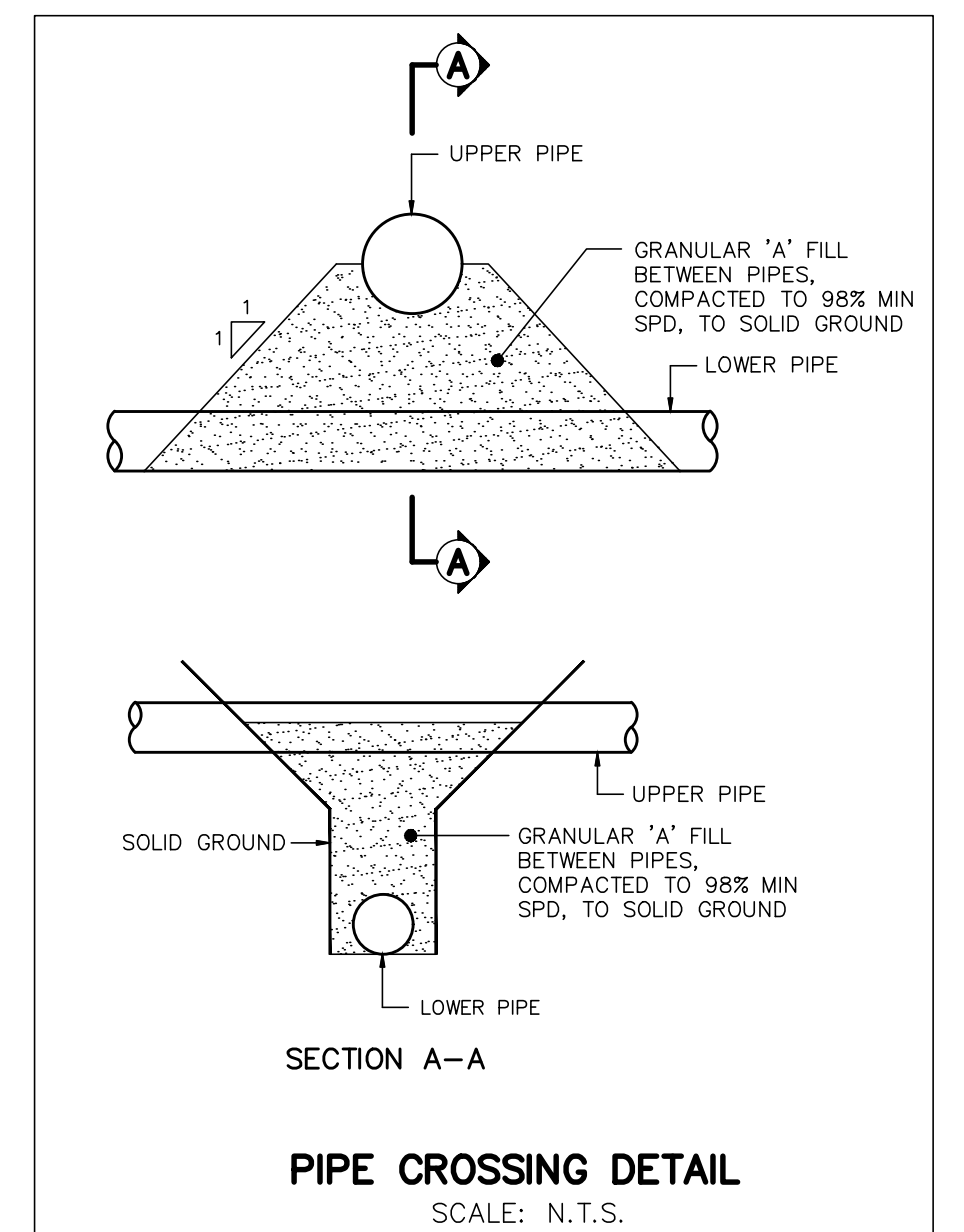
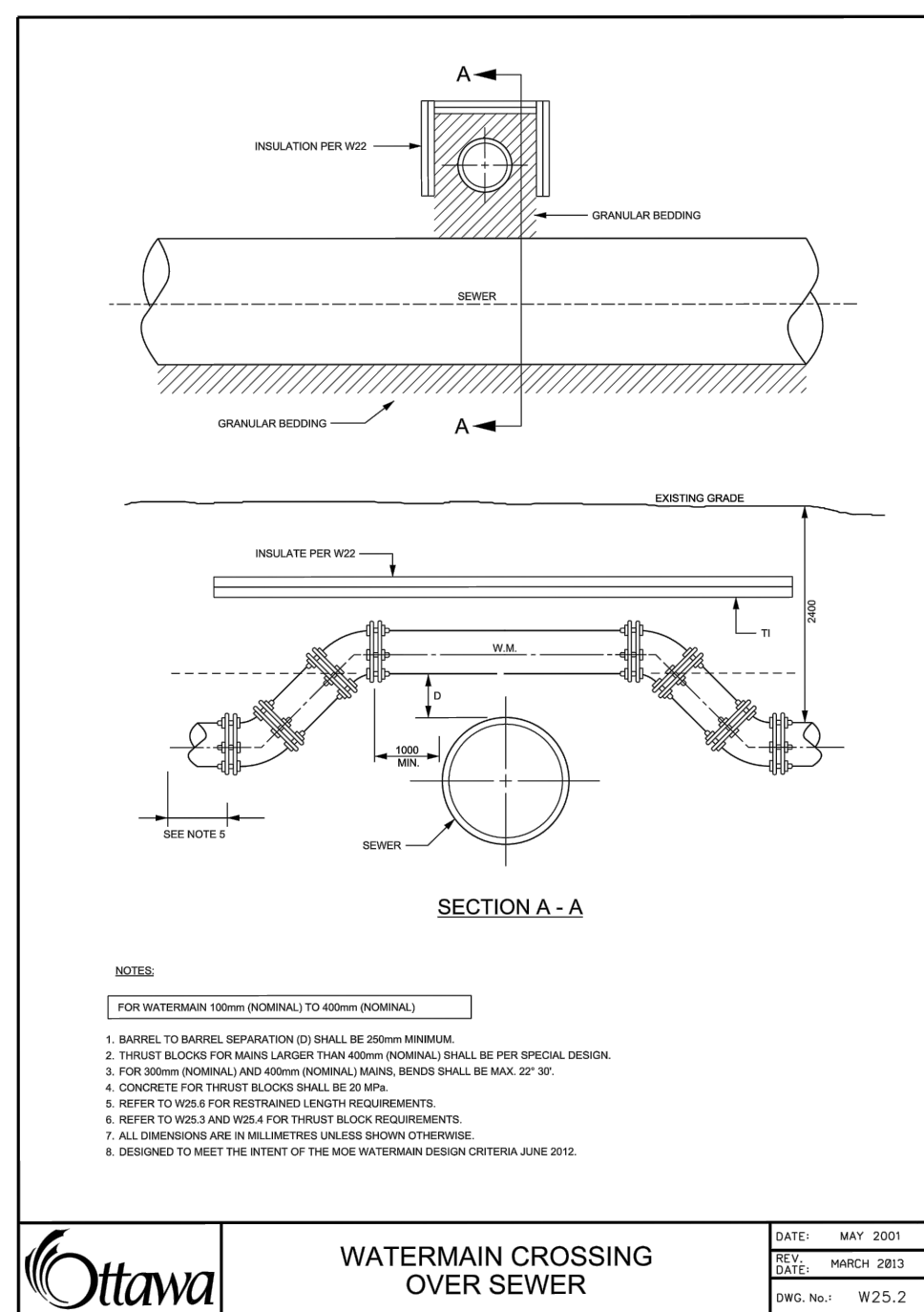
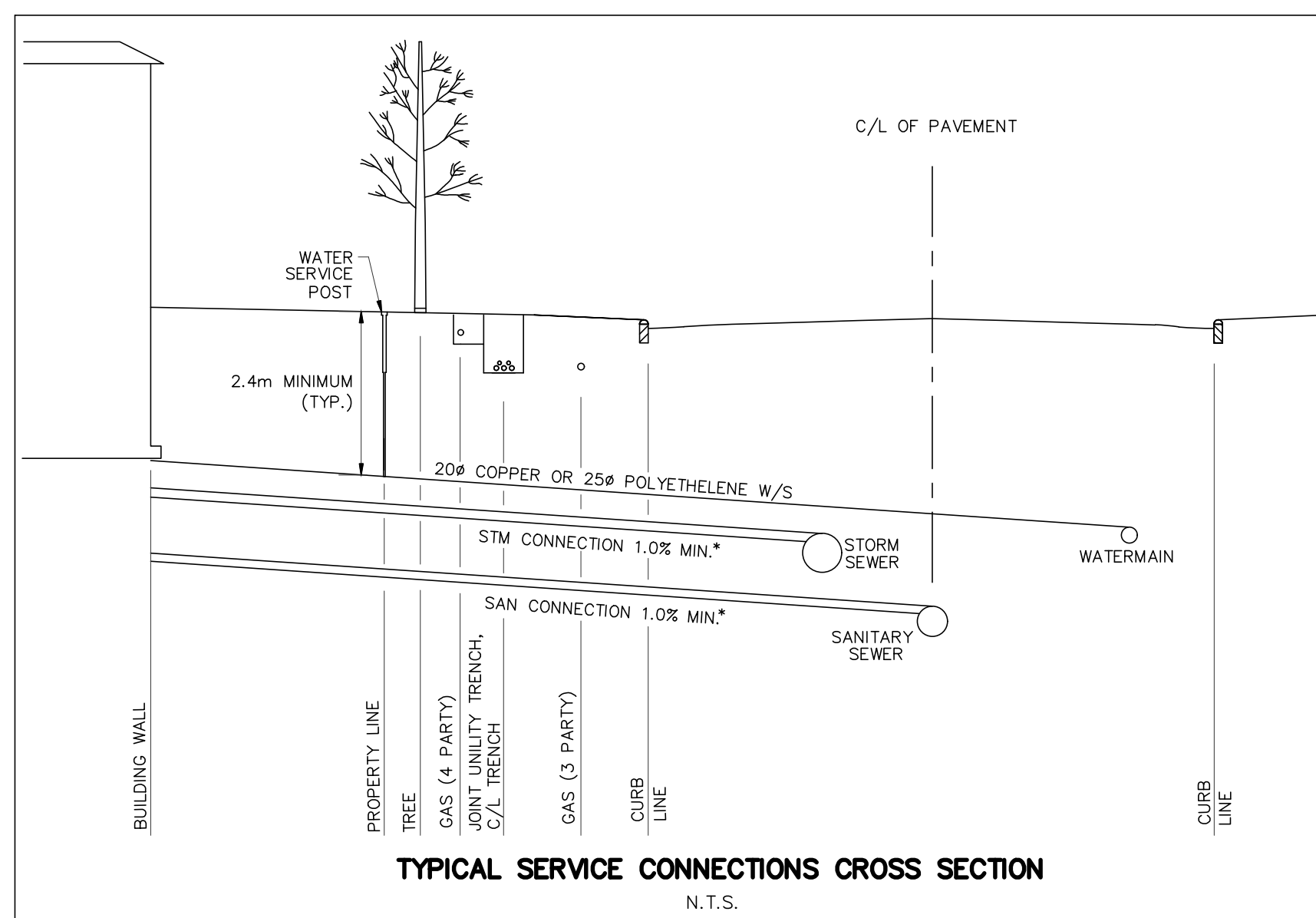


RE: PAVEMENT DESIGN
 FOR PAVEMENT STRUCTURAL DESIGN,
 REFER TO GEOTECHNICAL
 INVESTIGATION 3432 GREENBANK
 ROAD PREPARED BY PATERSON
 GROUP DATED AUGUST 27, 2021



STREET NAME	CATCH BASIN ID	OUTLET PIPE		TOP OF GRATE	GRATING COVER	INVERT	
		DIAM. (mm)	LENGTH (m)			INLET	OUTLET
FUT. CHAPMAN MILLS	CB 1	200	PVC 1.40	1.38	94.18	S19 PERFORATED	- 92.80
FUT. CHAPMAN MILLS	CB 2	200	PVC 5.70	1.38	95.56	S19 PERFORATED	- 94.18
RIOCAN AVENUE	CB 3	200	PVC 1.20	1.38	97.74	S19 PERFORATED	- 96.36
RIOCAN AVENUE	CB 4	200	PVC 5.30	1.38	97.74	S19 PERFORATED	- 96.36
RIOCAN AVENUE	CB 5	200	PVC 1.30	1.38	99.01	S19 PERFORATED	- 97.63
RIOCAN AVENUE	CB 6	200	PVC 5.30	1.38	99.03	S19 PERFORATED	- 97.65
RIOCAN AVENUE	CB 7	200	PVC 3.20	1.38	100.81	S19 PERFORATED	- 99.43
RIOCAN AVENUE	CB 8	200	PVC 6.10	1.38	100.82	S19 PERFORATED	- 99.44
GLENROY GILBERT DRIVE	CB 9	200	PVC 1.30	1.38	100.05	S19 PERFORATED	- 98.67
GLENROY GILBERT DRIVE	CB 10	200	PVC 5.30	1.38	100.05	S19 PERFORATED	- 98.67
GLENROY GILBERT DRIVE	CB 11	200	PVC 1.30	1.38	100.21	S19 PERFORATED	- 98.83
GLENROY GILBERT DRIVE	CB 12	200	PVC 5.30	1.38	100.21	S19 PERFORATED	- 98.83
GLENROY GILBERT DRIVE	CB 13	200	PVC 1.40	1.38	99.91	S19 PERFORATED	- 98.53
GLENROY GILBERT DRIVE	CB 14	200	PVC 5.30	1.38	99.91	S19 PERFORATED	- 98.53
GLENROY GILBERT DRIVE	CB 15	250	PVC 0.90	1.38	99.49	S19 PERFORATED	- 98.11
GLENROY GILBERT DRIVE	DCB 16	250	PVC 4.20	1.38	99.56	S19 PERFORATED	- 98.18
BLOCK A	CB 17	200	PVC 3.80	1.38	100.41	S19 PERFORATED	- 99.03
BLOCK A	CB 18	200	PVC 1.00	2.00	99.80	S19 PERFORATED	- 97.80
BLOCK A	CB 28	250	PVC 6.80	2.00	100.10	S19 PERFORATED	99.02 98.10
BLOCK B	CB 20	250	PVC 0.80	1.62	98.42	S19 PERFORATED	N. 97.41 S. 96.86 96.80
BLOCK B	CB 21	200	PVC 3.60	1.38	98.92	S19 PERFORATED	- 97.54
BLOCK B	CB 22	250	PVC 20.00	2.00	97.42	S19 PERFORATED	95.86 95.42
BLOCK B	CB 23	200	PVC 2.00	1.38	96.06	S19 PERFORATED	- 94.68
BLOCK B	CB 24	200	PVC 4.50	1.38	95.34	S19 PERFORATED	- 93.96
BLOCK B	CB 25	250	PVC 12.20	1.38	95.77	S19 PERFORATED	94.73 94.39
BLOCK B	CB 26	250	PVC 12.20	1.38	95.77	S19 PERFORATED	- 94.39

STRUCTURE ID	ICD DIA. (mm)/ TYPE
STM 107	75
CB 9	75
CB 10	75
CB 11	75
CB 12	75
CB 13	75
CB 14	75
CB 28	75
CB 18	Tempest LMF90
CBMH 110	Tempest LMF90
DCB 15	100
DCB 16	115
STM 1190	110
STM 118	125
STM 120	165
STM124	135
STM 126	190



NOT FOR CONSTRUCTION

No.	BY	DATE	DESCRIPTION
1	S.L.M.	22-06-10	1ST SUBMISSION

TOPOGRAPHIC INFORMATION
 TOPOGRAPHIC INFORMATION PROVIDED BY STANTEC GEOMATICS LTD., PROJECT No. 161614291-111, DATED MARCH 1, 2022

SITE PLAN INFORMATION
 SITE PLAN PROVIDED BY SRN ARCHITECTS LTD., PROJECT No. S21001, DATED FEBRUARY 3, 2022

LEGAL INFORMATION
 CALCULATED M-PLAN PROVIDED BY STANTEC GEOMATICS LTD., PROJECT No. 161614291-111, DATED MARCH 1, 2022

BENCH MARK
 ELEVATIONS ARE REFERRED TO THE CANADIAN GEODETIC VERTICAL DATUM (CGVD-1928:1978) AND ARE DERIVED FROM BENCHMARK MONUMENT No. 196530071*, HAVING A PUBLISHED ELEVATION OF 99.742 METRES

MINTO COMMUNITIES INC. BARRHAVEN TOWN CENTRE STAGE 1

DSEL 120 Iber Road Unit 103, Slittsville, Ontario, K2S 1E9. Tel: (613) 836-0856, Fax: (613) 836-7183, www.DSEL.ca

S.L. MERRICK 100186523, 2022-06-10, PROVINCE OF ONTARIO

Ottawa 110 Laurier Ave W, Ottawa, Ontario, K1P 1J1. Tel: (613) 580-2400, www.Ottawa.ca

© DSEL
DETAILS AND TABLE

DRAWN BY: AM	CHECKED BY: BC	PROJECT No. 15-816
DESIGNED BY: BC	CHECKED BY: SM	SHEET No. 2
SCALE: N.T.S.		

CITY PLAN No. D07-XX-XX-XXXX