

NOTE

COPYRIGHT © ZEIDLER ARCHITECTURE INC.

CONTRACTOR MUST CHECK AND VERIFY ALL DIMENSIONS ON THE JOB. ANY DISCREPANCY OR CONTRADICTORY INFORMATION WITHIN THIS SET OF DRAWINGS AND / OR OTHER CONSULTANTS' DRAWINGS MUST BE BROUGHT TO THE ATTENTION OF THE ARCHITECT BEFORE PROCEEDING.

CSW

- Landscape Architecture
- Urban Design
- Site Planning
- Recreation and Park Planning
- Project Management

319 McRae Avenue, Suite 502, Ottawa, Ontario, K1Z 0B9
Tel. (613) 729-4536

2	RE-ISSUED TO SITE PLAN CONTROL	2022-04-27
1	ISSUED TO SITE PLAN CONTROL	2021-10-29

NO.	ISSUE/ REVISION	DATE
-----	-----------------	------

NOT FOR CONSTRUCTION

PROJECT

**CF RIDEAU CENTRE
REGISTRY SITE**

PROJECT ADDRESS

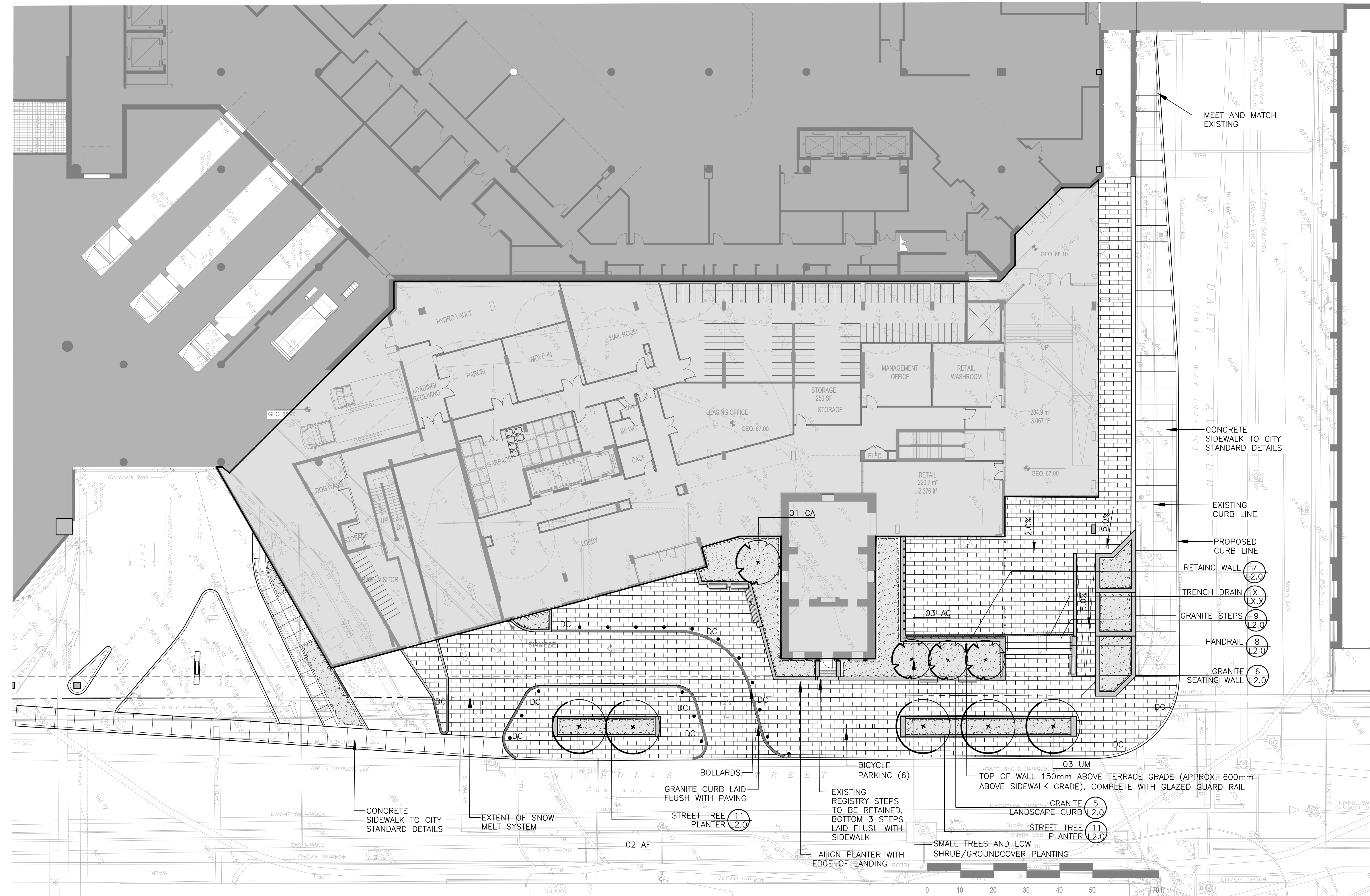
70 NICOLAS ST.
OTTAWA, ON

TITLE

**LEVEL 1
LANDSCAPE PLAN**

PROJECT NO.	DRAWN	CHECKED
2088-01	SE	JC

DRAWING NO.	REVISION NO.
L1.0	1



1 GROUND LEVEL LANDSCAPE PLAN

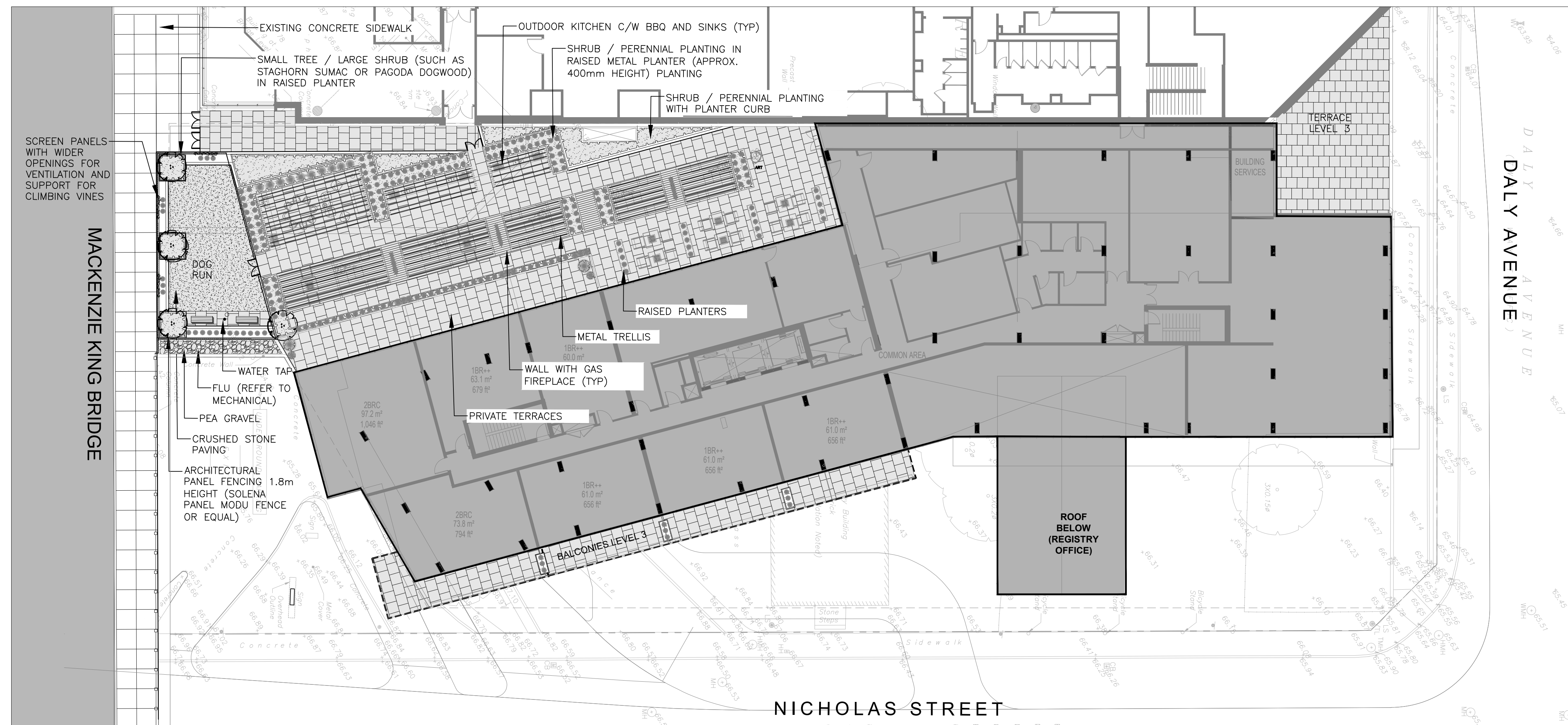
Scale: 1:200

PLANT LIST

SYM.	BOTANICAL NAME	COMMON NAME	QTY.	SIZE	REMARKS
LARGE DECIDUOUS TREES					
AF	ACER FREEMANII 'CELZAM'	CELEBRATION MAPLE	02	70mm CAL.	B&B / W.B.
UM	ULMUS 'MORTON'	ACCOLADE ELM	03	70mm CAL.	B&B / W.B.
SMALL DECIDUOUS TREES					
AC	AMELANCHIER CANADENSIS	SHADBLOW SERVICEBERRY	03	50mm CAL.	B&B / W.B.
CA	CORNUS ALTERNIFOLIA	PAGODA DOGWOOD	01	50mm CAL.	B&B / W.B.
SHRUBS					
AU	ARCTOSTAPHYLOS UVA-URSI	BEARBERRY	--	450mm SPR.	POT. 600mm O.C.
JH	JUNIPERUS HORIZONTALIS 'MONBER'	ICE BLUE JUNIPER	--	600mm SPR.	POT. 750mm O.C.
RA	RIBES ALPINUM	ALPINE CURRENT	--	450mm HT.	POT. 600mm O.C.
ORNAMENTAL GRASS					
CE	CAREX ELATA 'BOWLES' GOLDEN'	BOWLES' GOLDEN SEDGE GRASS	--	300mm HT.	POT. 450mm O.C.
DC	DESCHAMPIA CESPITOSA 'NORTHERN LIGHTS'	NORTHERN LIGHTS HAIR GRASS	--	450mm HT.	POT. 600mm O.C.
PERENNIALS					
HB	HEUCHERA 'BERRY SMOOTHIE'	'BERRY SMOOTHIE' CORAL BELLS	--	1 GAL. POT	POT. 400mm O.C.
AC	ASTILBE CHINENSIS 'VISION IN WHITE'	'VISION IN WHITE' ASTILBE	--	1 GAL. POT	POT. 450mm O.C.
HO	HOSTA SP.	HOSTA SPECIES	--	1 GAL. POT	POT. 450mm O.C.

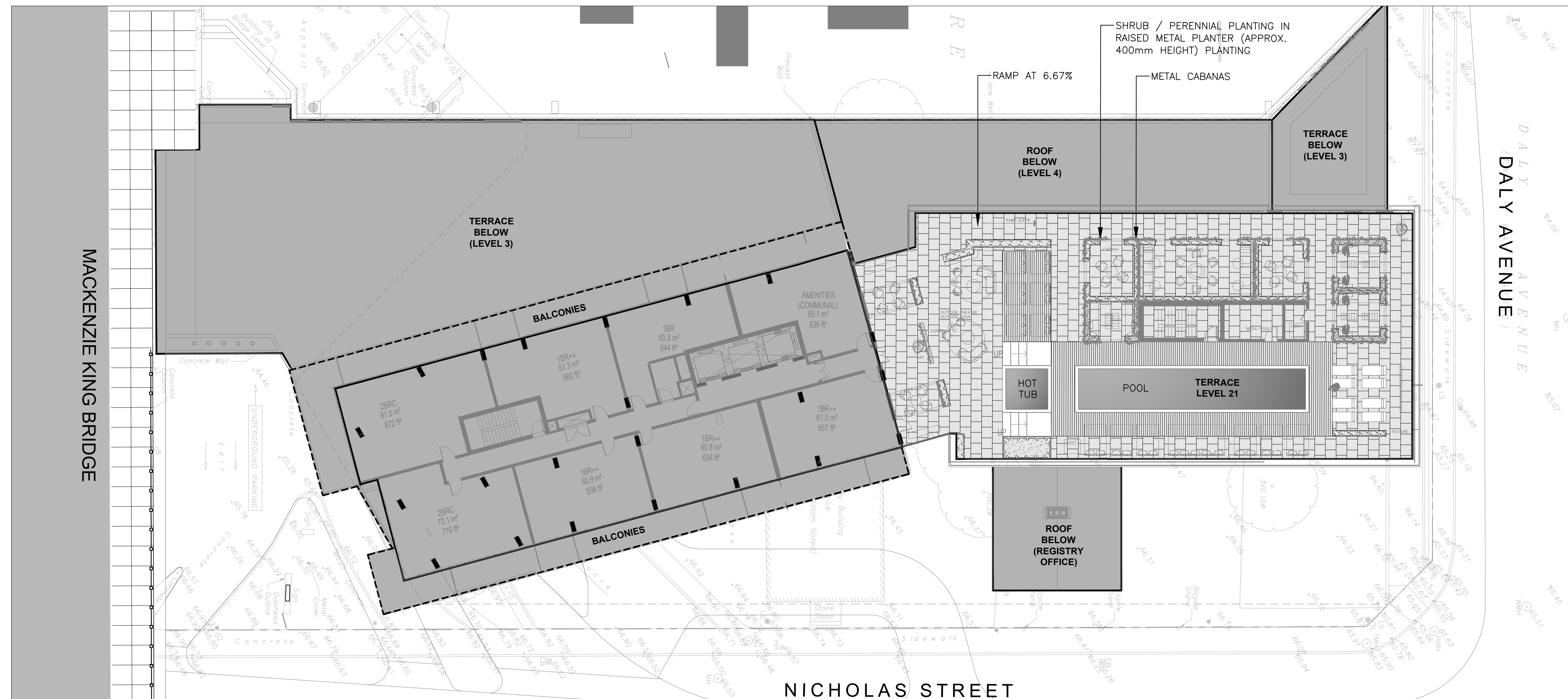
LEGEND:

- PROPOSED CONCRETE PAVING
- UNIT PAVING - TYPE 1 (UNIT PAVERS OVER GRANULAR BASE)
- UNIT PAVING - TYPE 2 (PORCELAIN TILE PAVERS OVER PEDESTAL SYSTEM WITH TERRA-GRID)
- WOOD DECKING (IPE OR THERMORY ASH)
- GRANITE BOLLARD
- GRANITE SEATING WALL
- GRANITE LANDSCAPE CURB
- PRE-CAST CONCRETE LANDSCAPE CURB
- SHRUB PLANTING
- CRUSHED STONE PAVING
- WOOD BENCH
- PROPOSED TREE



1 TERRACE LEVEL 3 - LANDSCAPE PLAN

Scale: 1:200



2 TERRACE LEVEL 21 - LANDSCAPE PLAN

Scale: 1:200



zeidler
600-158 Sterling Road
Toronto, ON M6R 2B7
T +1 416 596 8300
ZEIDLER.COM

NEUF ARCHITECTURE
406-47 Clarence Street
Ottawa, ON K1N 9K1
T +1 613 234 2274
NEUFARCHITECTES.COM

CF Cadillac Fairview

NOTE

COPYRIGHT © ZEIDLER ARCHITECTURE INC.
CONTRACTOR MUST CHECK AND VERIFY ALL DIMENSIONS ON THE JOB. ANY DISCREPANCY OR CONTRADICTORY INFORMATION WITHIN THIS SET OF DRAWINGS AND / OR OTHER CONSULTANTS' DRAWINGS MUST BE BROUGHT TO THE ATTENTION OF THE ARCHITECT BEFORE PROCEEDING.

CSW Landscape Architecture
Urban Design
Site Planning
Recreation and Park Planning
Project Management

319 McRae Avenue, Suite 502, Ottawa, Ontario, K1Z 0B9
Tel: (613) 729-4536

NO.	ISSUE/ REVISION	DATE
2	RE-ISSUED TO SITE PLAN CONTROL	2022-04-27
1	ISSUED TO SITE PLAN CONTROL	2021-10-29

NOT FOR CONSTRUCTION

PROJECT
**CF RIDEAU CENTRE
REGISTRY SITE**

PROJECT ADDRESS
70 NICOLAS ST.
OTTAWA, ON

TITLE
**UPPER TERRACES
Landscape Layout**

PROJECT NO. 18-1-060
DRAWN Author
CHECKED Checker

DRAWING NO. L1.2
REVISION NO. 1

LEGEND:

	PROPOSED CONCRETE PAVING
	UNIT PAVING - TYPE 1 (UNIT PAVERS OVER GRANULAR BASE)
	UNIT PAVING - TYPE 2 (PORCELAIN TILE PAVERS OVER PEDESTAL SYSTEM WITH TERRA-GRID)
	WOOD DECKING (IPE OR THERMORY ASH)
	GRANITE BOLLARD
	GRANITE SEATING WALL
	GRANITE LANDSCAPE CURB
	PRE-CAST CONCRETE LANDSCAPE CURB
	SHRUB PLANTING
	CRUSHED STONE PAVING
	WOOD BENCH
	PROPOSED TREE

NOTE
 COPYRIGHT © ZEIDLER ARCHITECTURE INC.
 CONTRACTOR MUST CHECK AND VERIFY ALL DIMENSIONS ON THE JOB. ANY DISCREPANCY OR CONTRADICTORY INFORMATION WITHIN THIS SET OF DRAWINGS AND / OR OTHER CONSULTANTS' DRAWINGS MUST BE BROUGHT TO THE ATTENTION OF THE ARCHITECT BEFORE PROCEEDING.

CSW
 Landscape Architecture
 Urban Design
 Site Planning
 Recreation and Park Planning
 Project Management
 319 McRae Avenue, Suite 502, Ottawa, Ontario, K1Z 0B9
 Tel: (613) 729-4536

2	RE-ISSUED TO SITE PLAN CONTROL	2022-04-26
1	ISSUED TO SITE PLAN CONTROL	2021-10-29

NO.	ISSUE/REVISION	DATE
-----	----------------	------

NOT FOR CONSTRUCTION

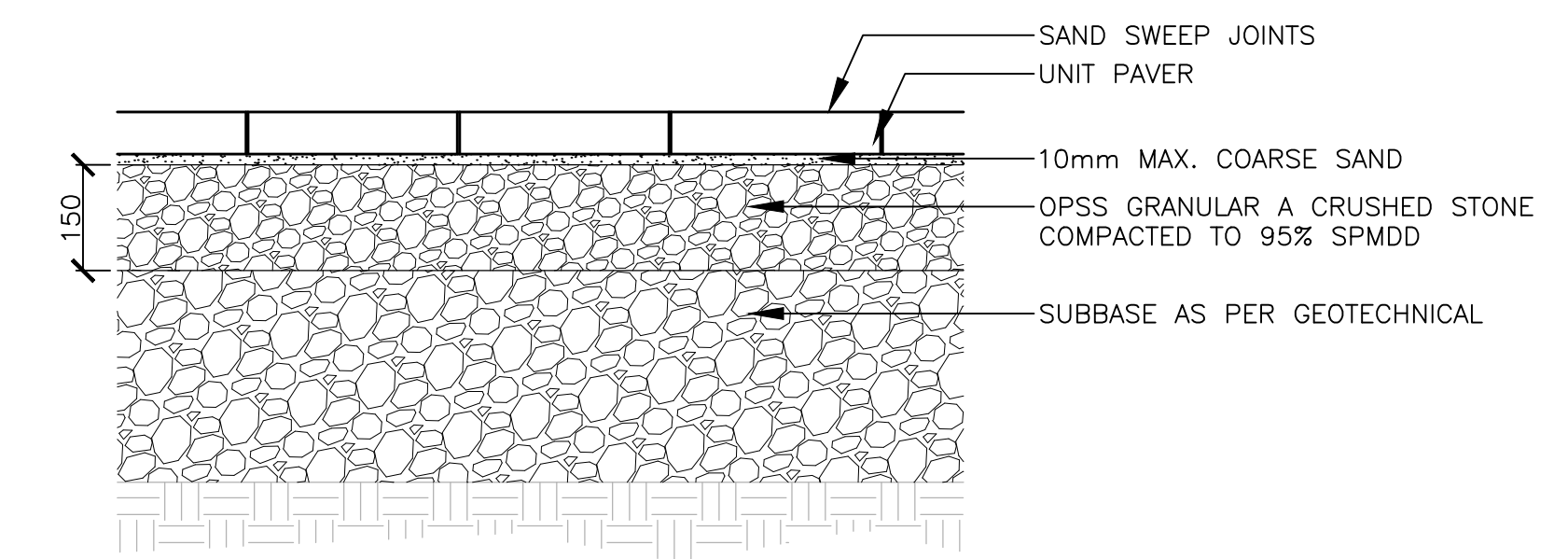
PROJECT
**CF RIDEAU CENTRE
 REGISTRY SITE**

PROJECT ADDRESS
 70 NICOLAS ST.
 OTTAWA, ON

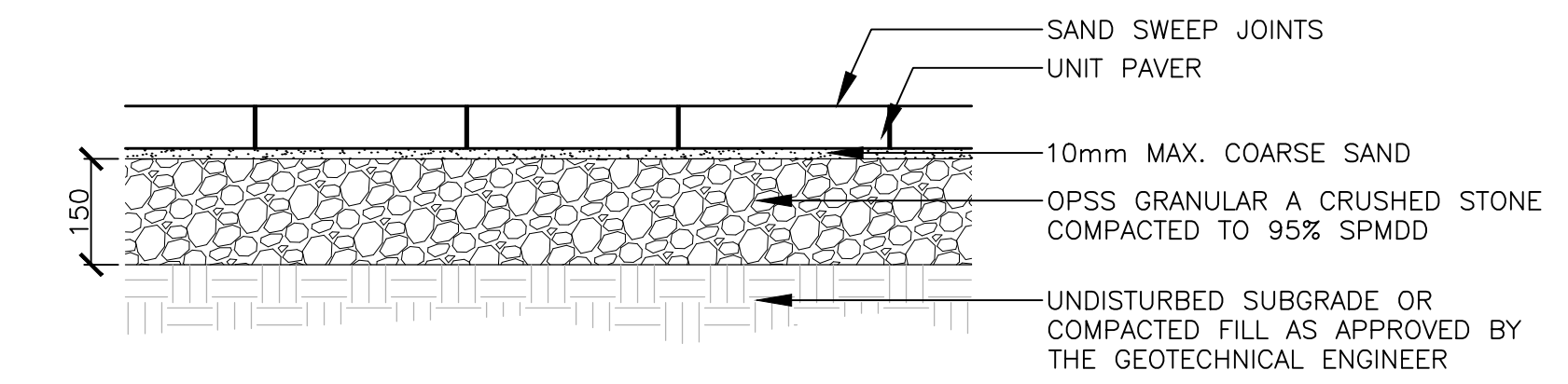
TITLE
**LANDSCAPE
 DETAILS
 (GROUND LEVEL)**

PROJECT NO.	DRAWN	CHECKED
2088-01	SE	JC

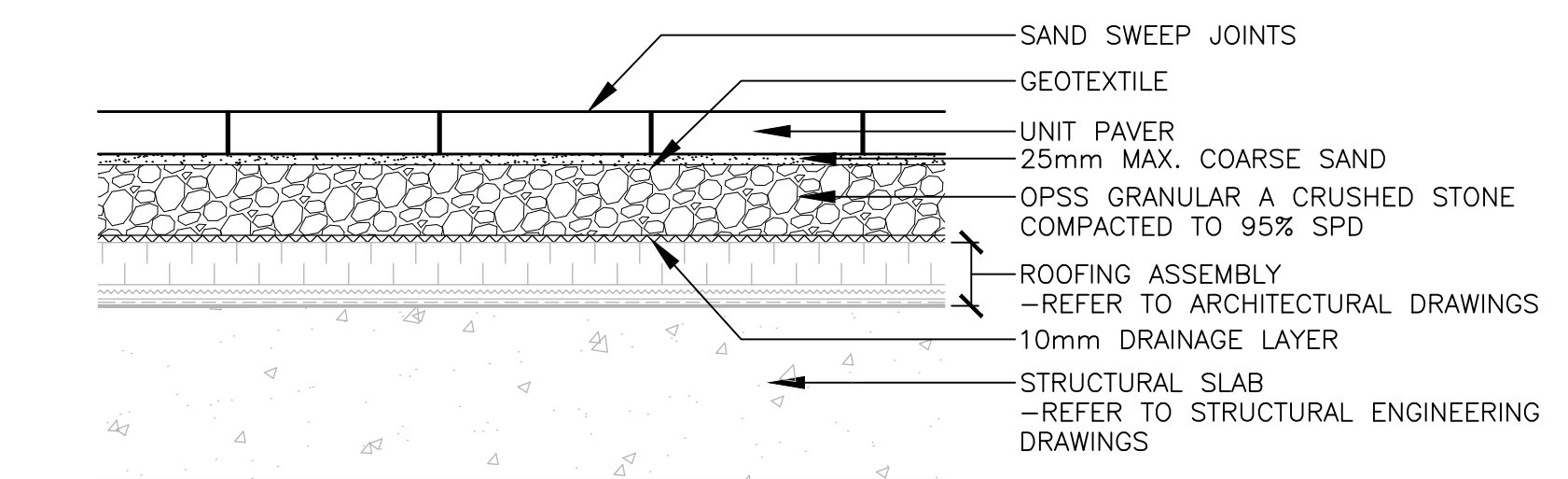
DRAWING NO.	REVISION NO.
L2.0	1



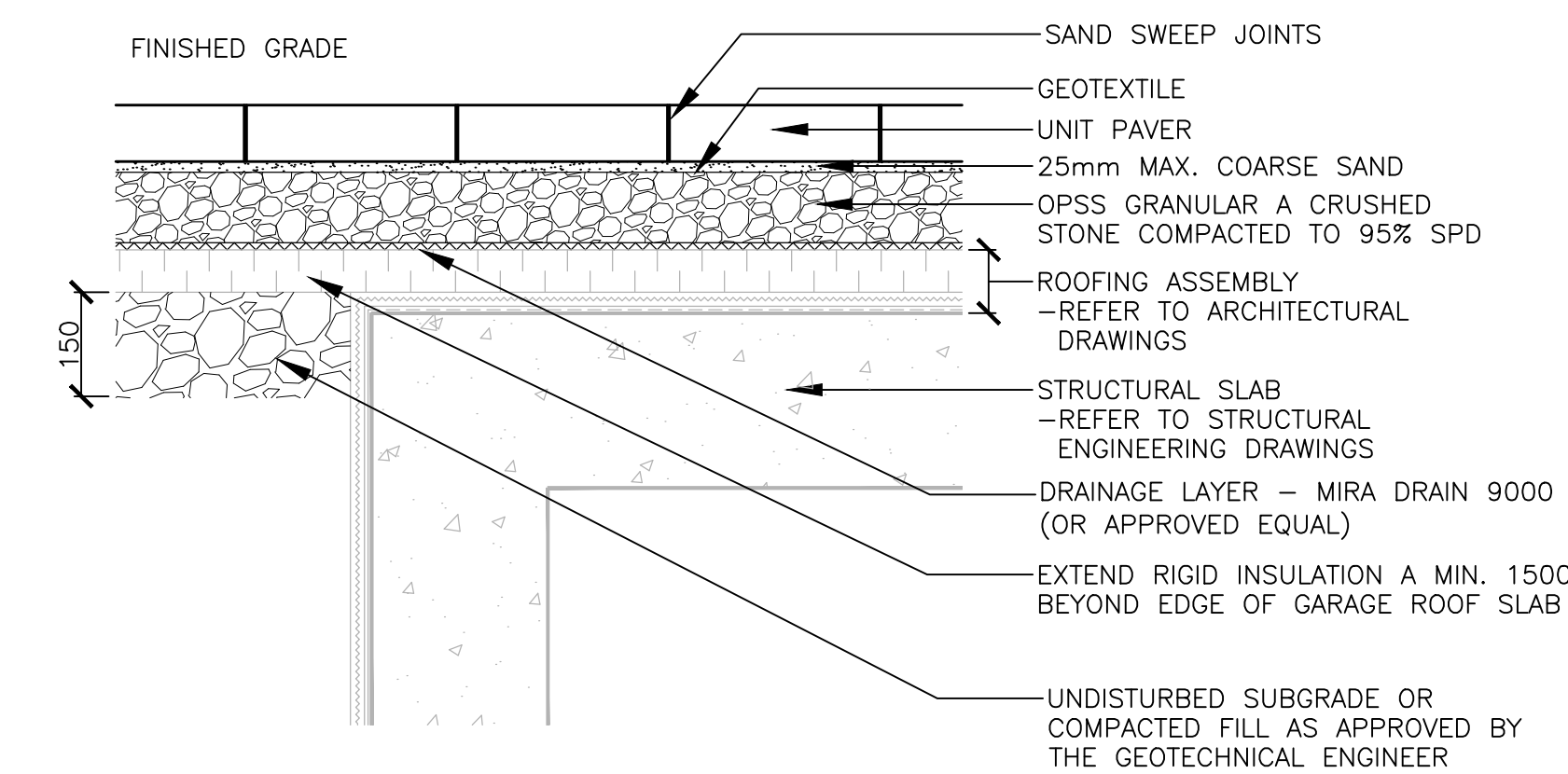
1 UNIT PAVING (VEHICULAR) Scale: 1:10



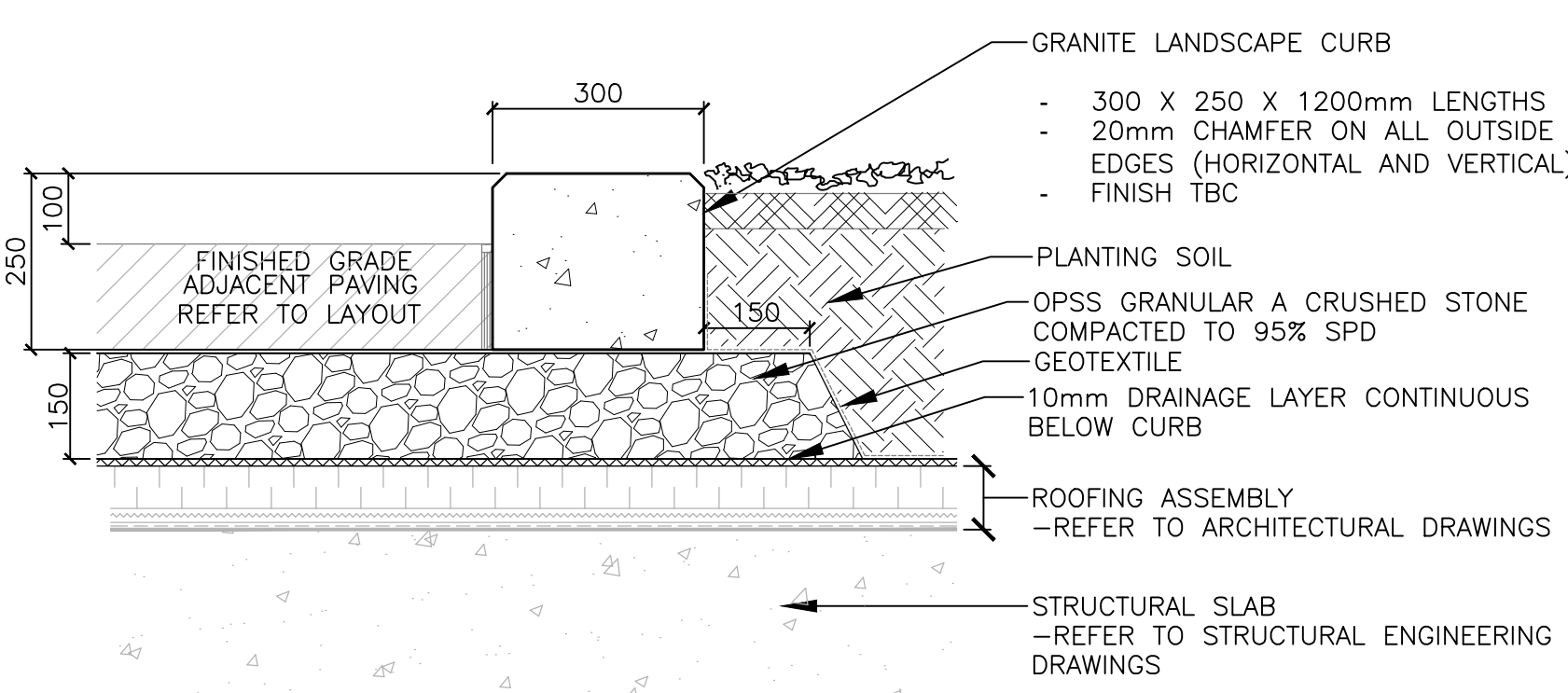
2 UNIT PAVING (PEDESTRIAN) Scale: 1:10



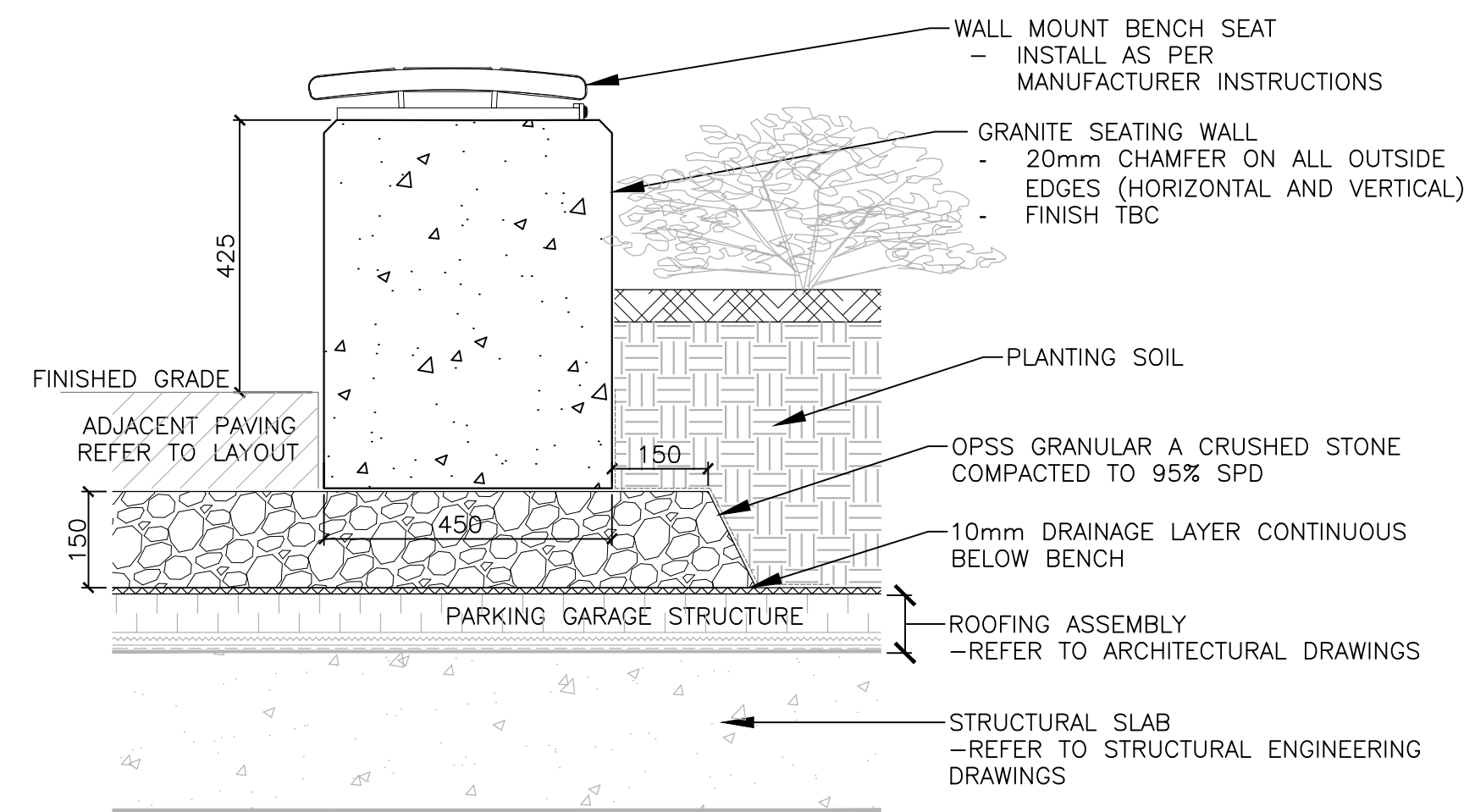
3 UNIT PAVING OVER SLAB Scale: 1:10



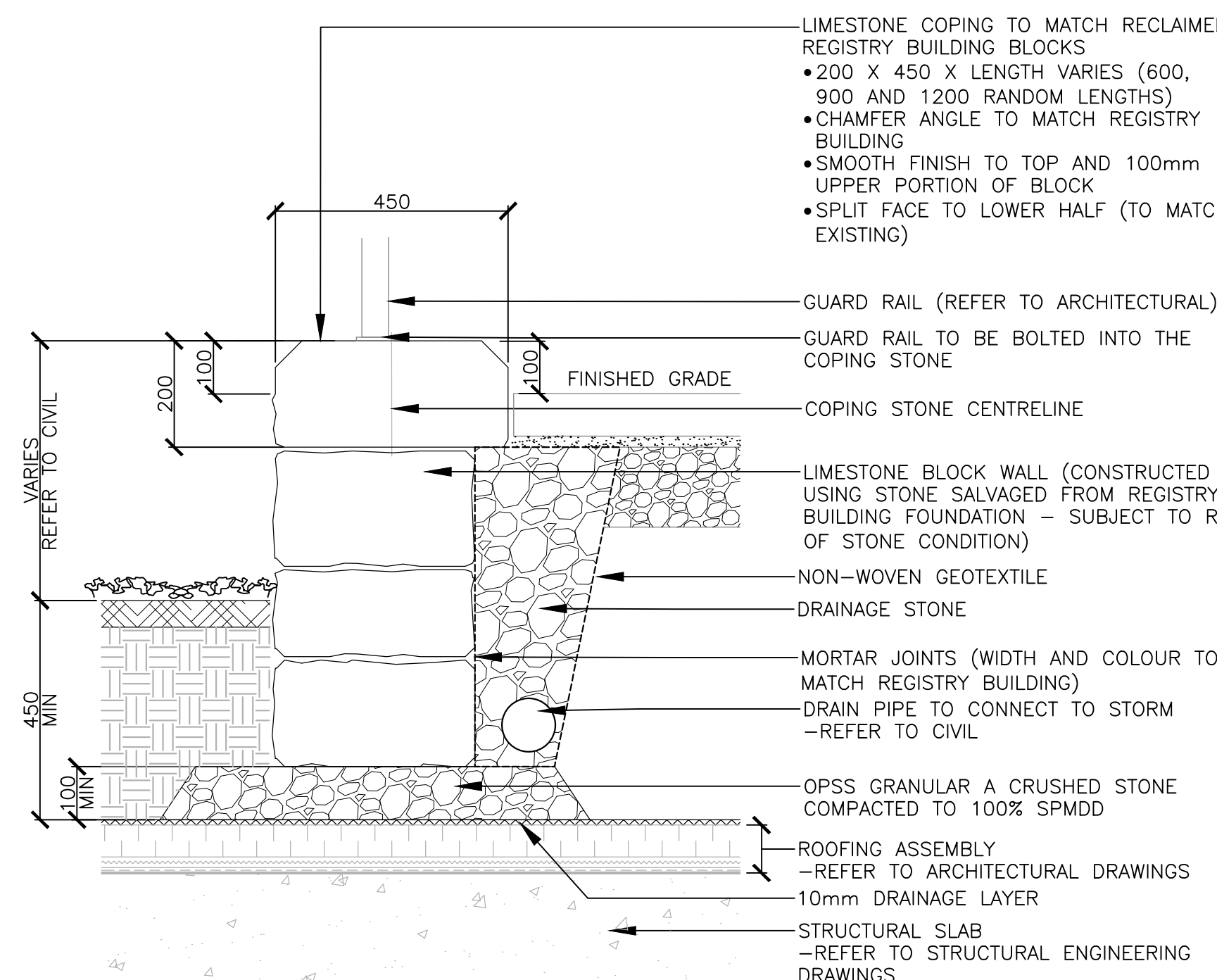
4 UNIT PAVING AT EDGE OF SLAB Scale: 1:10



5 GRANITE CURB Scale: 1:30

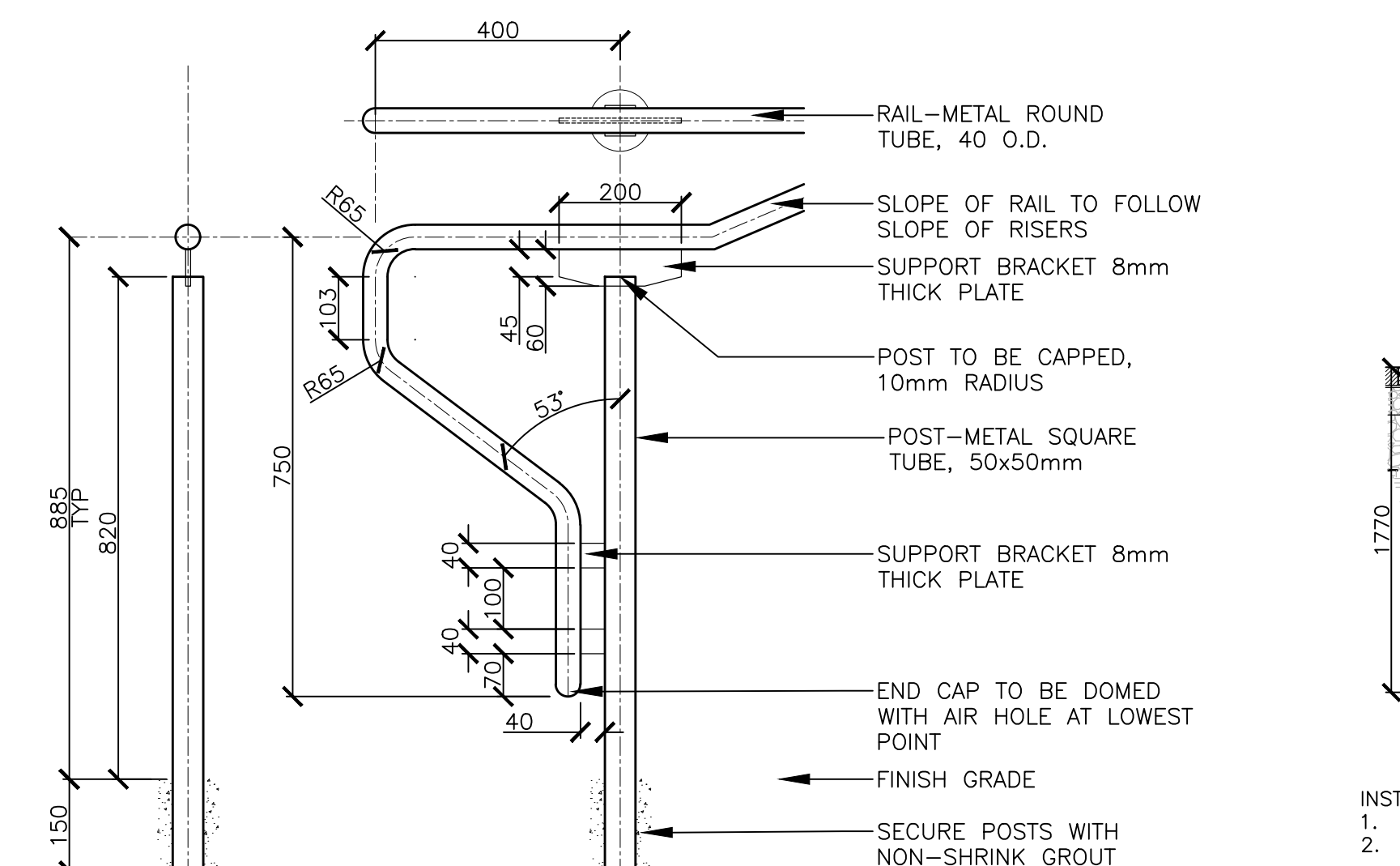


6 GRANITE SEATING WALL Scale: 1:10



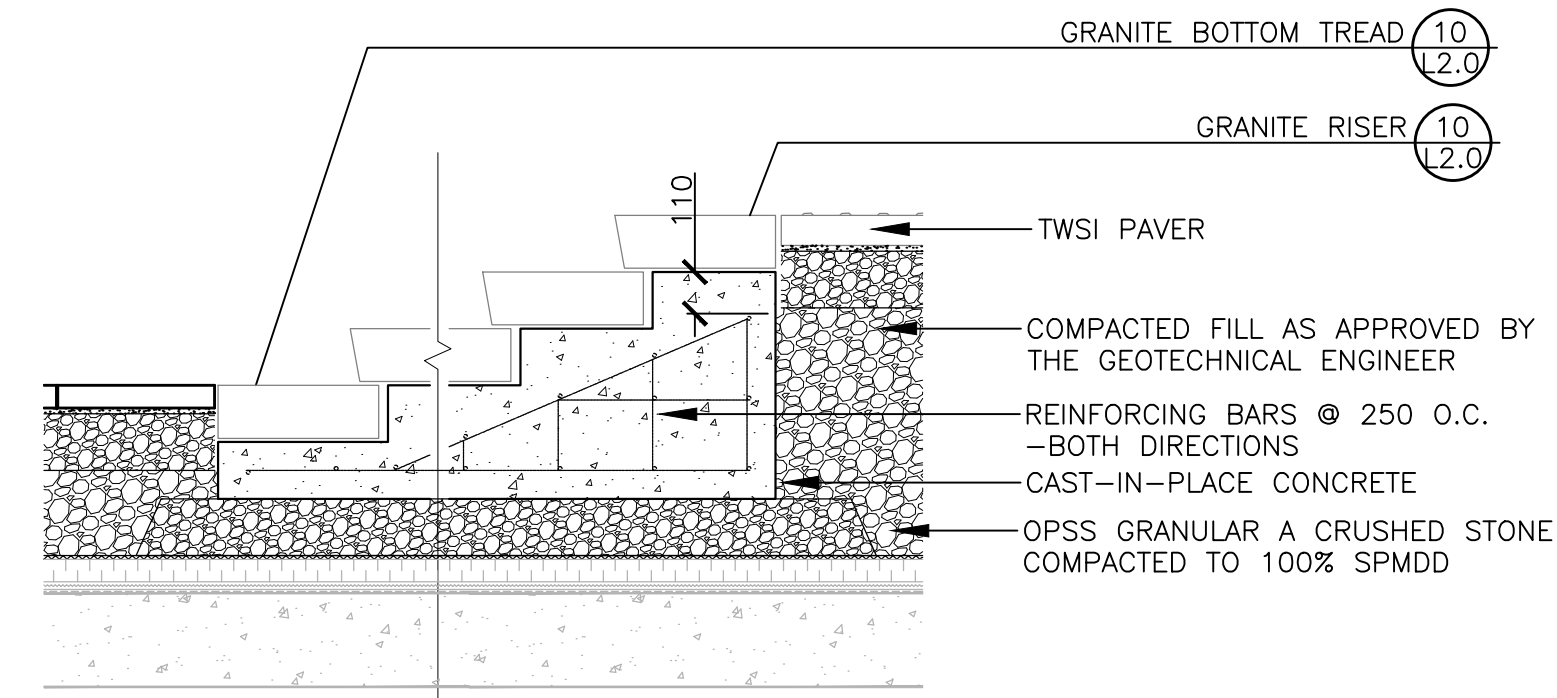
NOTES:
 1. TOP OF WALL TO REMAIN AT CONSISTENT ELEVATION. REFER TO GRADING PLAN FOR ELEVATIONS
 2. BOTTOM COURSE TO BE BURIED MINIMUM 2/3 HEIGHT.
 3. EXCAVATION AND SUBGRADE CONDITION TO BE REVIEWED BY GEOTECHNICAL ENGINEER.
 4. DRILL AND DOWEL AS REQUIRED FOR STRUCTURAL SUPPORT AT GUARDRAIL POSTS.
 5. CONTRACTOR TO PROVIDE ENGINEER STAMPED SHOP DRAWINGS FOR REVIEW.

7 RETAINING WALL Scale: 1:10



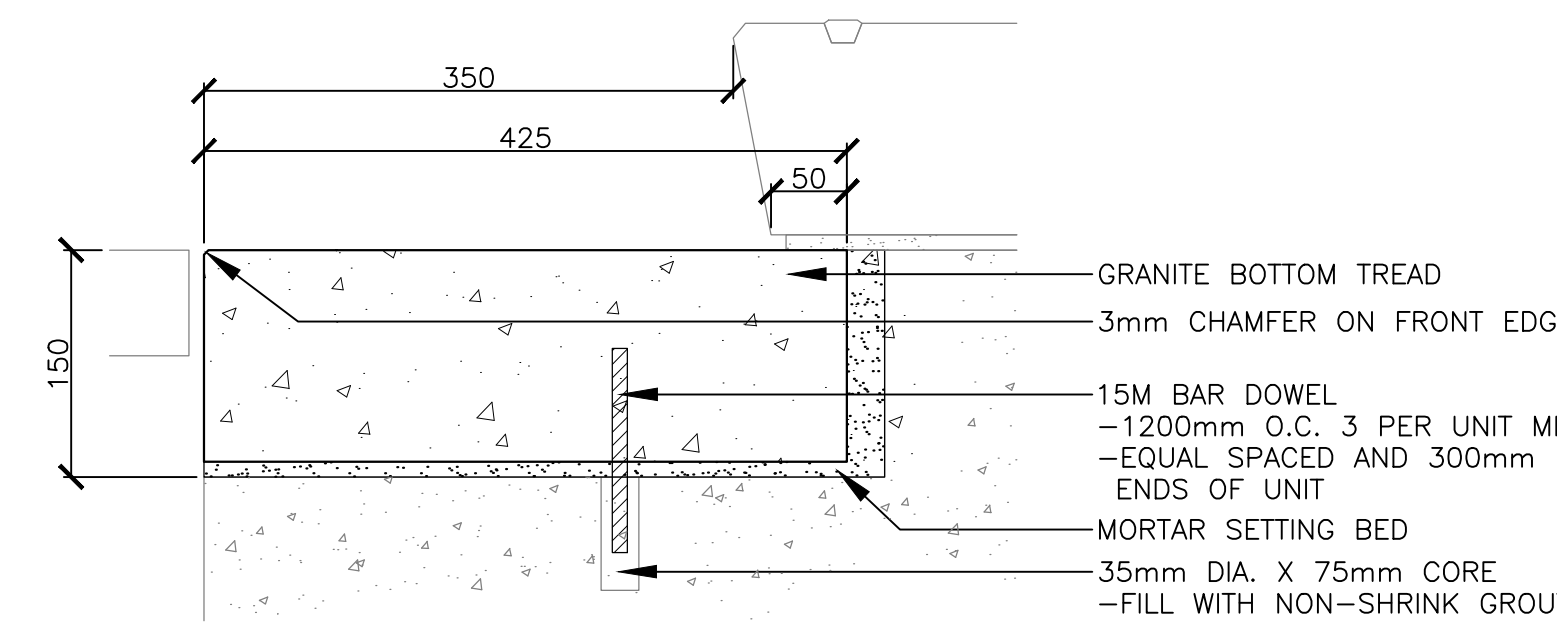
NOTES:
 1. HANDRAIL TO BE MARINE GRADE, SAE 316, STAINLESS STEEL
 2. ALL WELDS TO BE FULL LENGTH AND BOTH SIDES OF ALL METAL SURFACES
 3. GRIND SMOOTH ALL JOINTS AND EDGES
 4. CONTRACTOR TO SUBMIT SHOP DRAWINGS FOR REVIEW PRIOR TO FABRICATION

8 HANDRAIL Scale: 1:10

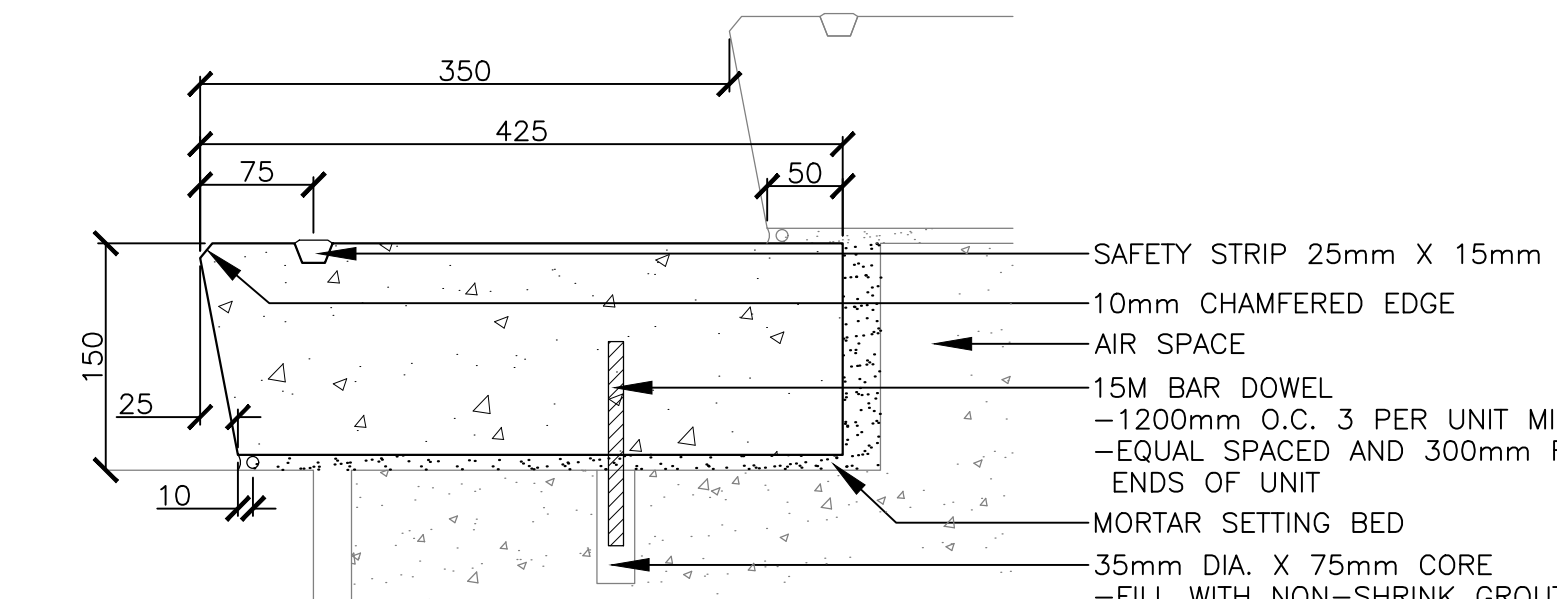


NOTES:
 -GRANULAR BASE TO BE INSPECTED AND APPROVED BY GEOTECHNICAL ENGINEER
 -ALL REINFORCING IN STAIRS TO BE 15M EPOXY-COATED
 -MAINTAIN 75mm COVER OVER REINFORCING IN CONCRETE.

9 GRANITE STEPS Scale: 1:20



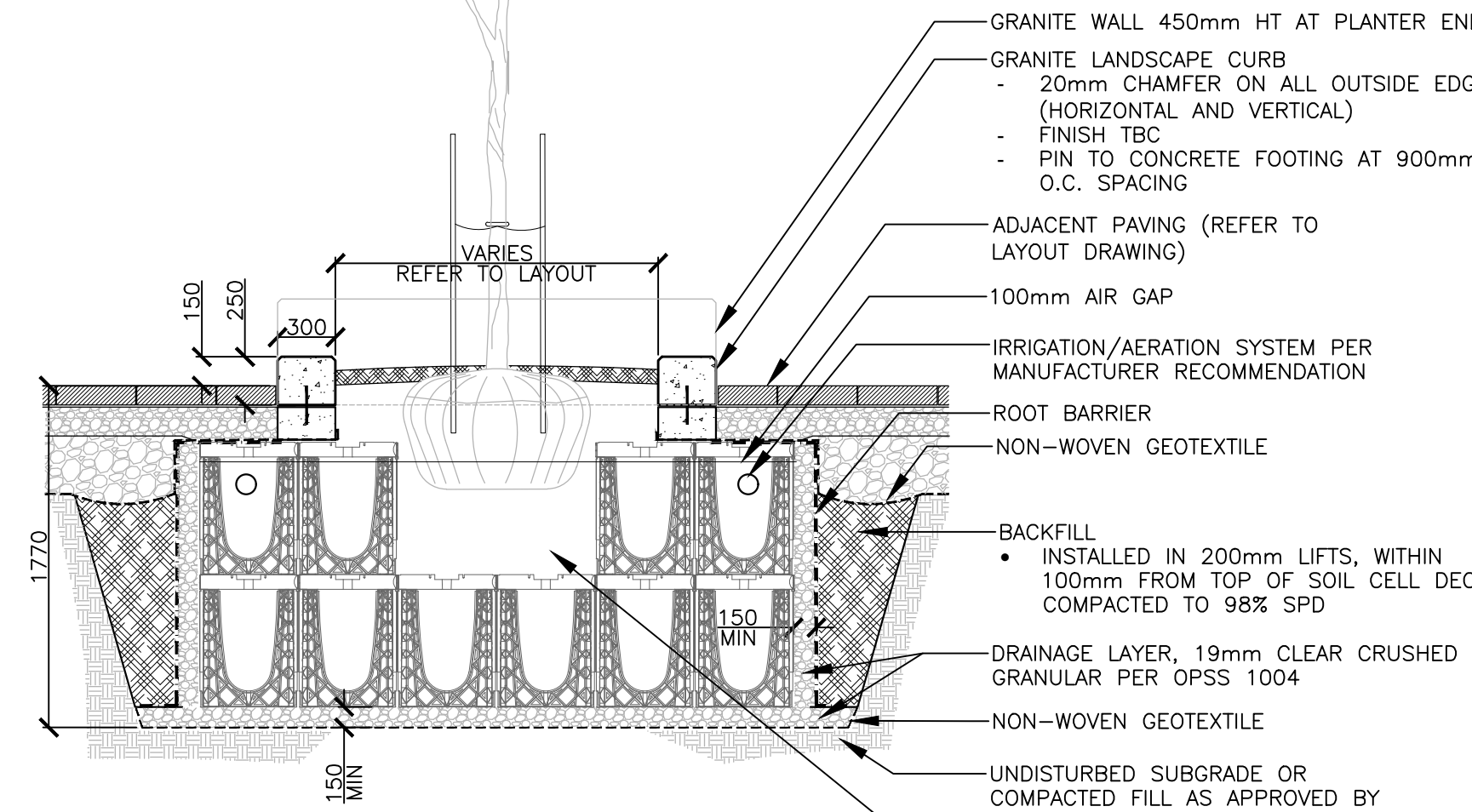
BOTTOM TREAD



RISER

NOTES:
 • ALL RISERS AS PART OF SET OF STAIRS SHALL HAVE THE SAME HEIGHT AND WIDTH OF TREAD
 • SAFETY STRIP
 -CARBORUNDUM / EPOXY MIX
 -RAISED TEXTURE (MAX. 2mm) SET INTO EACH STAIR TREAD
 -TERMINATE SAFETY STRIP 50mm FROM EDGE OF TREAD
 • SLOPE TREADS TO DRAIN AT 1% (ENSURE POSITIVE DRAINAGE ON ALL TREADS)
 • COLOUR AND FINISH: TO BE DETERMINED AT TIME OF SHOP DRAWINGS REVIEW
 • ALL JOINTS TO BE FILLED WITH BACKER ROD AND CAULKED.
 • CONTRACTOR TO SUBMIT SHOP DRAWINGS FOR REVIEW PRIOR TO FABRICATION

10 STEP TREADS Scale: 1:10



INSTALLATION/EXCAVATION TIPS:
 1. ADD 5% TO OUTER PLAN DIMENSIONS WHEN EXCAVATING PIT.
 2. ALWAYS CHECK PIT DIMENSIONS AT BASE OF PIT, ENSURING SIDES ARE CLEAN AND SQUARE.
 3. LEVEL AND SCREED DRAINAGE LAYER PRIOR TO PLACEMENT OF CELLS.

NOTES:
 1. REFER TO CIVIL FOR DRAINAGE CONNECTIONS
 2. CONTRACTOR IS RESPONSIBLE TO REVIEW ALL SITE CONDITIONS PRIOR TO INSTALLATION INCLUDING FIELD CONDITIONS OF UNDERGROUND SERVICES
 3. CONTRACTOR TO COORDINATE AND SUBMIT SHOP DRAWINGS FOR REVIEW PRIOR TO INSTALLATION. SHOP DRAWINGS SHALL INCLUDE, DETAILS FOR TRANSITIONING AROUND UTILITIES.

11 STREET TREE PLANTING Scale: 1:30