

1. SOIL DESCRIPTION VERY FINE SANDS, SANDY CLAYS, CLAYS, SILTS WITH TYPICAL BEARING STRENGTH OF 100 TO 150 KPa. DIMENSION NOTED ON ROLL.

PIPE DIAMETER (mm)	A	B	C	D
102	200	200	200	200
152	300	300	300	300
203	400	400	400	400
254	500	500	500	500
305	600	600	600	600
406	750	750	750	750

2. SOIL DESCRIPTION SILTY SAND, GRAVELS OR CLAYEY SAND GRAVELS WITH TYPICAL BEARING STRENGTH OF 200 TO 250 KPa. DIMENSION NOTED ON ROLL.

PIPE DIAMETER (mm)	A	B	C	D
102	200	200	200	200
152	250	250	250	250
203	300	300	300	300
254	400	400	400	400
305	500	500	500	400
406	750	750	400	600

3. SOIL DESCRIPTION VERY FINE SANDS, GRAVELS AND GRAVEL-SAND MIXTURES WITH TYPICAL BEARING STRENGTH OF 300 KPa AND OVER. DIMENSION NOTED ON ROLL.

PIPE DIAMETER (mm)	A	B	C	D
102	150	150	150	150
152	200	200	200	200
203	250	250	250	250
254	300	300	300	300
305	400	400	400	400
406	500	500	500	400

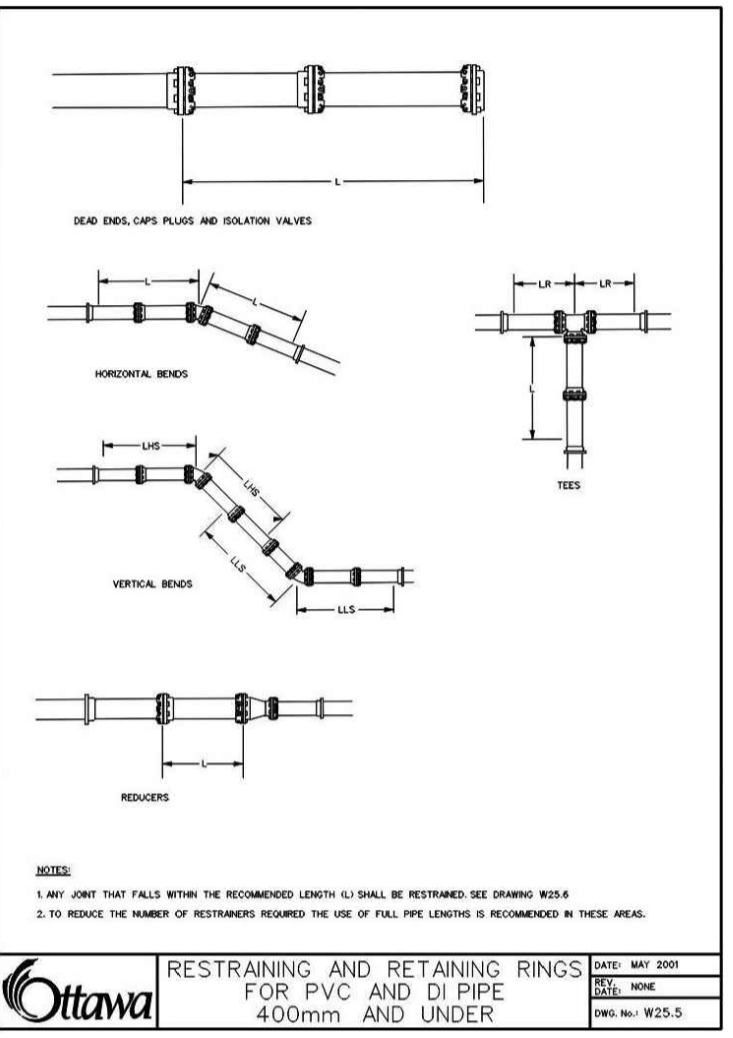
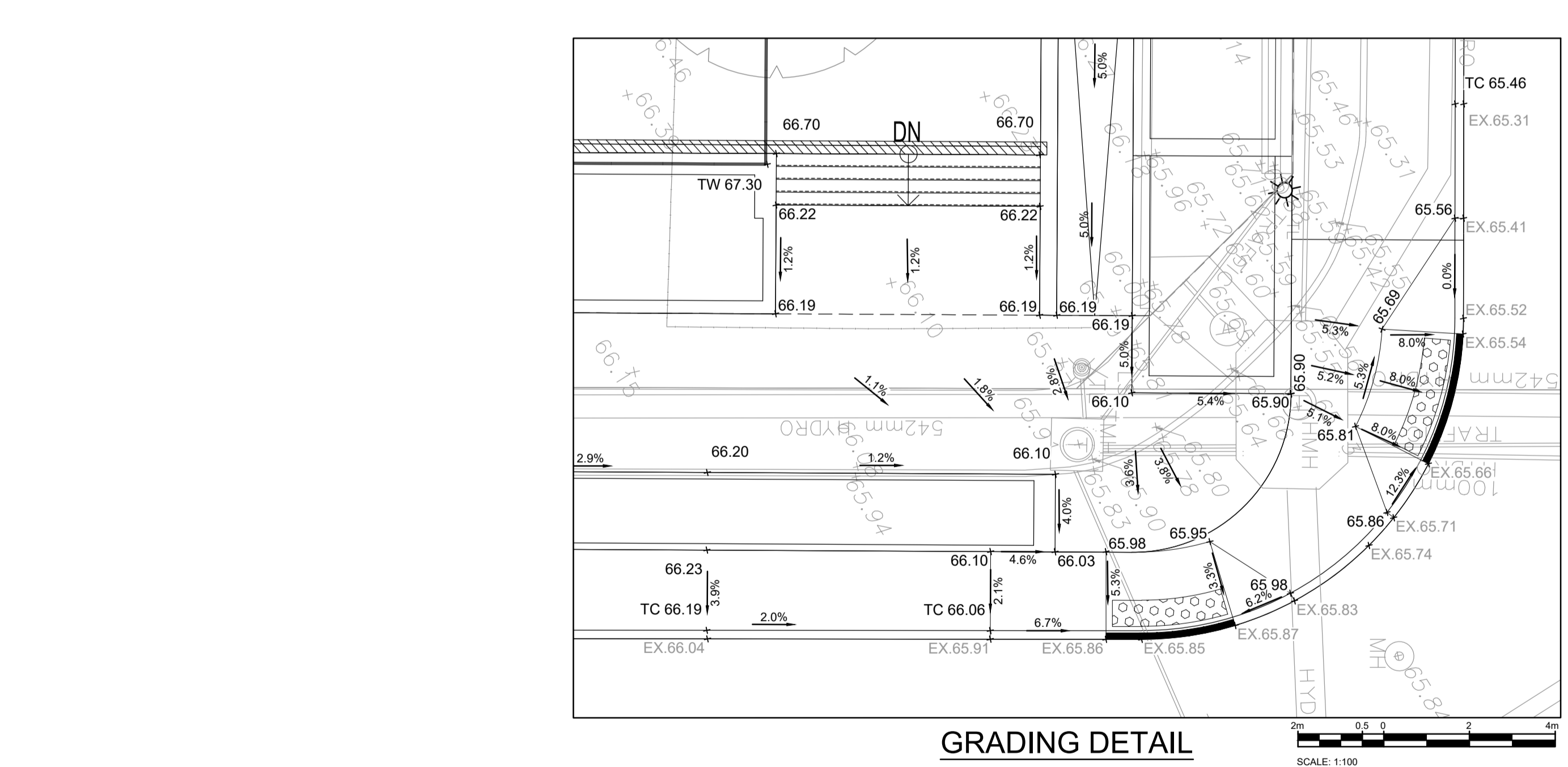
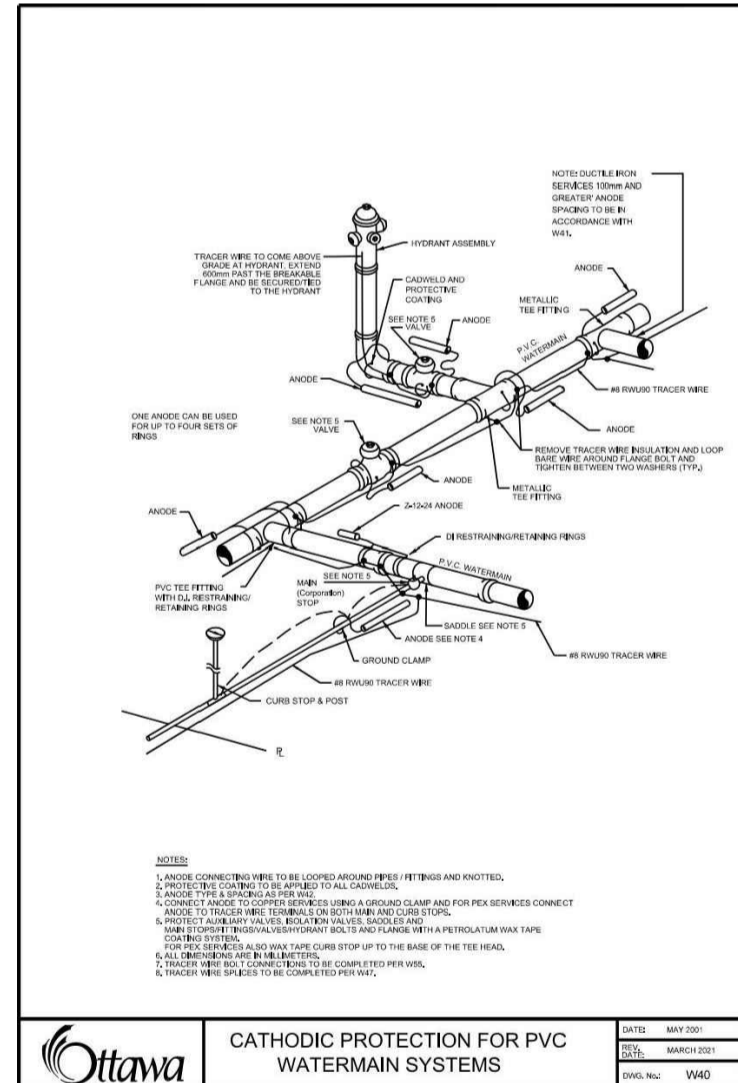
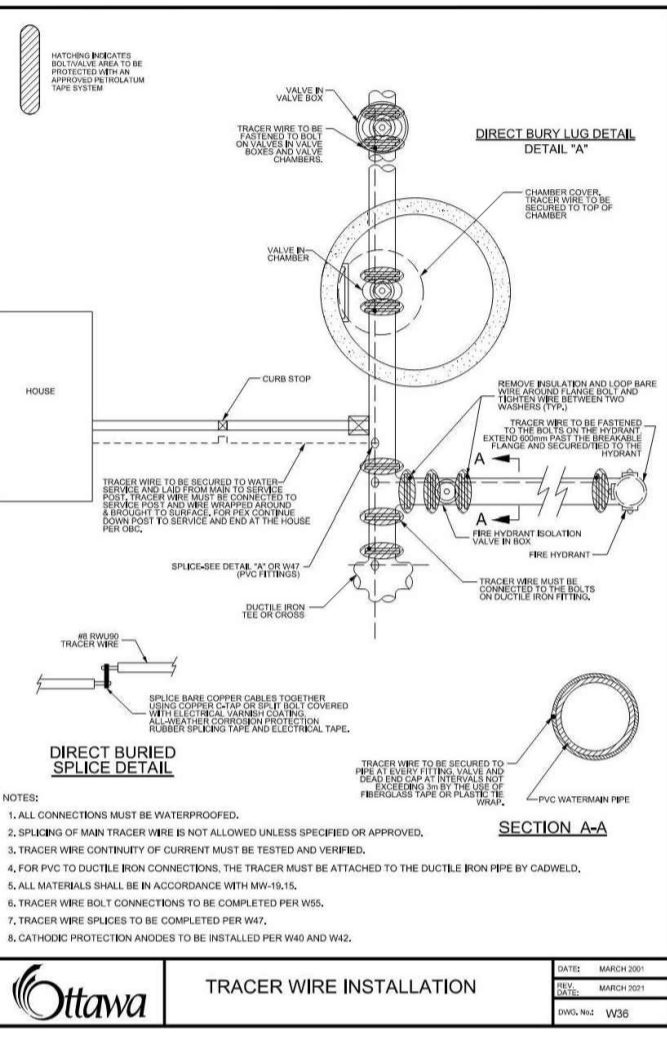


TABLE OF RESTRAINED LENGTHS FOR PVC AND DI PIPE WITH TYPICAL BEARING STRENGTH OF 100 TO 150 KPa

SMALLER DIAMETER (UNRESTRAINED)	LARGER DIAMETER SIDE TO BE RESTRAINED					
	100mm	150mm	200mm	250mm	300mm	400mm
100mm	N/A	3	6	8	10	14
150mm	N/A	N/A	6	8	9	13
200mm	N/A	N/A	N/A	3	6	11
250mm	N/A	N/A	N/A	N/A	3	7
300mm	N/A	N/A	N/A	N/A	N/A	7
400mm	N/A	N/A	N/A	N/A	N/A	N/A

TABLES OF RESTRAINED LENGTHS FOR PVC AND DI PIPE WITH TYPICAL BEARING STRENGTH OF 200 TO 250 KPa

SMALLER DIAMETER (UNRESTRAINED)	LARGER DIAMETER SIDE TO BE RESTRAINED					
	100mm	150mm	200mm	250mm	300mm	400mm
100mm	N/A	3	6	8	10	14
150mm	N/A	N/A	6	8	9	13
200mm	N/A	N/A	N/A	3	6	11
250mm	N/A	N/A	N/A	N/A	3	7
300mm	N/A	N/A	N/A	N/A	N/A	7
400mm	N/A	N/A	N/A	N/A	N/A	N/A



SANITARY SEWER DATA

FROM	LOCATION	TO	DIAMETER	MATERIAL	CLASS	LENGTH	INVERT ELEVATIONS	
							UPSTREAM	DOWNSTREAM
CAP AT BLDG	NICHOLAS ST. CONNECTION*		150mm	PVC	SDR-35	4.9m	63.66	63.56*

*INVERT AT TOP BEND. CONNECT TO EXISTING PIPE AS PER CITY OF OTTAWA STD. S11.

STORM SEWER DATA

FROM	LOCATION	TO	DIAMETER	MATERIAL	CLASS	LENGTH	INVERT ELEVATIONS	
							UPSTREAM	DOWNSTREAM
CAP	DAILY AVE. CONNECTION*		200mm	PVC	SDR-35	9.1m	62.37	62.19*

*INVERT AT TOP BEND. CONNECT TO EXISTING PIPE AS PER CITY OF OTTAWA STD. S11.

CROSSING TABLE

CROSSING No.	CONDUIT ELEV. AT CROSSING	CONDUIT ELEV. AT CROSSING	CLEARANCE	CITY OTTAWA STANDARD DETAIL
CR-01	WM, BOT. 63.30	EX. SAN, TOP. +62.88	0.42m	-
CR-02	WM, BOT. 64.09	EX. STM, TOP. +63.79	0.30m	W25.2
CR-03	EX. WM, BOT. +62.75**	STM, TOP. 62.45	0.30m	-
CR-04	EX. HYDRO, BOT. +64.96*	SAN, TOP. 63.81	1.15m	-
CR-05	EX. HYDRO, BOT. +64.96*	WM, TOP. 63.50	1.46m	-
CR-06	EX. HYDRO, BOT. +64.27*	STM, TOP. 62.52	1.75m	-

* HYDRO DUCT BANK HAS BEEN ESTIMATED TO BE 0.5m BELOW GROUND AND 0.542m THICK.
** THE TOP OF EXISTING WATERMAIN WAS ASSUMED TO BE 2.2m BELOW GRADE.
CROSSING ELEVATIONS ARE APPROXIMATE AND THE CONTRACTOR IS REQUIRED TO DETERMINE THE PRECISE LOCATION, DEPTH AND SIZE OF EXISTING UTILITIES PRIOR TO CONSTRUCTION AND REPORT ANY DISCREPANCIES/CONFLICTS TO THE ENGINEER BEFORE COMMENCING WORK.

zeidler
600-158 Sterling Road
Toronto, ON M6R 2B7
T +1 416 596 8300
ZEIDLER.COM

NEUF ARCHITECTE|ES
406-47 Clarence Street
Ottawa, ON K1N 9K1
T +1 613 234 2274
NEUFARCHITECTES.COM

CF Cadillac Fairview

PARSONS

NOTE
COPYRIGHT © ZEIDLER ARCHITECTURE INC.
CONTRACTOR MUST CHECK AND VERIFY ALL DIMENSIONS ON THE JOB. ANY DISCREPANCY OR CONTRADICTION INFORMATION WITHIN THIS SET OF DRAWINGS AND / OR OTHER CONSULTANTS' DRAWINGS MUST BE BROUGHT TO THE ATTENTION OF THE ARCHITECT BEFORE PROCEEDING.

PROFESSIONAL ENGINEER
S.D. MITCHELSON
100128064
2022-12-09
PROVINCE OF ONTARIO

NO.	ISSUE/REVISION	DATE
5	FINAL ISSUE TO SITE PLAN CONTROL	2022-12-09
4	FINAL ISSUE TO SITE PLAN CONTROL	2022-10-14
3	FINAL ISSUE TO SITE PLAN CONTROL	2022-08-24
2	RE-ISSUED TO SITE PLAN CONTROL	2022-04-29
1	ISSUED TO SITE PLAN CONTROL	2021-10-29

NOT FOR CONSTRUCTION

PROJECT
**CF RIDEAU CENTRE
REGISTRY SITE**
PROJECT ADDRESS
70 NICOLAS ST.
OTTAWA, ON

TITLE
**WATERMAIN DETAILS
AND SEWER TABLES**

PROJECT NO. 477846 DRAWN JN CHECKED SM
DRAWING NO. D0718624 REVISION NO. 2
SPA-C103
#18624