

LEGEND

- EX-SITE PROPERTY LINE
- ROW PROTECTION LINE (PROPOSED NEW PROPERTY LINE)
- PROPOSED DECIDUOUS TREE (8 2.1)
- PROPOSED CONIFEROUS TREE (8 2.1)
- PROPOSED ORNAMENTAL SHRUB PLANTING (7 2.1)
- PROPOSED NATIVE TREE AND SHRUB PLANTING (7 2.1)
- PROPOSED CONCRETE PAVING (1 2.0)
- PROPOSED UNIT PAVING TYPE 4 (UNIT PAVING OVER PARKING GARAGE ROOF DECK) (4 2.0)
- PROPOSED UNIT PAVING TYPE 1 (EXISTING UNIT PAVING LIFT AND RELAY TO FINISH FLUSH WITH NEW CONCRETE SIDEWALK, PATCH AND REPAIR WITH SALVAGED BLOCKS AS REQUIRED) (5 2.0)
- PROPOSED UNIT PAVING TYPE 2 AND 3 (UNIT PAVING TO MATCH CENTRUM BLVD. MATERIAL AND PATTERN) (5 2.0)
- PROPOSED ARMOR STONE WALL (11 2.0)
- BENCHES
- SITE FURNITURE
- BOLLARDS

Key Plan

G. Wildman

GERALDINE WILDMAN
 A/MANAGER, DEVELOPMENT REVIEW EAST BRANCH
 PLANNING, REAL ESTATE & ECONOMIC DEVELOPMENT
 DEPARTMENT, CITY OF OTTAWA

APPROVED
 By Geraldine Wildman at 4:56 pm, Feb 10, 2022

No.	Revision	Date
14	RE-ISSUED FOR SPA	15.12.2021
13	ISSUED FOR SPA, ZONING and OPA	01.09.2021
12	RE-ISSUED FOR SPA	16.04.2021
11	ISSUED FOR REVIEW	01.04.2021
10	ISSUED FOR SPA	20.11.2020
9	RE-ISSUED FOR CO-ORDINATION	12.11.2020
8	RE-ISSUED FOR CO-ORDINATION	16.10.2020
7	ISSUED FOR REVIEW	09.10.2020
6	ISSUED FOR REVIEW	05.08.2020
5	RE-ISSUED FOR CO-ORDINATION	27.07.2020
4	RE-ISSUED FOR CO-ORDINATION	09.07.2020
3	RE-ISSUED FOR CO-ORDINATION	01.06.2020
2	RE-ISSUED FOR CO-ORDINATION	13.05.2020
1	ISSUED FOR CO-ORDINATION	06.04.2020

North:

Stamp:

CSW

Landscape Architecture
 Urban Design
 Site Planning
 Recreation and Park Planning
 Project Management

319 McRae Avenue, Suite 502, Ottawa, Ontario, K1Z 0B9
 Tel: (613) 729-4536

- All measurements in millimeters unless specified otherwise. Do not scale drawing. All drawings to be read in conjunction with written specifications.
- Copyright reserved. This drawing is the exclusive property of CSW Landscape Architects Ltd. and shall not be used without the consent thereof.
- This Drawing may not be used for construction until signed by the landscape architect. It is the responsibility of the contractor to:
 - check and verify all dimensions on site;
 - report all errors and/or omissions to the landscape architect;
 - comply with all pertinent codes and by-laws;
 - check and verify locations of all underground services with all local utilities prior to any digging.

Project:

**Le Groupe Maurice
Centrum Retirement**

211 Centrum Blvd
OTTAWA, ONTARIO

Drawing:

**Landscape Plan
GENERAL LAYOUT**

Scale: 1:400 Date: Feb 2020

Design By: SE Drawn By: SE

Project Number: 2051-01 Sheet Number: L 1.0

PLANT LIST

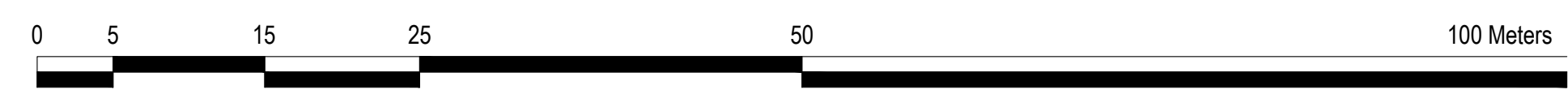
Botanical Name	Common Name	Quantity	Size
Trees			
Large Deciduous			
AF Acer freemanii 'Celzam'	Celebration Maple	10	70mm Cal. B.B./W.B.
AS Acer saccharum	Sugar Maple	18	70mm Cal. B.B./W.B.
ASi Acer saccharinum	Silver Maple	5	70mm Cal. B.B./W.B.
BP Betula populifolia 'Whitespire'	Whitespire Birch	28	70mm Cal. B.B./W.B.
CO Celtis occidentalis	Common Hackberry	9	70mm Cal. B.B./W.B.
GT Gleditsia triacanthos 'Shademaster'	Shademaster Honeylocust	9	70mm Cal. B.B./W.B.
OV Ostrya virginiana	Hop Hornbeam	8	70mm Cal. B.B./W.B.
UM Ulmus morton	Accolade Elm	2	70mm Cal. B.B./W.B.
Small/Medium Deciduous			
AC Amelanchier canadensis	Serviceberry	39	50mm Cal. B.B./W.B.
CP Cornus alternifolia	Pagoda Dogwood	5	50mm Cal. B.B./W.B.
HP Hydrangea paniculata 'Grandiflora'	Hydrangea (Tree Form)	8	30mm Cal. B.B./W.B.
Coniferous			
PG Picea glauca	White Spruce	29	1.8 m Ht. B.B./W.B.
PP Picea pungens	Colorado Spruce	13	1.8 m Ht. B.B./W.B.
PS Pinus strobus	White Pine	13	1.8 m Ht. B.B./W.B.
TO Thuja occidentalis 'Smaragd'	Emerald Cedar	0	1.8 m Ht. B.B./W.B.

Shrubs (Quantities to be completed during design development)

CS Cornus sericea 'Farrow'	Arctic Fire Dogwood	0	450mm Ht.
EF Euonymus fortunei 'Sarcocoe'	Sarcocoe Euonymus	0	450mm Ht.
SB Spirea betulifolia 'Tor'	Tor spirea	0	450mm Ht.
HP Hydrangea paniculata 'Little Quickfire'	Little Quickfire Hydrangea	0	450mm Ht.
HA Hydrangea anomala petiolaris	Climbing Hydrangea	0	450mm Ht.
JC Juniperus chinensis 'Monlep'	'Mint Julep' Juniper	0	450mm Spr.
MS Magnolia stellata 'Royal Star'	Royal Star Magnolia	0	1200mm Ht.
RA Rhus aromatica 'Grow-Low'	Low Grow Sumac	0	450mm Ht.
RM Rosa 'Morden Centennial'	Morden Centennial Rose	0	450mm Ht.
TM Taxus media densiformis	Densiform Yew	0	450mm Spr.
Perennials			
Astilbe sp.		0	1 Gal. Potted
Astilbe sp.		0	1 Gal. Potted
EP Echinacea purpurea	Purple Coneflower	0	1 Gal. Potted
GM Geranium macrorrhizum	Cranesbill Geranium	0	1 Gal. Potted
Heuchera sp.		0	1 Gal. Potted
Hosta sp.		0	1 Gal. Potted
Hosta sp.		0	1 Gal. Potted
NF Nepeta x faassenii 'Walkers Low'	Walkers Low Catmint	0	1 Gal. Potted
PS Phlox subulata 'Purple Beauty'	Creeping Phlox	0	1 Gal. Potted
SS Sedum spectabile	Autumn Joy Sedum	0	1 Gal. Potted
Ornamental Grasses			
CA Calamagrostis acutiflora	Foerster's Feather Reed Grass	0	1 Gal. Potted
CM Carex morrowii 'Flacca'	Blue Zinger Japanese Sedge	0	1 Gal. Potted
SS Schizachyrium scoparium	Little Bluestem	0	1 Gal. Potted

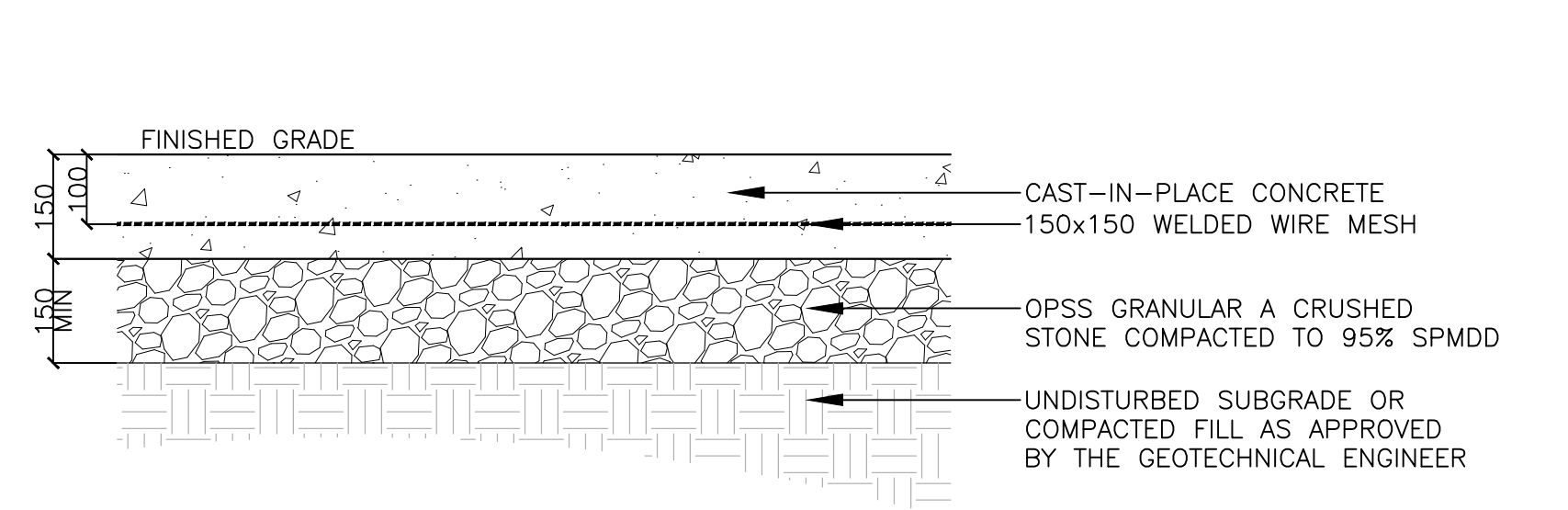
NATIVE TREE / SHRUB MIX FOR SLOPES AREA 850m² - 1062 plants

APPROX. % Trees	Botanical Name	Common Name	Quantity	Size
Deciduous				
5	Acer saccharum	Sugar Maple	53	20mm cal.
5	Betula populifolia 'Whitespire'	Whitespire Birch	53	20mm cal.
2.5	Larix laricina	Tamarack	26	20mm cal.
5	Ulmus morton	Accolade Elm	53	20mm cal.
Coniferous				
5	Picea glauca	White Spruce	53	1.0 m Ht. B.B./W.B.
2.5	Pinus strobus	White Pine	26	1.0 m Ht. B.B./W.B.
Shrubs				
5	Diervilla lonicera	Bush honeysuckle	53	40cm HT. BAREROOT OR CONT.#1
50	Rhus typhina	Staghorn sumac	531	40cm HT. BAREROOT OR CONT.#1
10	Rosa rugosa	Rugosa rose	107	40cm HT. BAREROOT OR CONT.#1
10	Ribes alpinum	Alpine current	107	40cm HT. BAREROOT OR CONT.#1



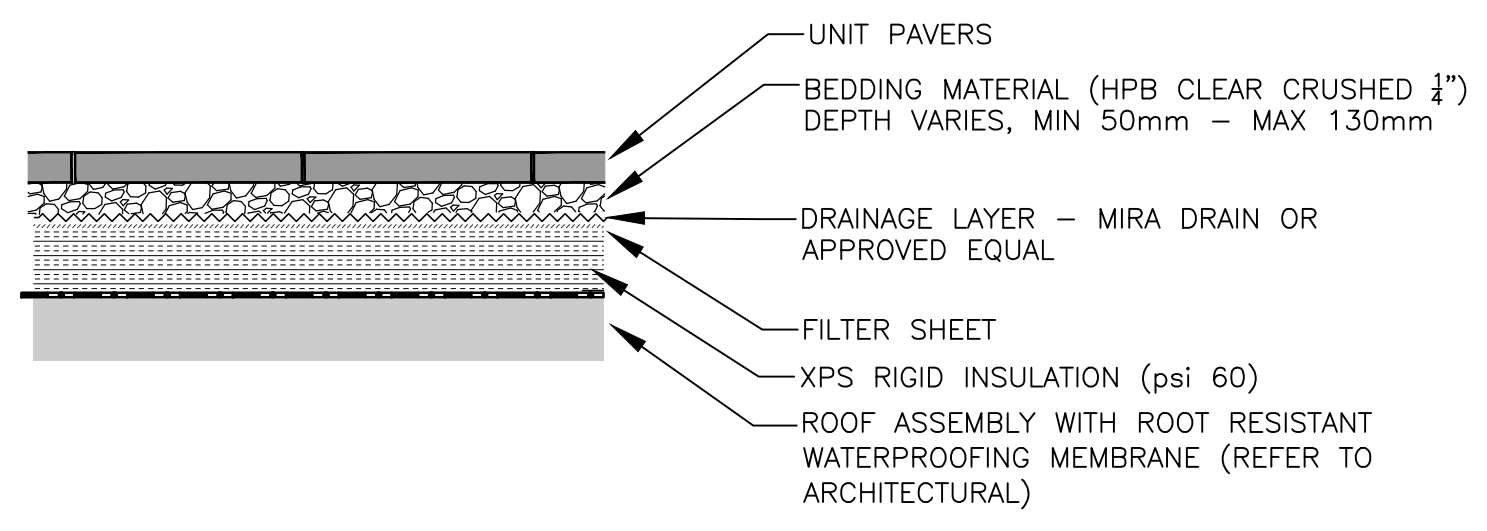
Label Save: 2021-12-15 15:57:05 PM
 File Location: Z:\Projects\2051-01 Le Groupe Maurice\Drawings\SPA_03\2051-01 Le Groupe Maurice_DD_30%\Landscape.dwg

D07-12-20-0165

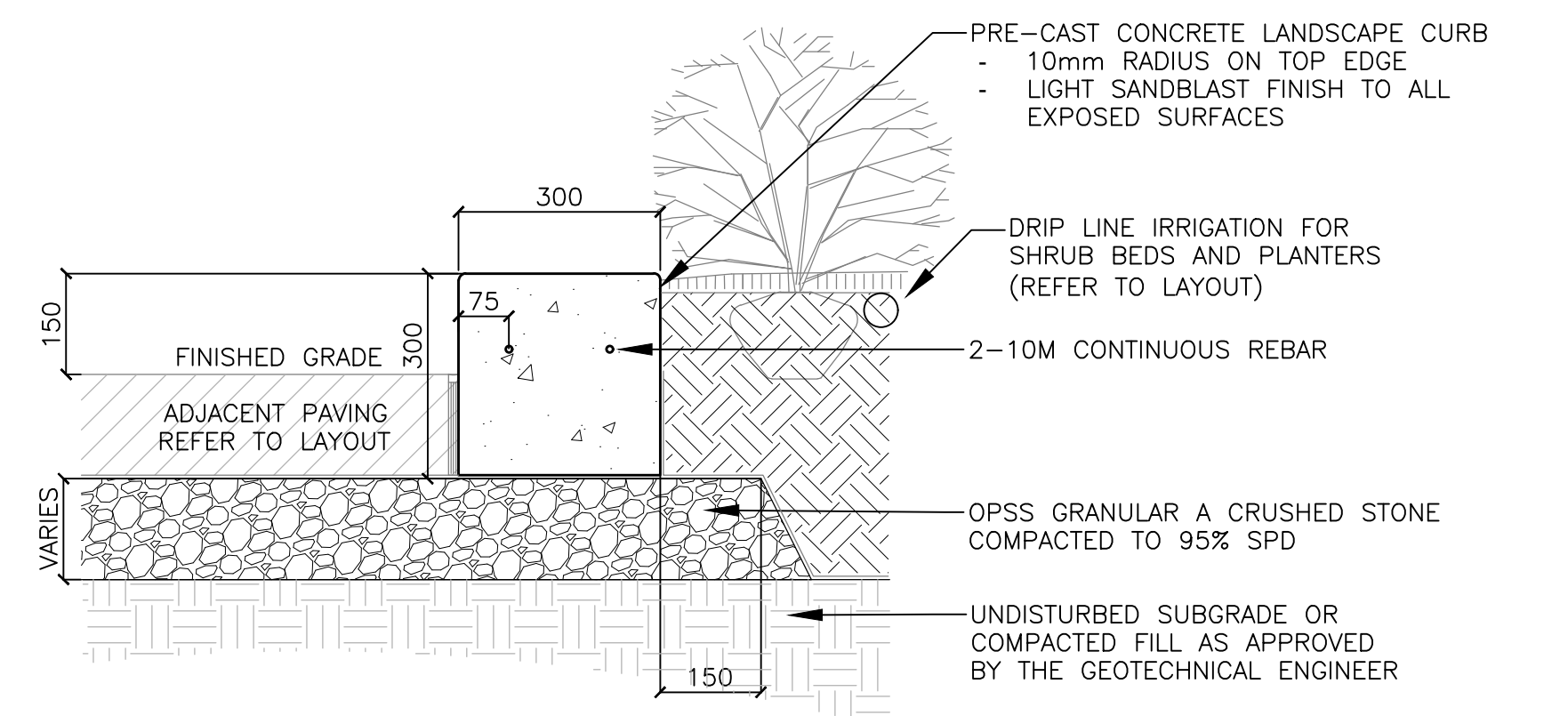


1 CONCRETE PAVING Scale 1:10

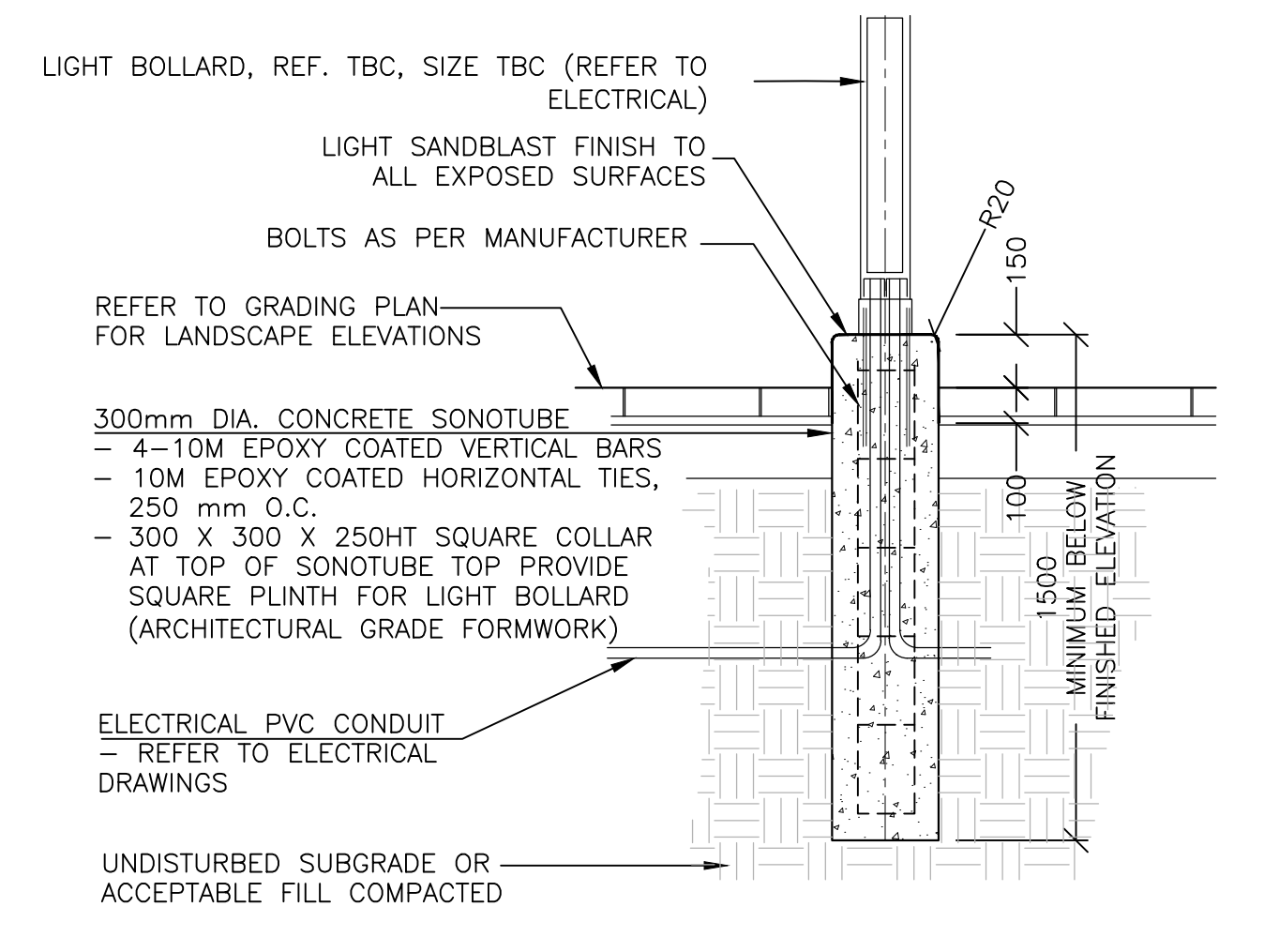
NOTES:
 UNIT PAVER TYPE 4: PAVERS TO BE BLU 60, BY TECO BLOC OR APPROVED EQUAL, SIZES 330X165X60, 330X330X60 AND 330X495X60, RANDOM LAYING PATTERN, COLOUR TBC



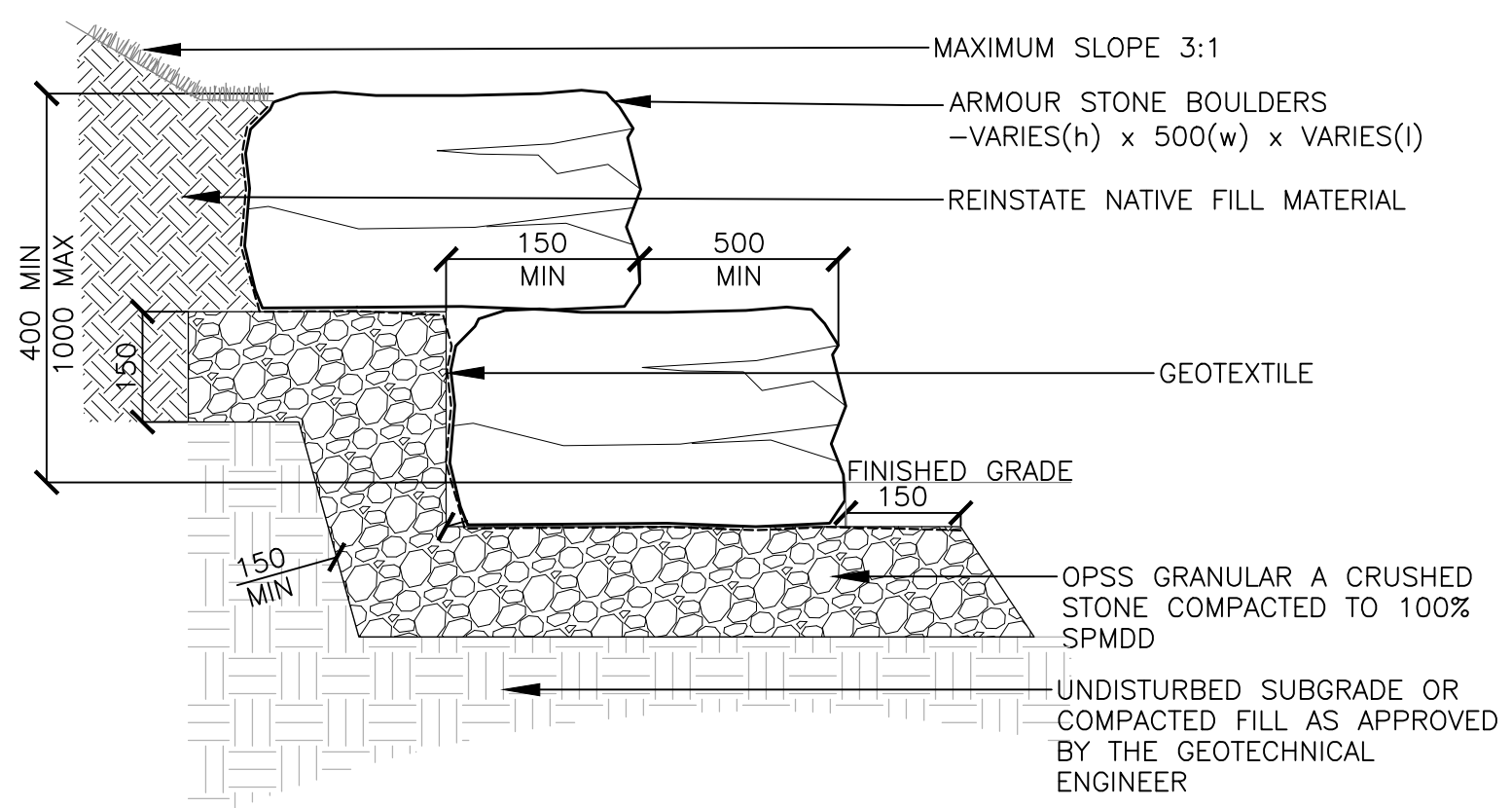
4 UNIT PAVING OVER ROOF SLAB Scale 1:10



7 LANDSCAPE CURB Scale 1:10

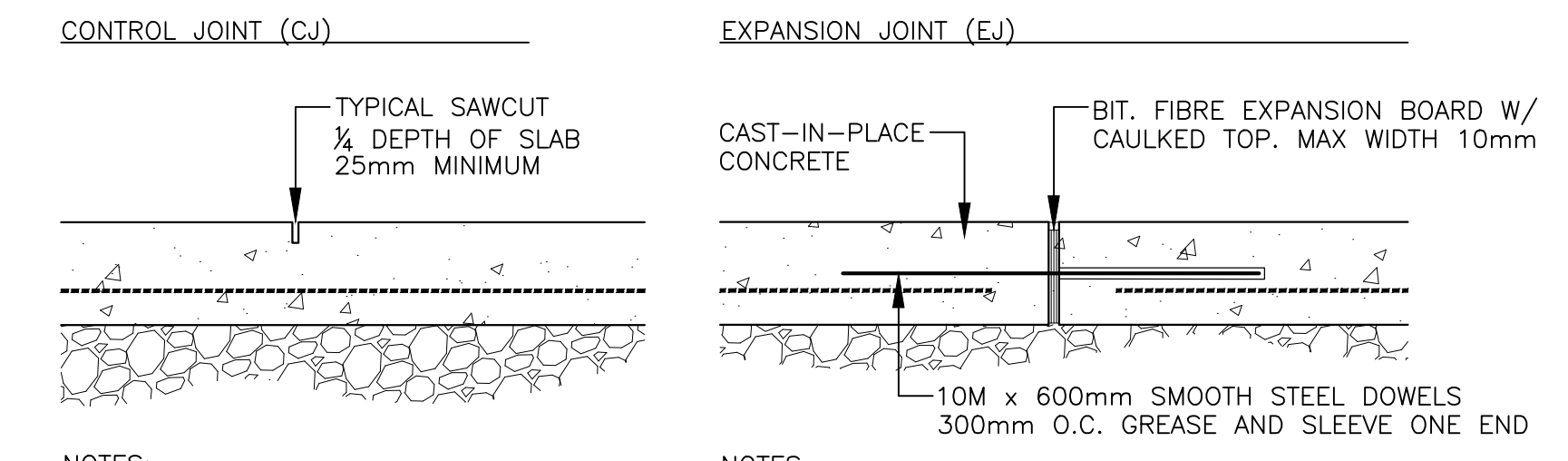


10 LIGHT BOLLARD Scale 1:10



NOTES:
 1. ARMOUR STONE WALL TO STEP AS REQUIRED. REFER TO GRADING PLAN FOR ELEVATIONS
 • DO NOT SLOPE TOP OF WALL
 2. ENSURE ALL EXPOSED EDGES ARE BLUNTED/EASED TO TO 6mm MINIMUM
 3. MAXIMUM GAP BETWEEN BOULDERS IS 50mm.
 4. MAXIMUM EXPOSED FACE/STEP IS 600mm (TYPICAL)
 5. EXCAVATION AND SUBGRADE CONDITION TO BE REVIEWED BY GEOTECHNICAL ENGINEER
 6. FOR WALLS GREATER THAN 1.0m HEIGHT, ENGINEER STAMPED SHOP DRAWINGS ARE REQUIRED TO BE SUBMITTED FOR REVIEW PRIOR TO CONSTRUCTION

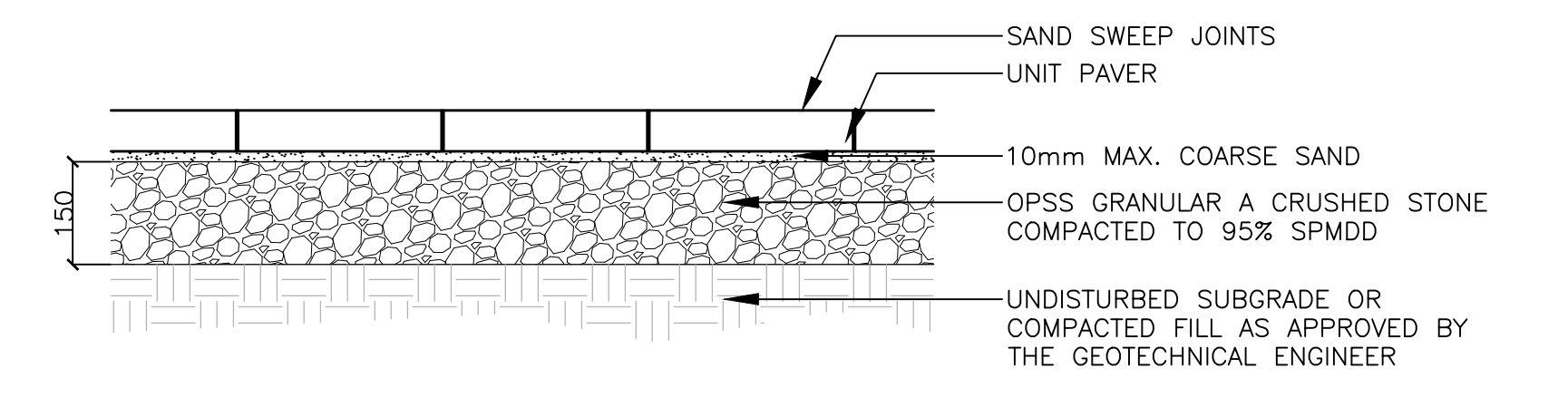
11 ARMOUR STONE RETAINING WALL Scale 1:10



NOTES:
 1. REFER TO DRAWINGS FOR JOINT LAYOUT
 2. SAWCUT WITHIN 48 HOURS OF POUR
 3. NO TOOLED EDGES

NOTES:
 1. REFER TO DRAWINGS FOR JOINT LAYOUT AND SANDBLAST FINISH PATTERN
 2. ALL STEEL DOWELS TO BE EPOXY - COATED
 3. NO TOOLED EDGES

2 CONCRETE PAVING JOINTS Scale 1:10



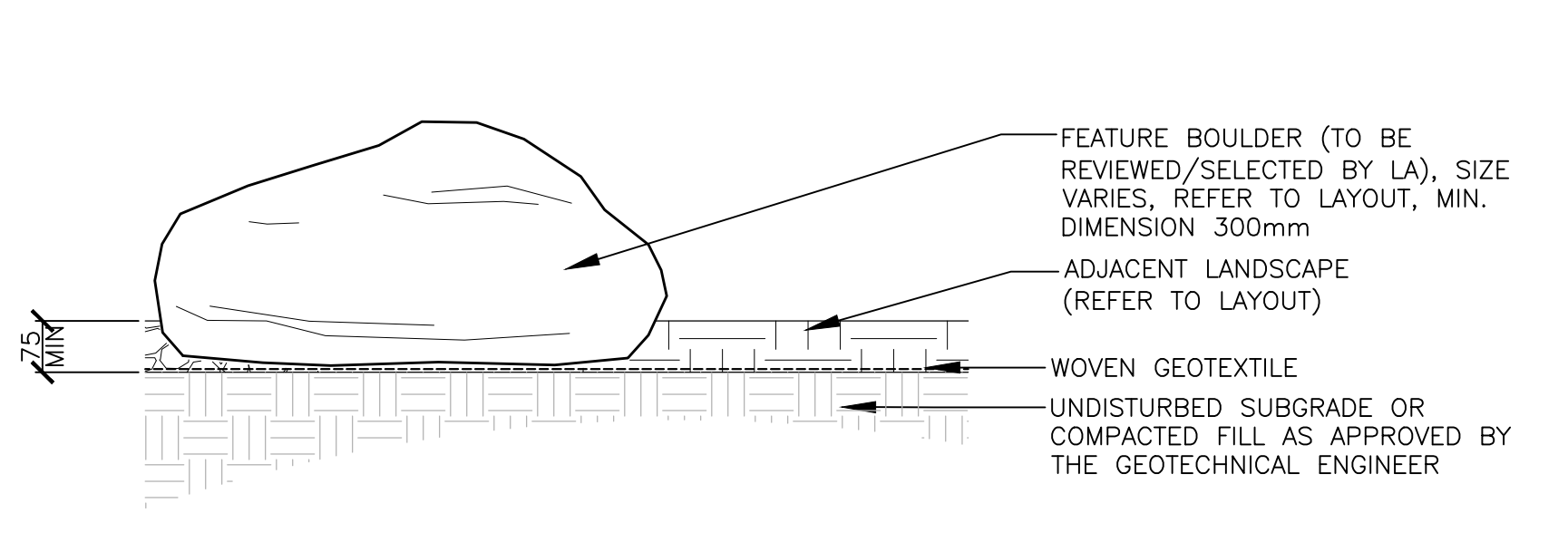
FOR PAVER TYPE, REFER TO LAYOUT DRAWING

UNIT PAVER TYPE 1: EXISTING RED UNIT PAVERS SALVAGED FROM SITE

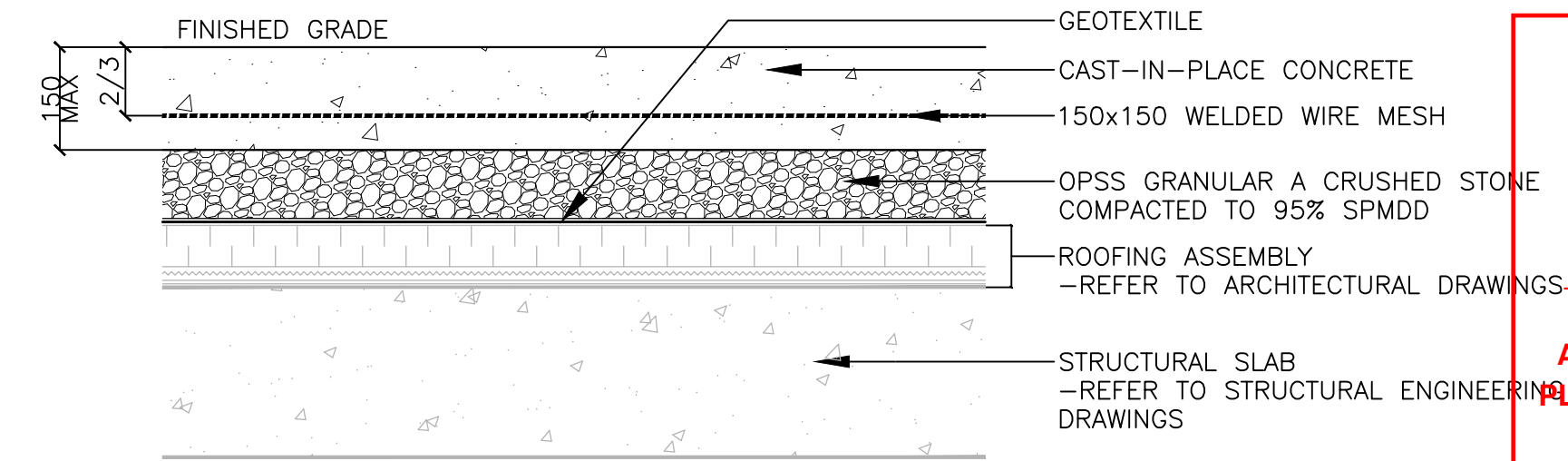
UNIT PAVER TYPE 2: RED COLOUR UNIT PAVER TO MATCH EXISTING UNIT PAVERS USED ON ADJACENT SITE (SPECIFICATION TBC)

UNIT PAVER TYPE 3: BUFF COLOUR UNIT PAVER TO MATCH EXISTING UNIT PAVERS ON ADJACENT SITE (SPECIFICATION TBC)

5 UNIT PAVING Scale 1:10

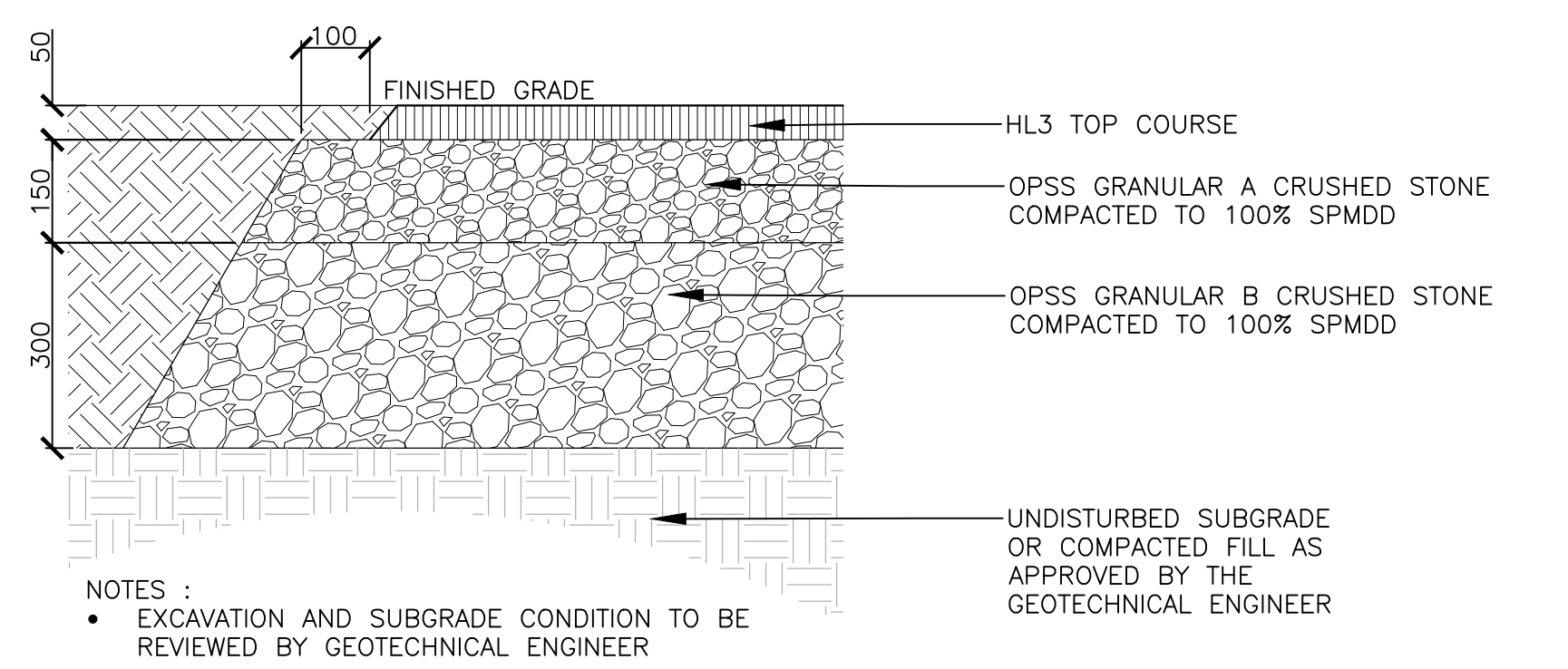


8 LANDSCAPE BOULDERS Scale 1:10

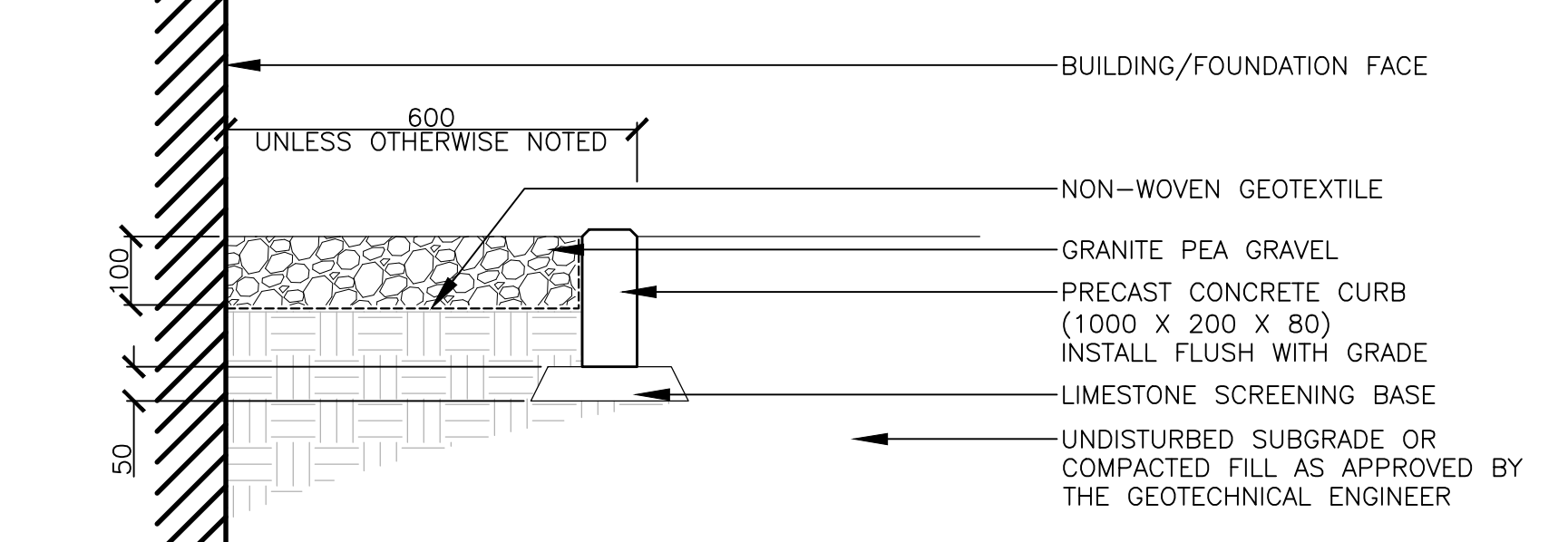


NOTES:
 1. REFER TO DRAWINGS FOR JOINT LAYOUT AND SANDBLAST FINISH PATTERN
 2. ALL STEEL DOWELS TO BE EPOXY - COATED
 3. NO TOOLED EDGES

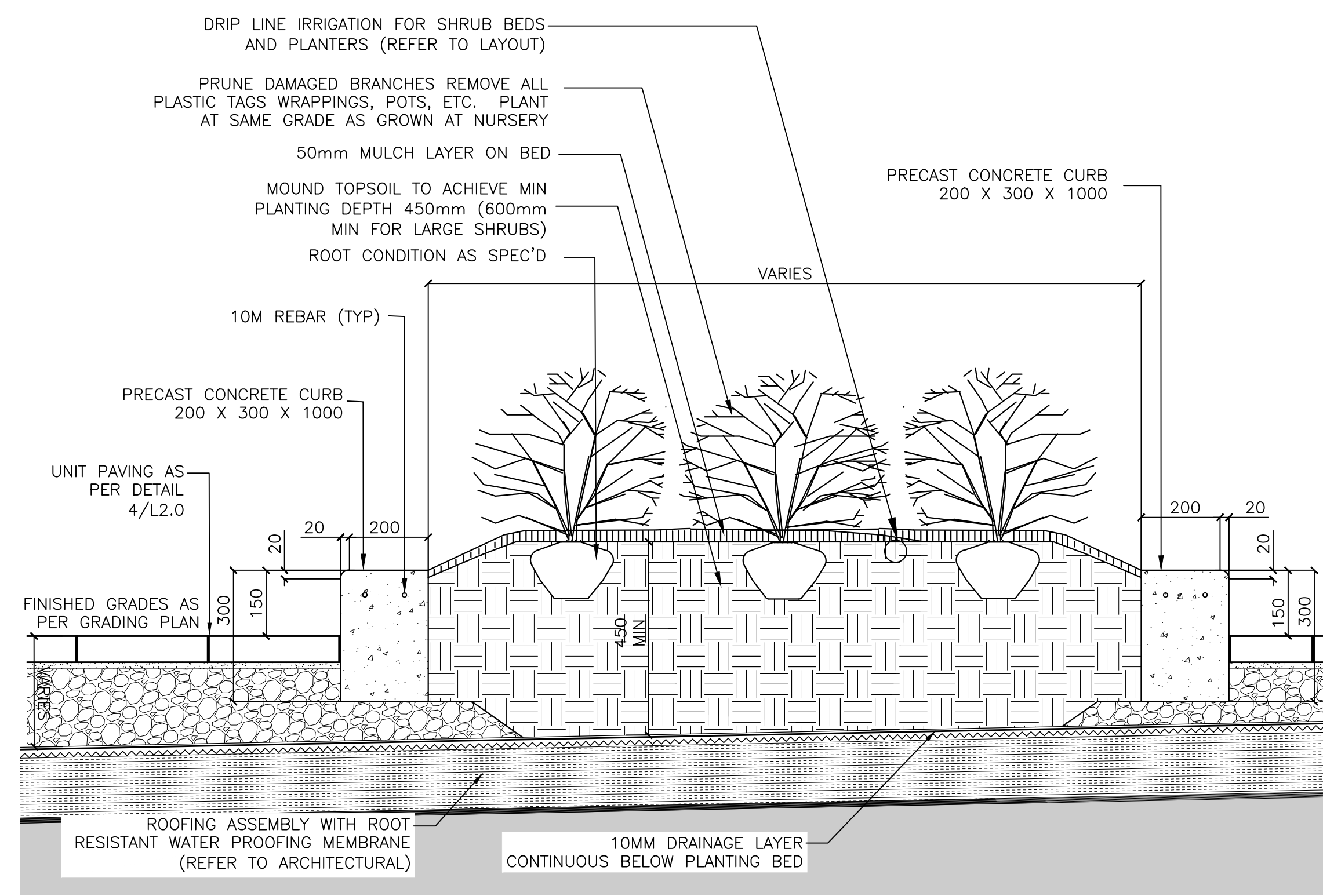
3 CONCRETE PAVING OVER ROOF SLAB Scale 1:10



6 ASPHALT PAVING (LIGHT DUTY) Scale 1:10



9 MAINTENANCE EDGE Scale 1:10



12 PLANTER CURB OVER ROOF SLAB Scale 1:10

Key Plan

G. Wildman

GERALDINE WILDMAN
 A/MANAGER, DEVELOPMENT REVIEW EAST BRANCH
 PLANNING, REAL ESTATE & ECONOMIC DEVELOPMENT
 DEPARTMENT, CITY OF OTTAWA

APPROVED
 By Geraldine Wildman at 4:58 pm, Feb 10, 2022

No.	Revision	Date
6	ISSUED FOR SPA, ZONING AND OPA	01 09 2021
5	RE-ISSUED FOR SPA	16 04 2021
4	ISSUED FOR SPA	20 11 2020
3	ISSUED FOR CO-ORDINATION	05 08 2020
2	ISSUED FOR CO-ORDINATION	27 07 2020
1	ISSUED FOR REVIEW	09 07 2020

North: Stamp:

CSW Landscape Architecture
 Urban Design
 Site Planning
 Recreation and Park Planning
 Project Management

319 McRae Avenue, Suite 502, Ottawa, Ontario, K1Z 0B9
 Tel: (613) 729-4536

- All measurements in millimeters unless specified otherwise. Do not scale drawing. All drawings to be read in conjunction with written specifications.
- Copyright reserved. This drawing is the exclusive property of CSW Landscape Architects Ltd. and shall not be used without the consent thereof.
- This Drawing may not be used for construction until signed by the landscape architect. It is the responsibility of the contractor to:
 - check and verify all dimensions on site;
 - report all errors and/or omissions to the landscape architect;
 - comply with all pertinent codes and by-laws;
 - check and verify locations of all underground services with all local utilities prior to any digging.

Project:
**Le Groupe Maurice
 Centrum Retirement**

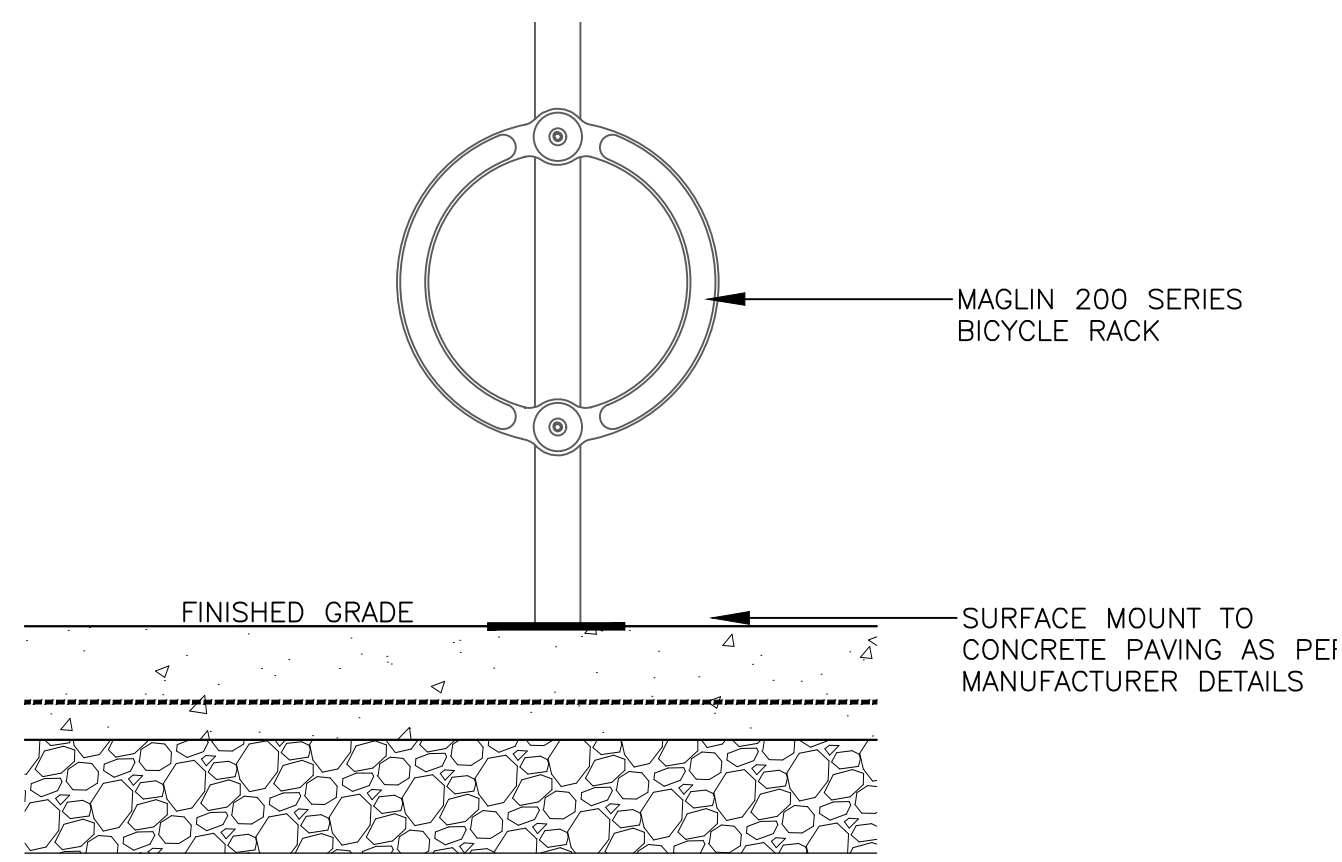
211 Centrum Blvd.
 OTTAWA., ONTARIO

Drawing:
LANDSCAPE DETAILS

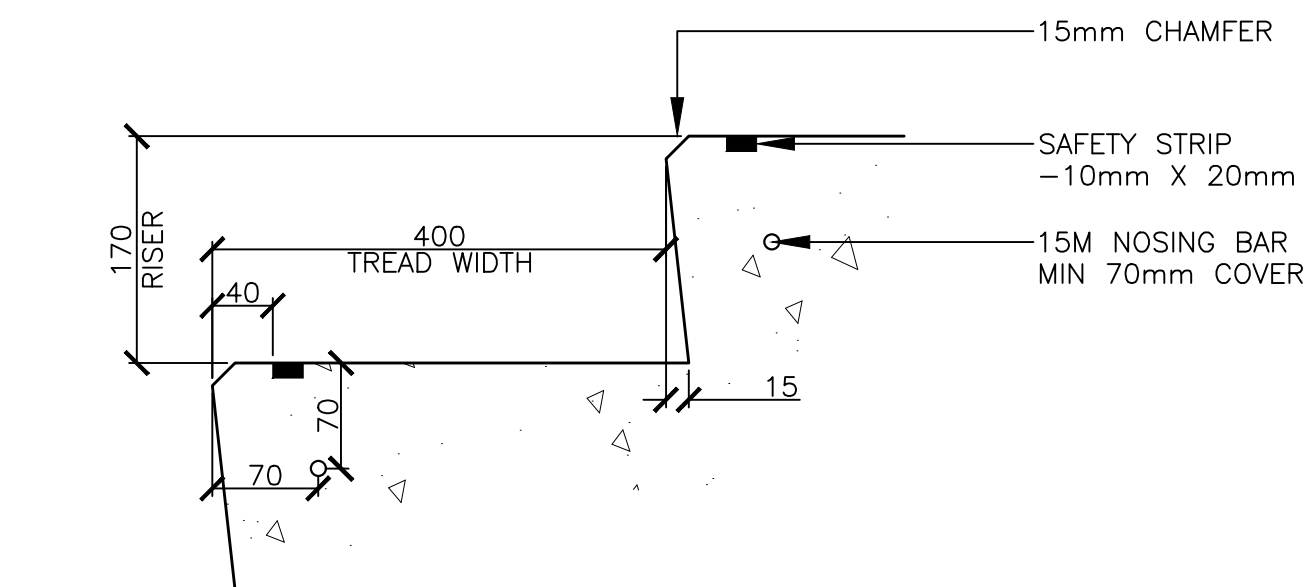
Scale: Date: May 2020
 Design By: SE Drawn By: SE
 Project Number: 2051-01 Sheet Number: L 2.0

Label Saved: 2021-08-01 1:22:32 PM
 File Location: Z:\Projects\2051-01 Le Groupe Maurice\Drawings\SPA_02\Details\DWG

D07-12-20-0165

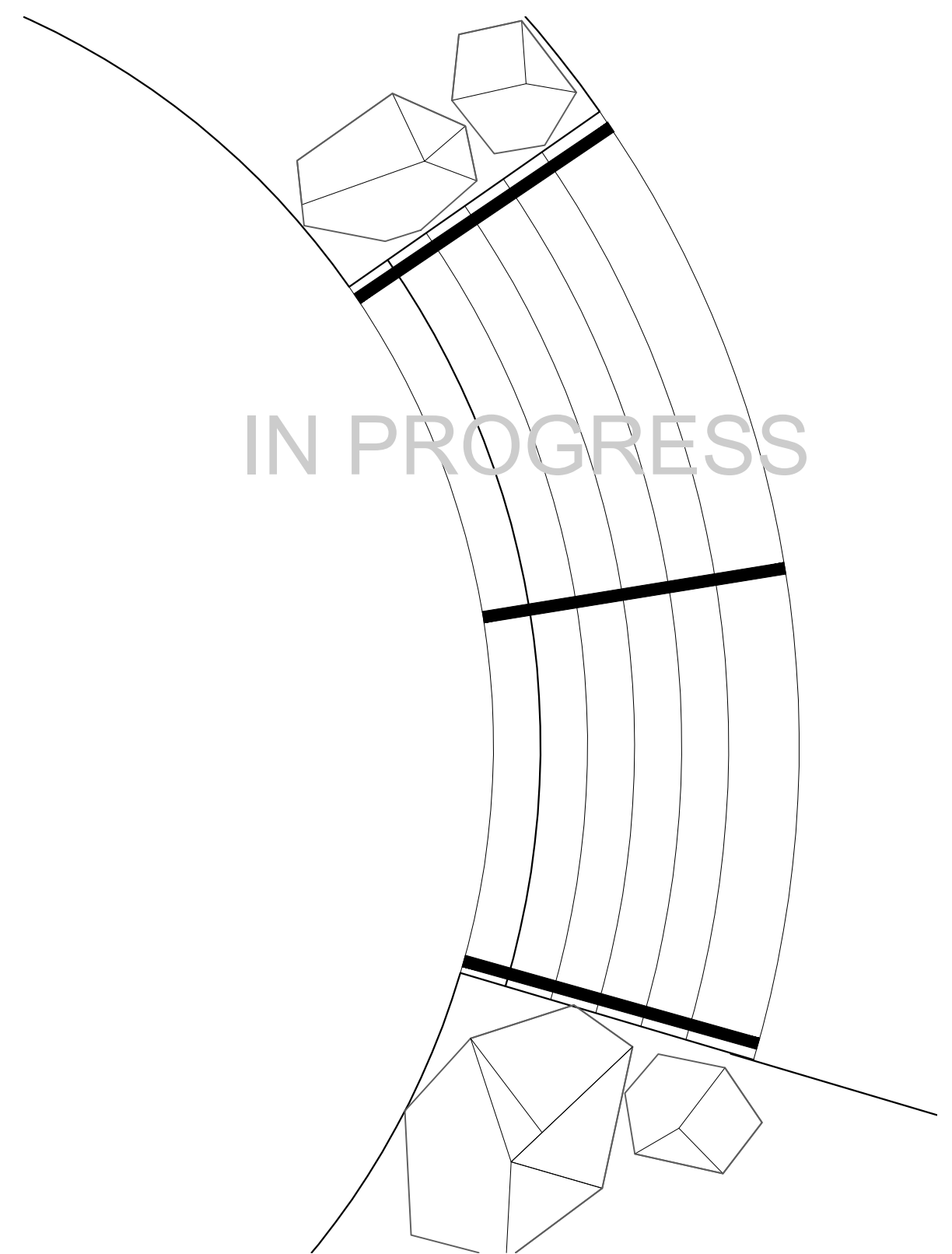


1 BICYCLE RACK Scale 1:10

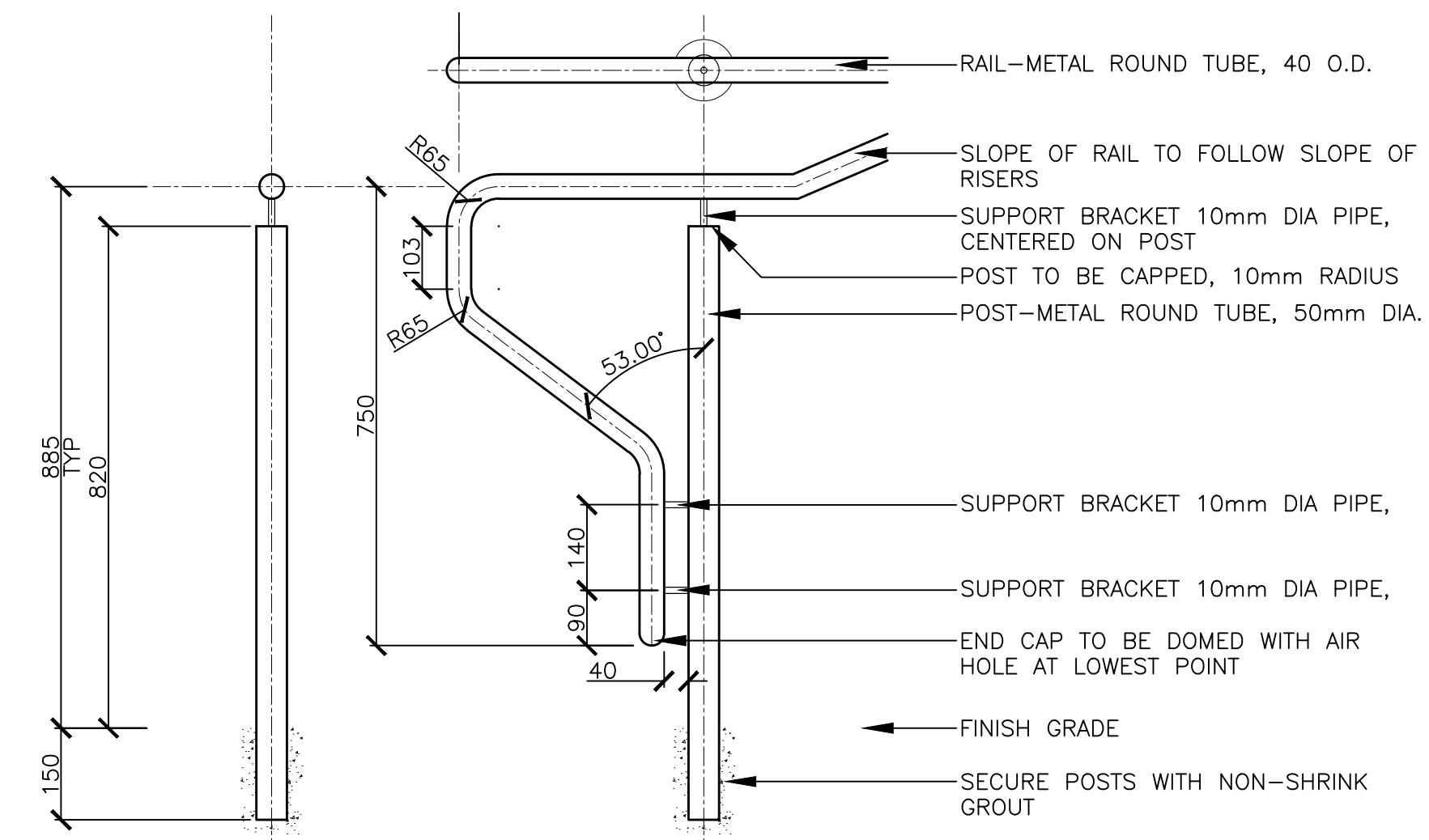


- NOTES:
- ALL RISERS AS PART OF SET OF STAIRS SHALL HAVE THE SAME HEIGHT AND WIDTH OF TREAD
 - SAFETY STRIP
 - CARBORUNDUM / EPOXY MIX
 - RAISED TEXTURE SET INTO EACH STAIR TREAD
 - TERMINATE SAFETY STRIP 50mm FROM EDGE OF STAIRS
 - SLOPE TREADS TO DRAIN AT 1% (ENSURE POSITIVE DRAINAGE ON ALL TREADS)
 - ALL EXPOSED SURFACES TO BE TROWELED WITH MEDIUM SANDBLAST FINISH (ENSURE NON SLIP SURFACE)
 - REFER TO CIVIL FOR GRADING AND RISER HEIGHTS

4 TREAD AND RISER Scale 1:5

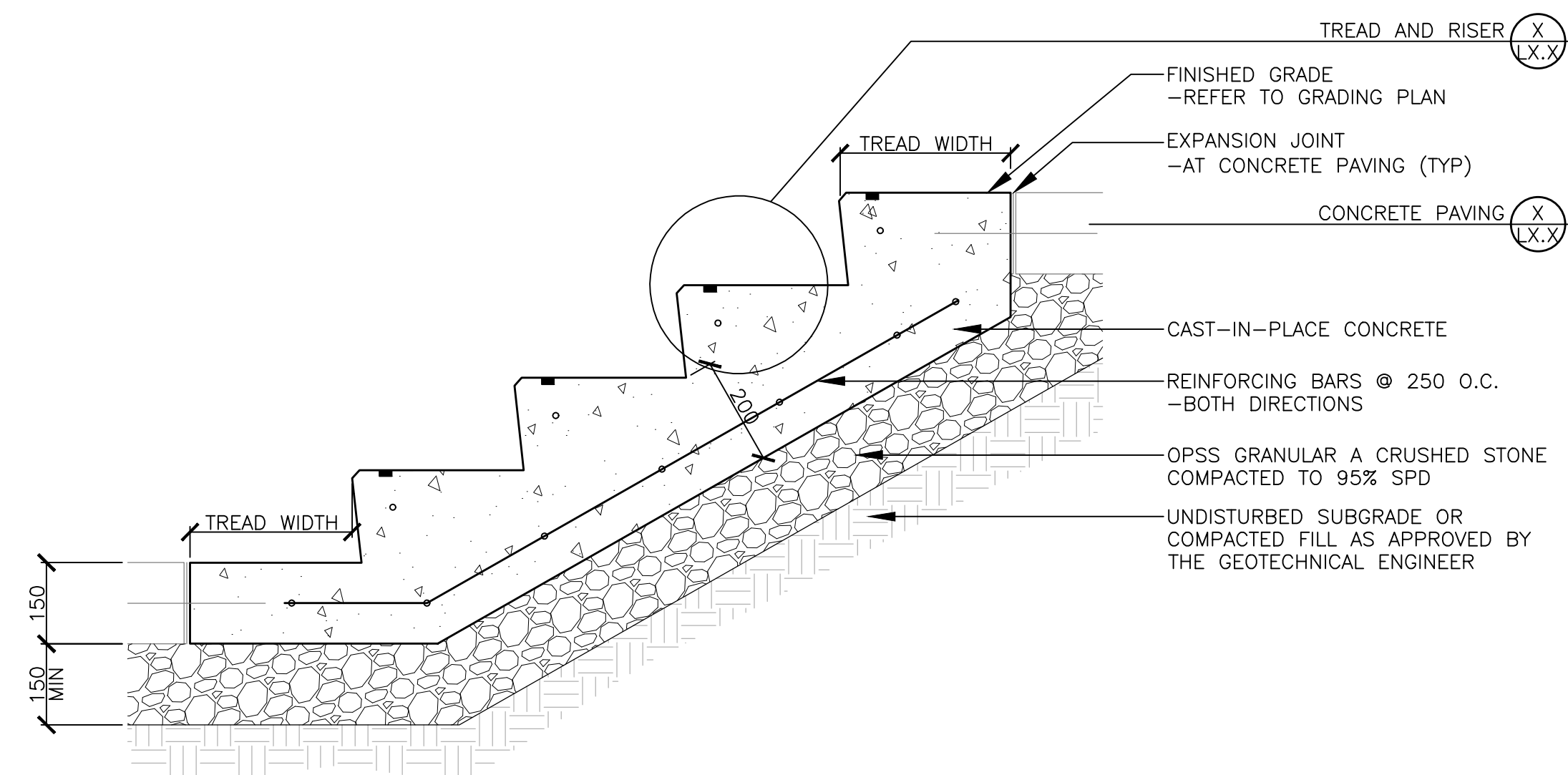


2 CONCRETE STEPS (PLAN VIEW) Scale 1:10



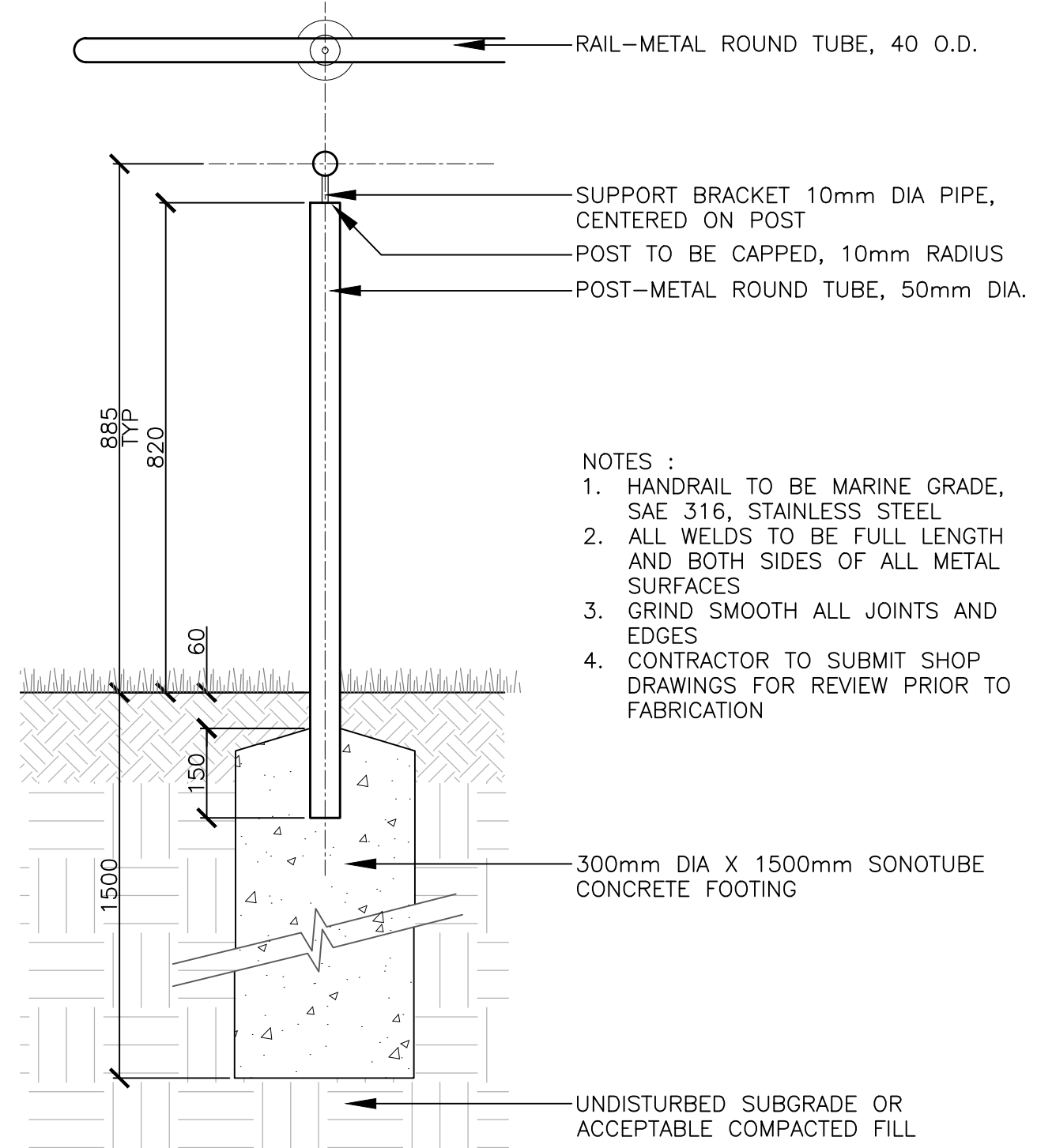
- NOTES:
1. HANDRAIL TO BE MARINE GRADE, SAE 316, STAINLESS STEEL
 2. ALL WELDS TO BE FULL LENGTH AND BOTH SIDES OF ALL METAL SURFACES
 3. GRIND SMOOTH ALL JOINTS AND EDGES
 4. CONTRACTOR TO SUBMIT SHOP DRAWINGS FOR REVIEW PRIOR TO FABRICATION

5 HANDRAIL AT CONCRETE STEPS Scale 1:10



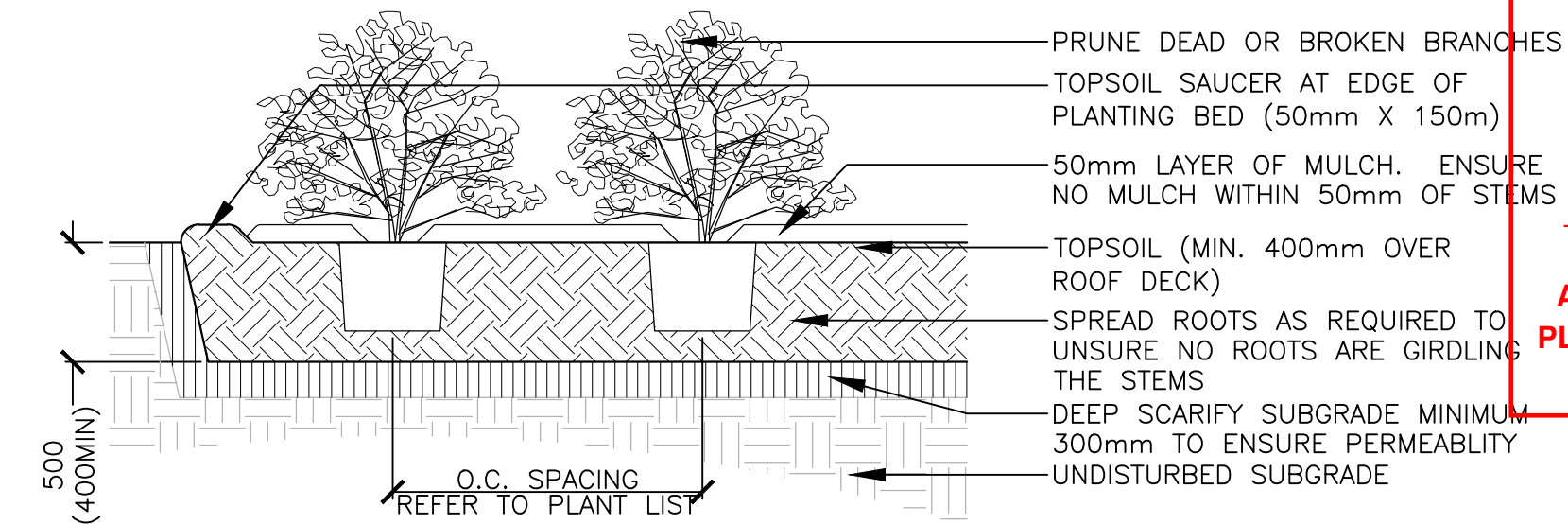
- NOTES:
- GRANULAR BASE TO BE INSPECTED AND APPROVED BY GEOTECHNICAL ENG.
 - COMPACT GRANULARS TO 98% SPD. BEFORE CONCRETE PLACEMENT.
 - ALL REINFORCING IN STAIRS TO BE 15M EPOXY-COATED
 - MAINTAIN 70MM. COVER OVER REINFORCING IN CONCRETE.

3 CONCRETE STEPS (CROSS SECTION) Scale 1:10



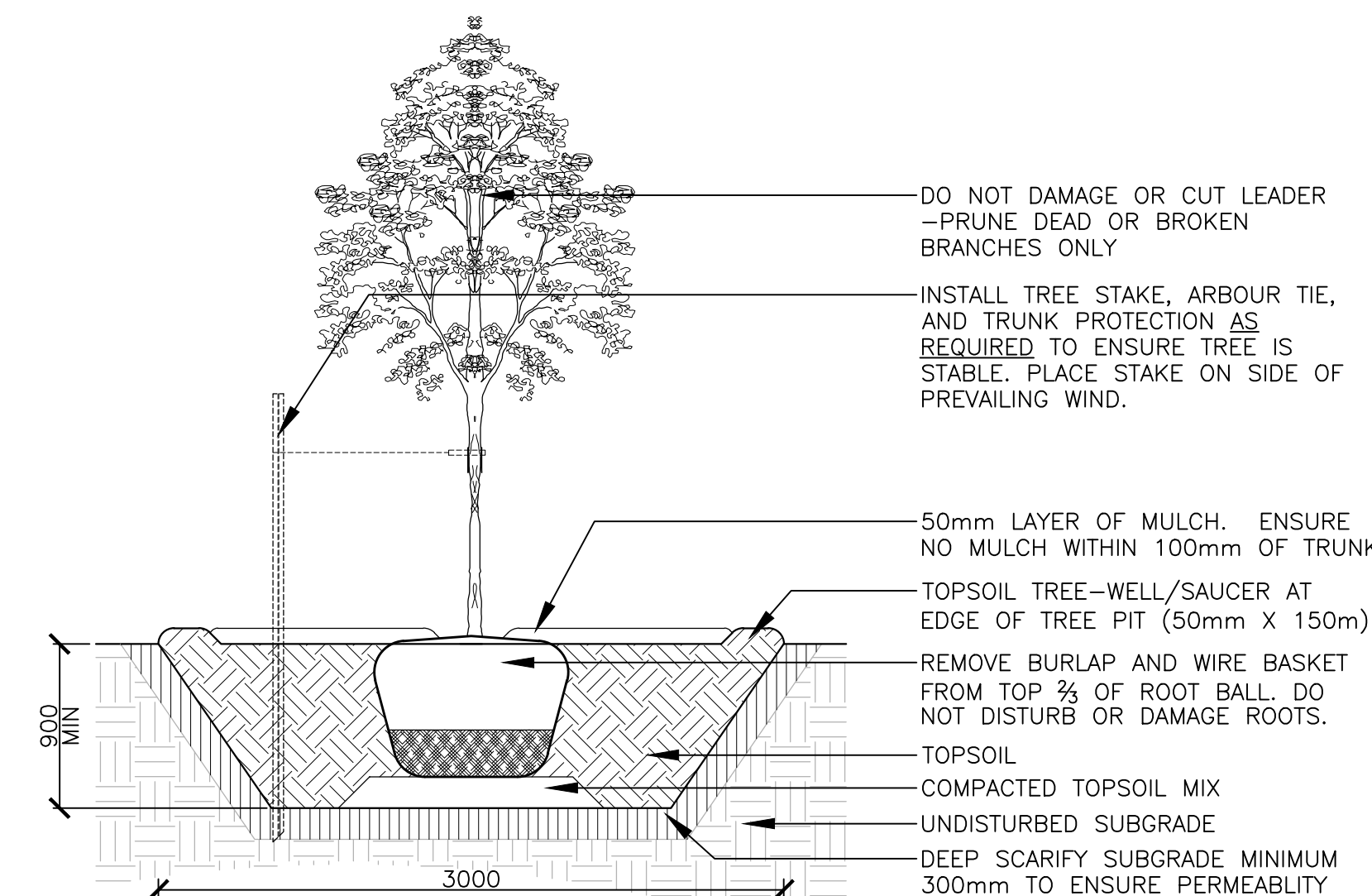
- NOTES:
1. HANDRAIL TO BE MARINE GRADE, SAE 316, STAINLESS STEEL
 2. ALL WELDS TO BE FULL LENGTH AND BOTH SIDES OF ALL METAL SURFACES
 3. GRIND SMOOTH ALL JOINTS AND EDGES
 4. CONTRACTOR TO SUBMIT SHOP DRAWINGS FOR REVIEW PRIOR TO FABRICATION

6 HANDRAIL AT PATHWAY Scale 1:10



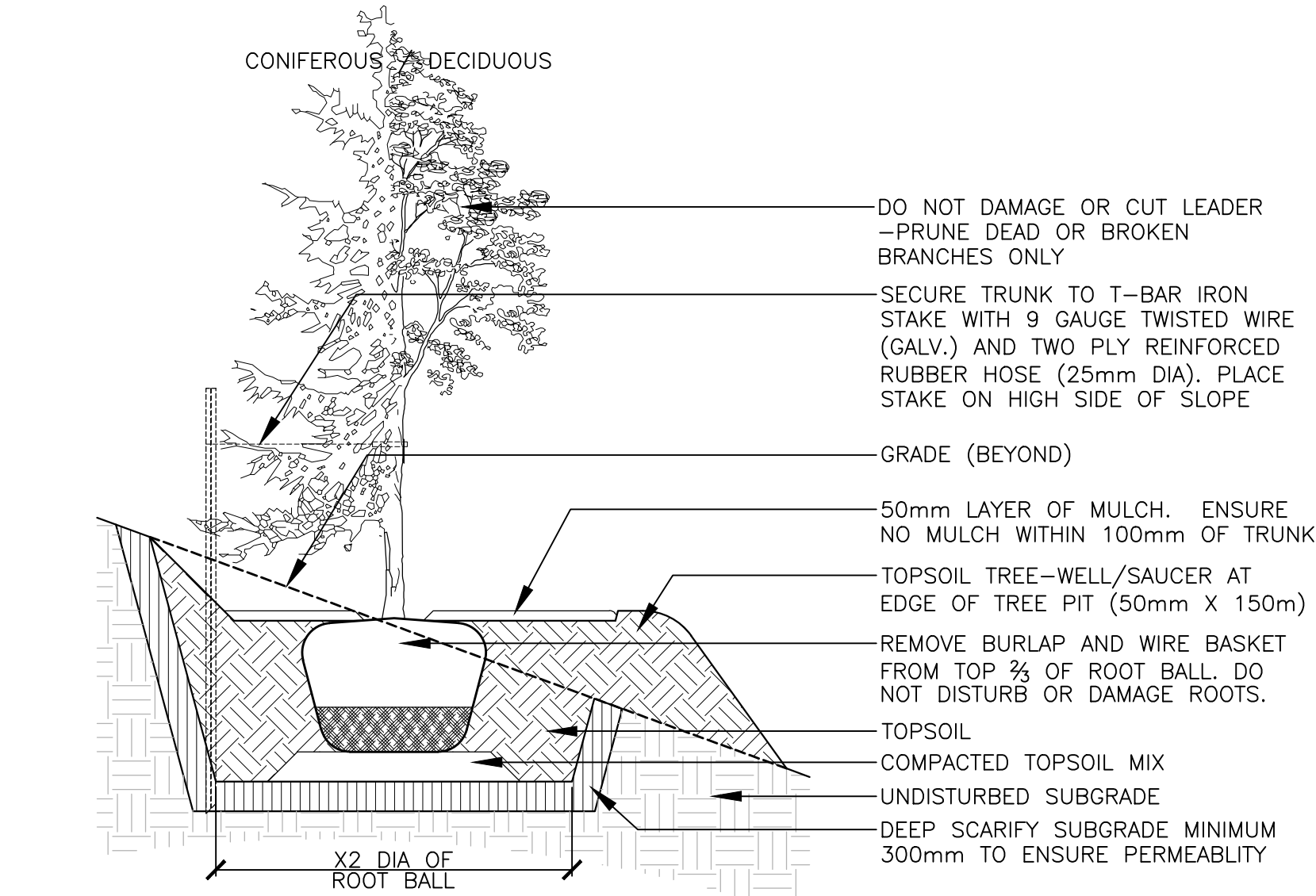
- NOTES:
- TOP OF ROOT BALL TO RETAIN SAME ELEVATION AS GROWING CONDITIONS

7 SHRUB PLANTING Scale 1:30



- NOTES:
- TREE STAKES ARE GENERALLY ARE TO BE USED FOR CONDITIONS WHERE THE INSTALLED TREE IS UNSTABLE AND/OR BECOMES UNSTABLE
 - ALLOW 10mm TO 25mm SLACK ON ARBOUR TIE SUPPORT FOR TREE
 - TOP OF ROOT BALL TO RETAIN SAME ELEVATION AS GROWING CONDITIONS
 - REMOVE STAKES ONE YEAR AFTER INSTALL
 - INSTALL STAKE BEYOND EDGE OF ROOT BALL

8 TREE PLANTING Scale 1:30



- NOTES:
- CUT AND FILL SLOPES SHALL BE 3:1 MAXIMUM
 - TOP OF ROOT BALL TO RETAIN SAME ELEVATION AS GROWING CONDITIONS
 - ALLOW 10mm TO 25mm SLACK ON GUY WIRE SUPPORT FOR TREE
 - REMOVE STAKES ONE YEAR AFTER INSTALL
 - INSTALL STAKE BEYOND EDGE OF ROOT BALL

9 TREE PLANTING ON SLOPE Scale 1:30

Key Plan

 GERALDINE WILDMAN
 A/MANAGER, DEVELOPMENT REVIEW EAST BRANCH
 PLANNING, REAL ESTATE & ECONOMIC DEVELOPMENT
 DEPARTMENT, CITY OF OTTAWA

APPROVED
 By Geraldine Wildman at 4:58 pm, Feb 10, 2022

No.	Revision	Date
6	ISSUED FOR SPA, ZONING AND OPA	01 09 2021
5	RE-ISSUED FOR SPA	16 04 2021
4	ISSUED FOR SPA	20 11 2020
3	ISSUED FOR CO-ORDINATION	05 08 2020
2	ISSUED FOR CO-ORDINATION	27 07 2020
1	ISSUED FOR REVIEW	09 07 2020

North: Stamp:

CSW
 Landscape Architecture
 Urban Design
 Site Planning
 Recreation and Park Planning
 Project Management

319 McRae Avenue, Suite 502, Ottawa, Ontario, K1Z 0B9
 Tel: (613) 729-4536

1. All measurements in millimeters unless specified otherwise. Do not scale drawing. All drawings to be read in conjunction with written specifications.
2. Copyright reserved. This drawing is the exclusive property of CSW Landscape Architects Ltd. and shall not be used without the consent thereof.
3. This Drawing may not be used for construction until signed by the landscape architect. It is the responsibility of the contractor to:
 - check and verify all dimensions on site;
 - report all errors and/or omissions to the landscape architect;
 - comply with all pertinent codes and by-laws;
 - check and verify locations of all underground services with all local utilities prior to any digging.

Project:
**Le Groupe Maurice
 Centrum Retirement**
 211 Centrum Blvd.
 OTTAWA., ONTARIO

Drawing:
LANDSCAPE DETAILS

Scale:	Date: May 2020
Design By: SE	Drawn By: SE
Project Number: 2051-01	Sheet Number: L 2.1

Label Saved: 2021-09-01 3:22:32 PM
 File Location: Z:\Projects\2051-01 Le Groupe Maurice\Drawings\SPA_02\Details\01.dwg

D07-12-20-0165