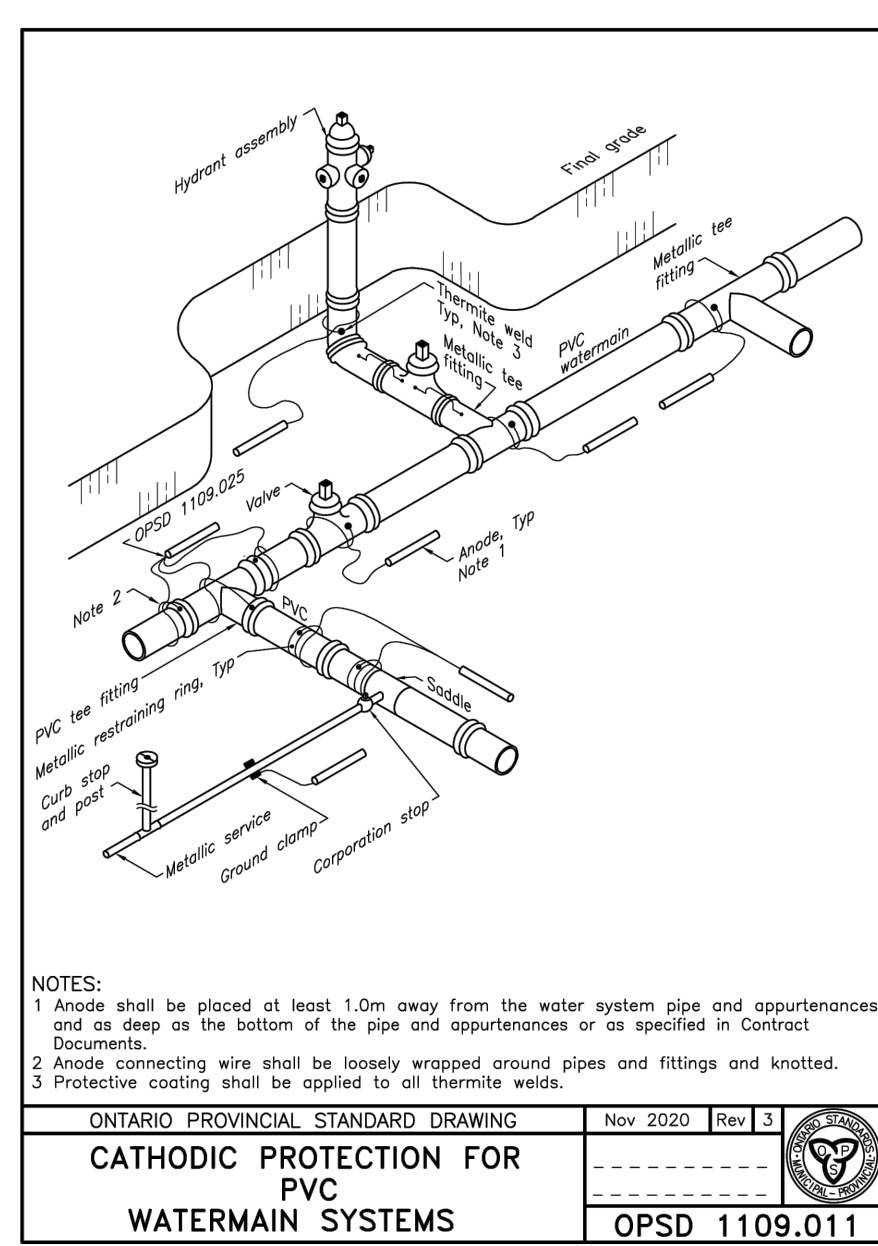
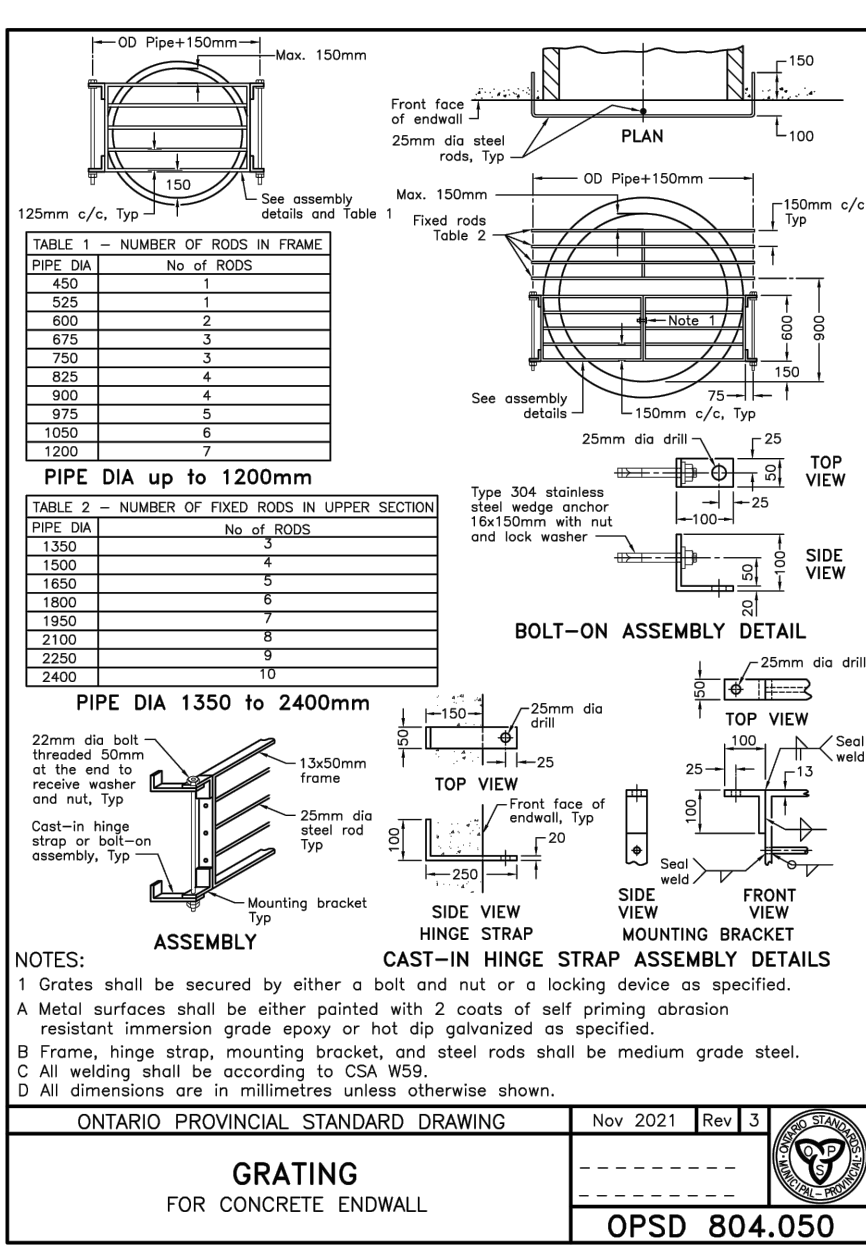
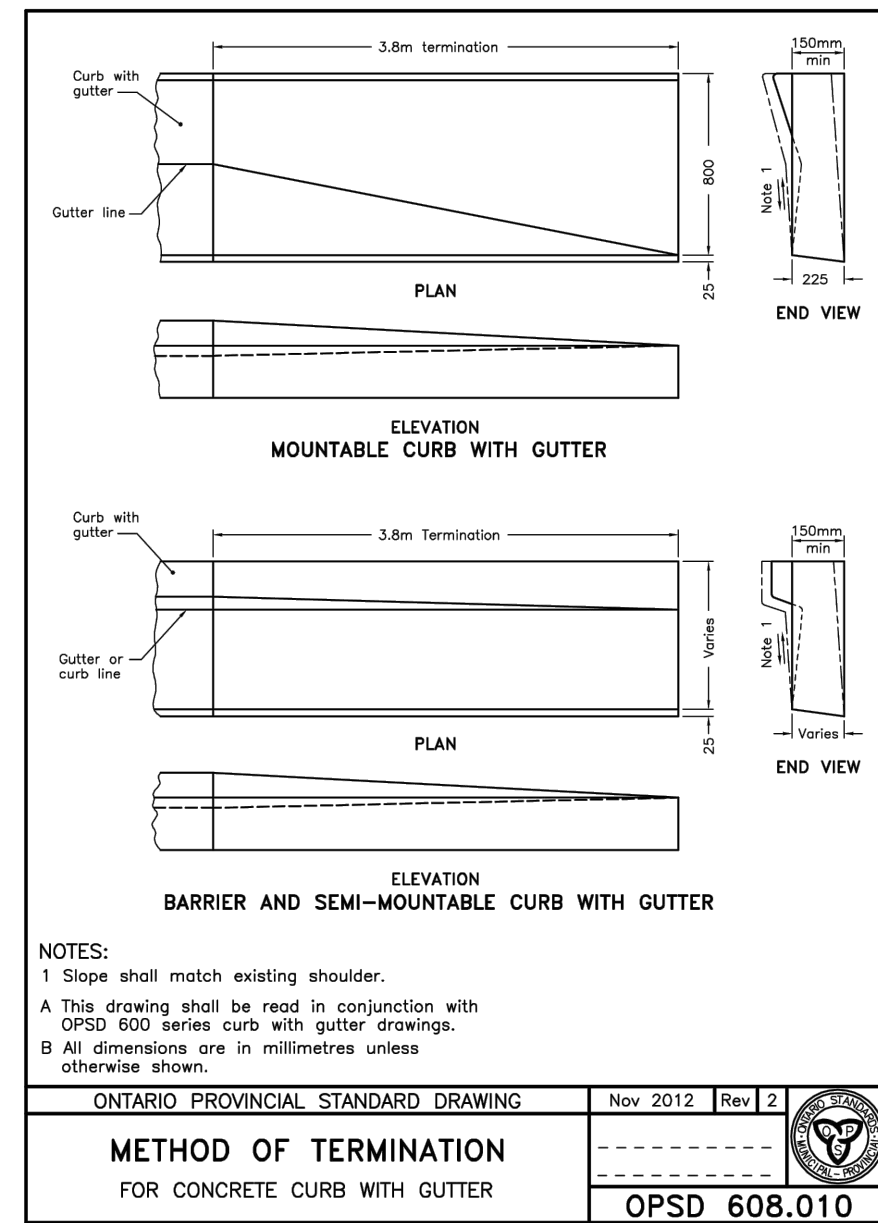
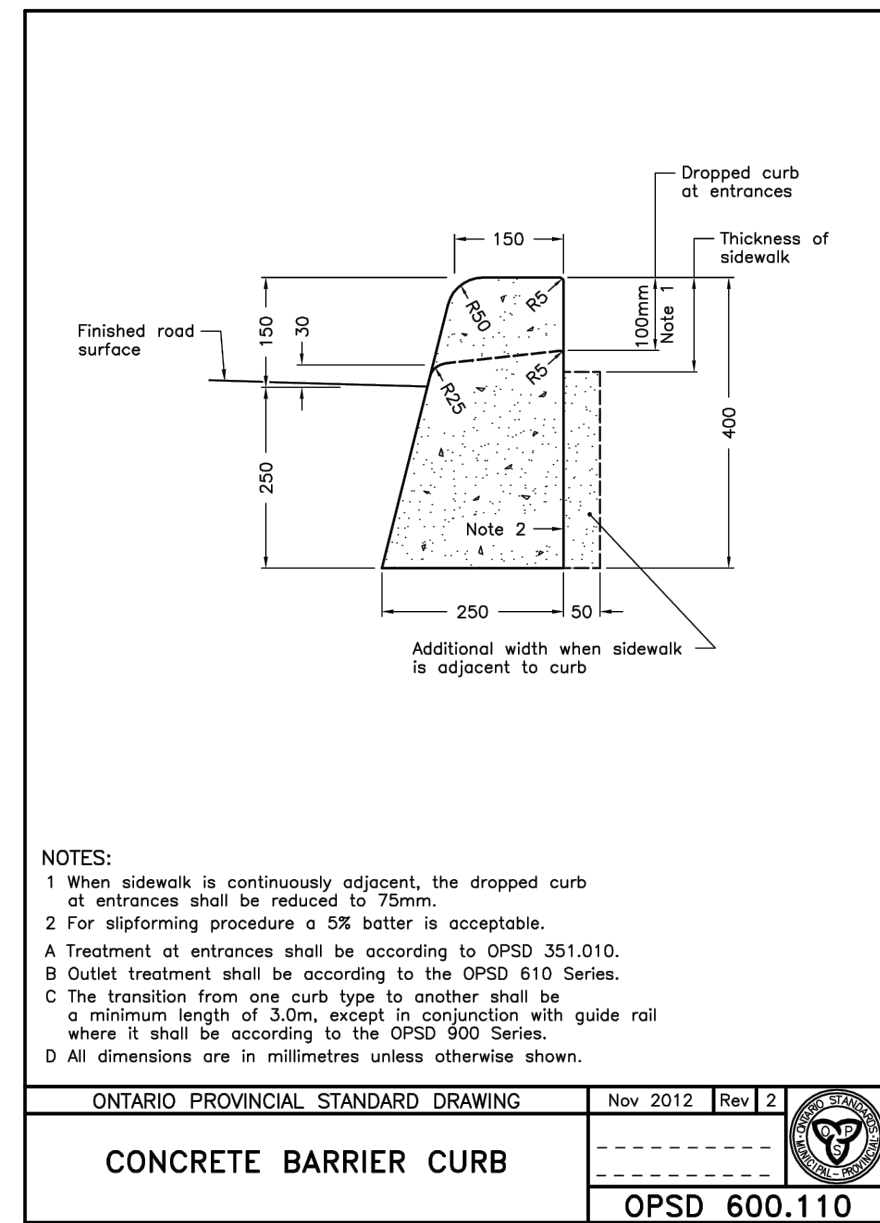
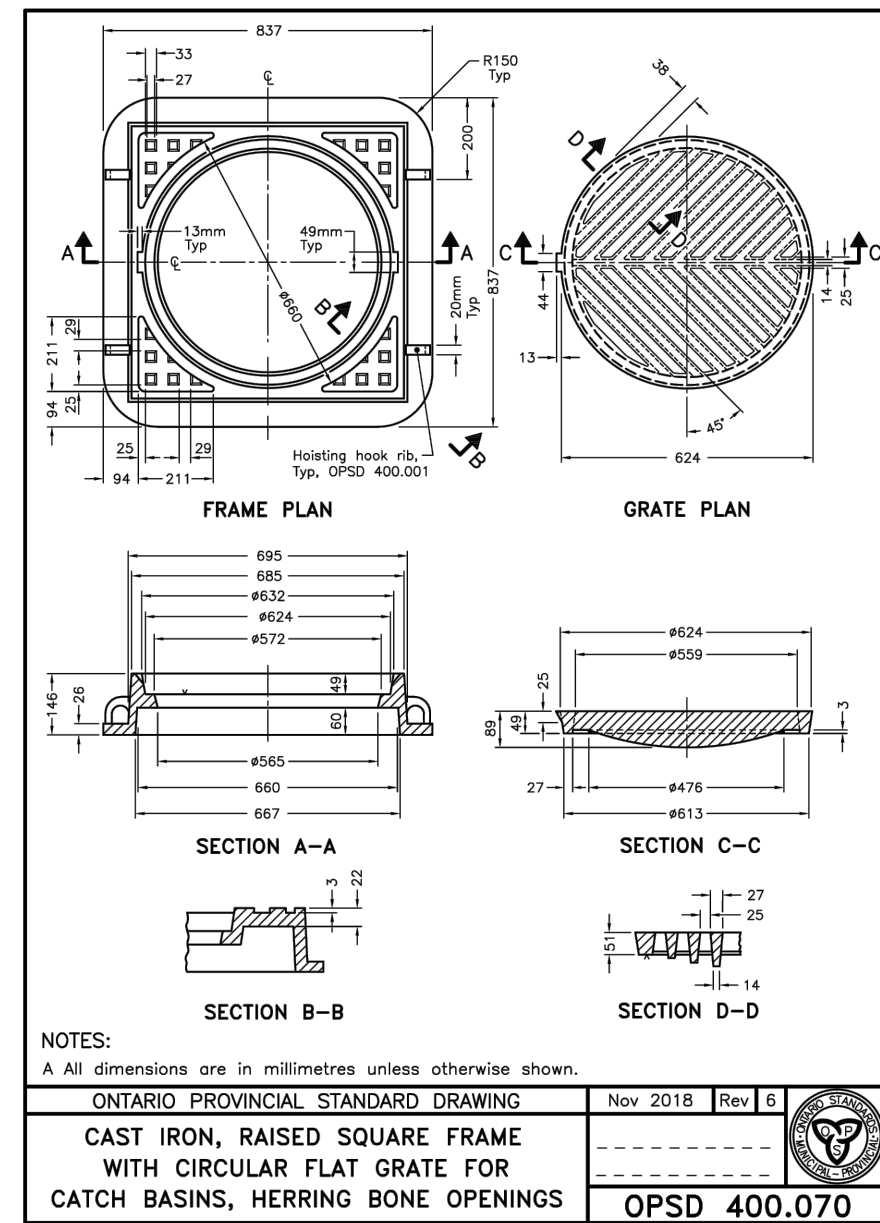
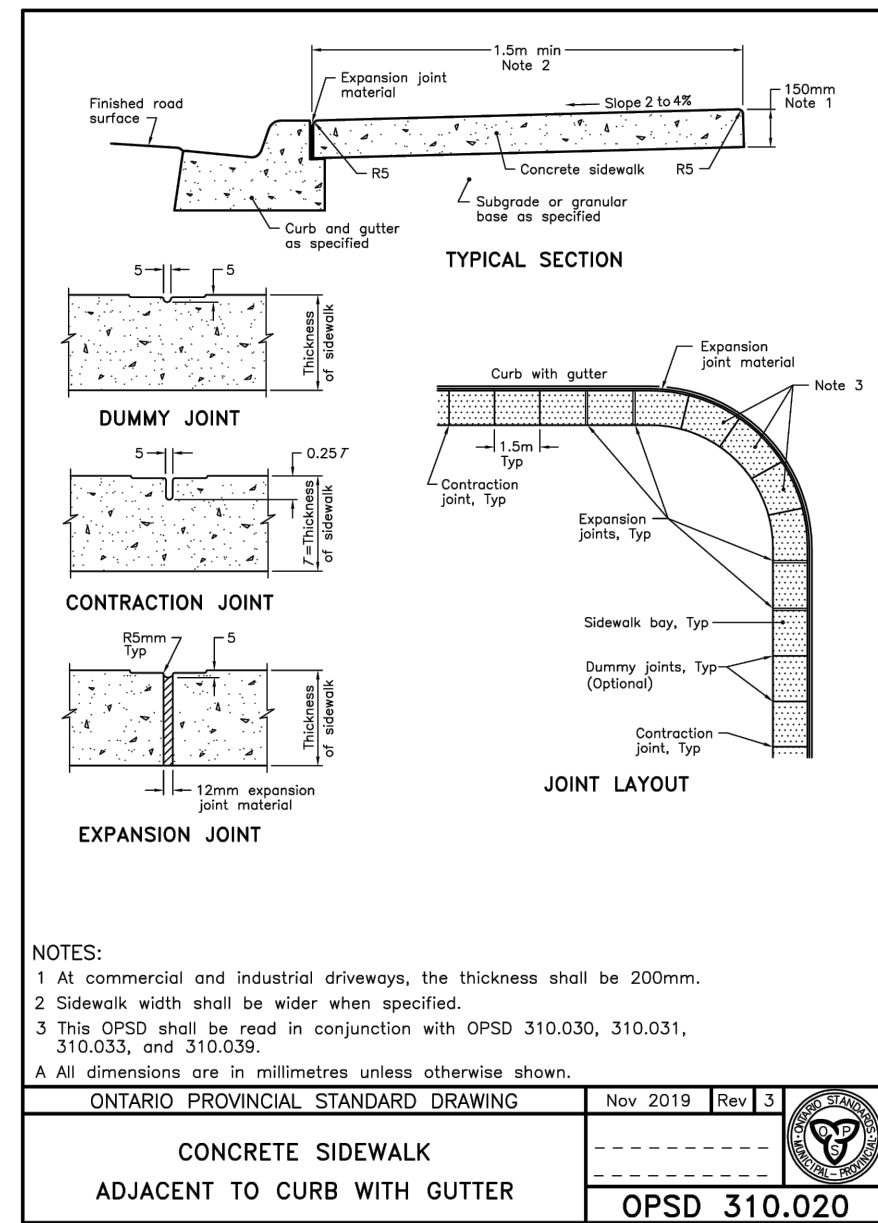
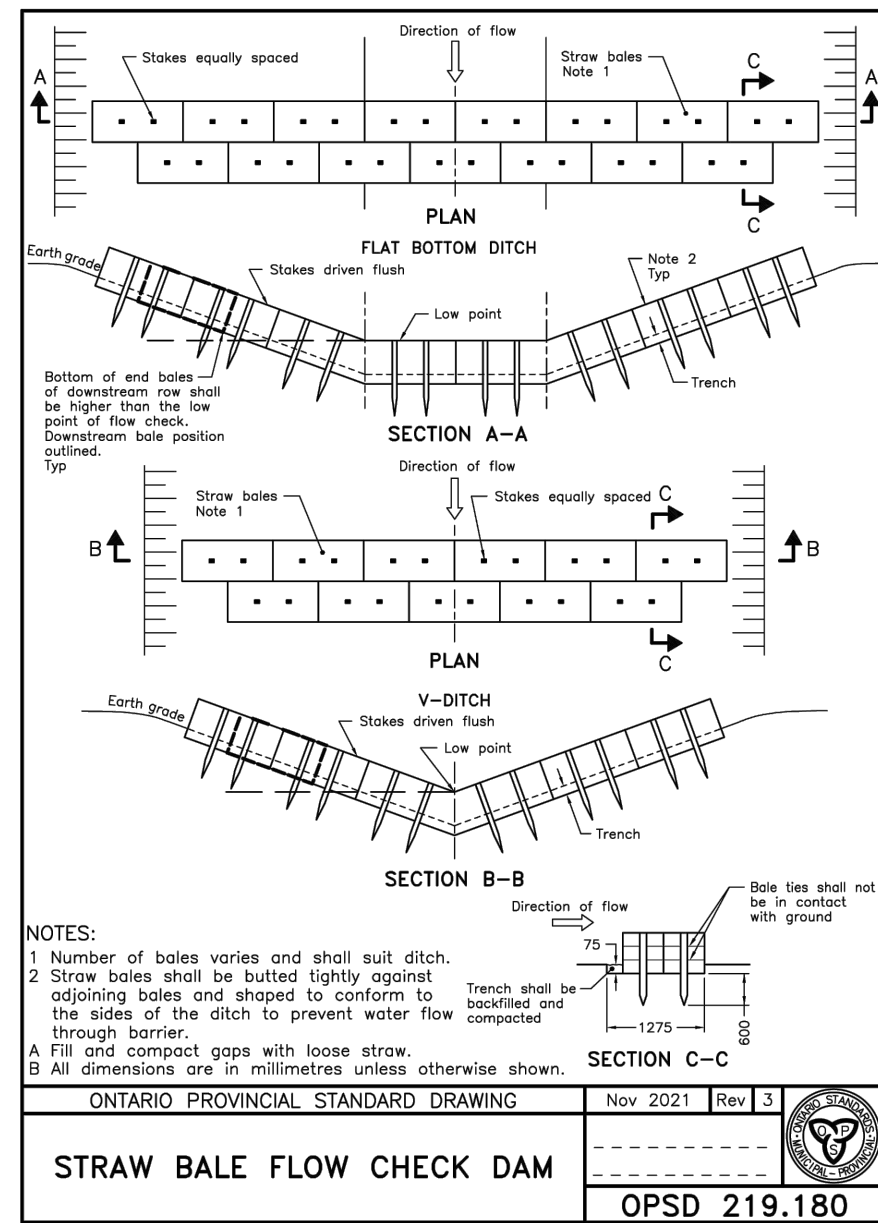
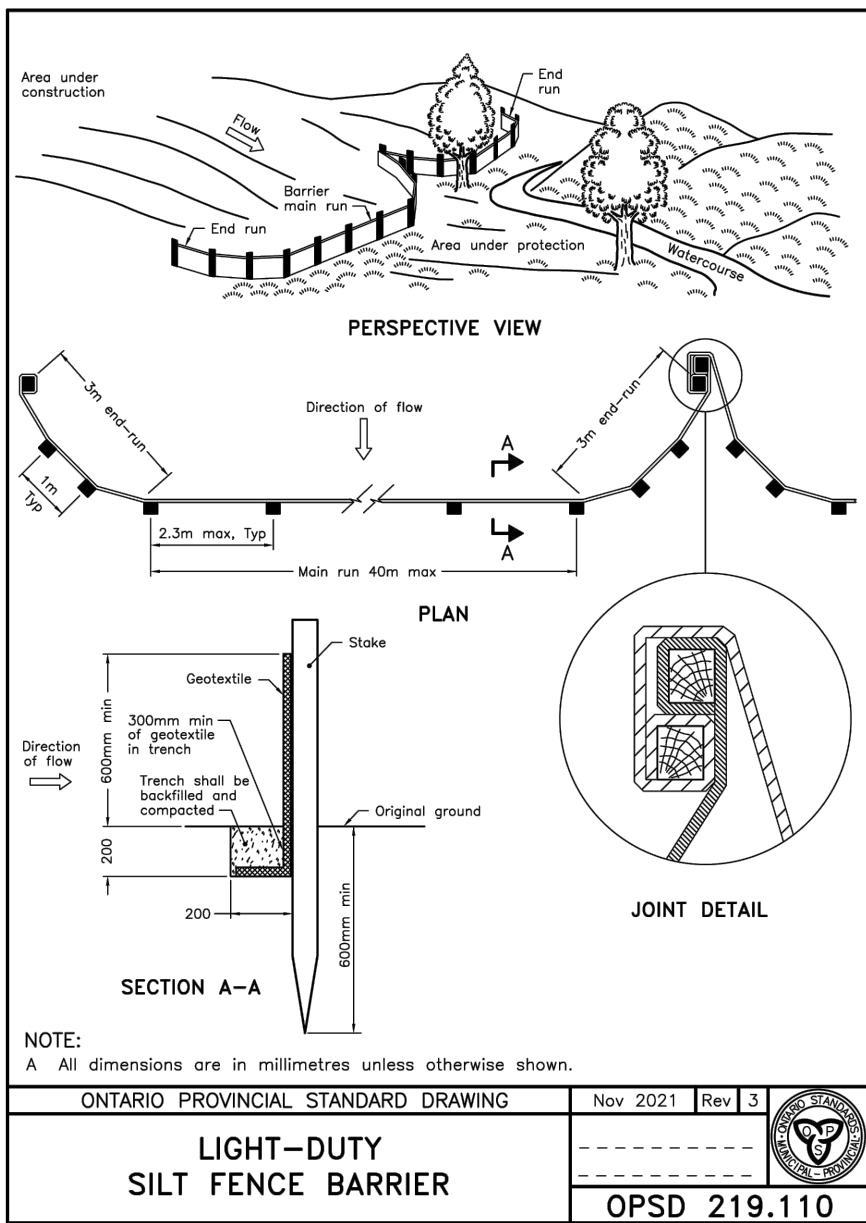
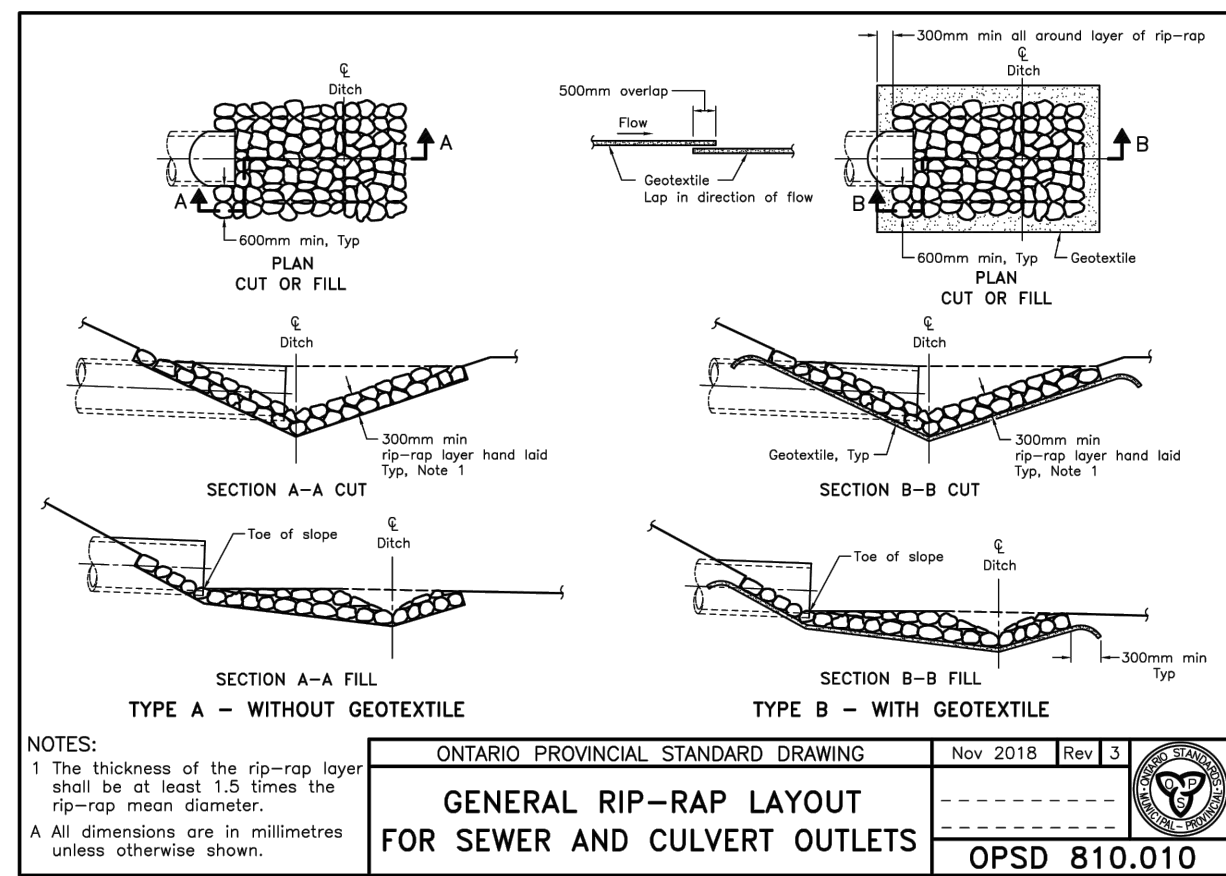
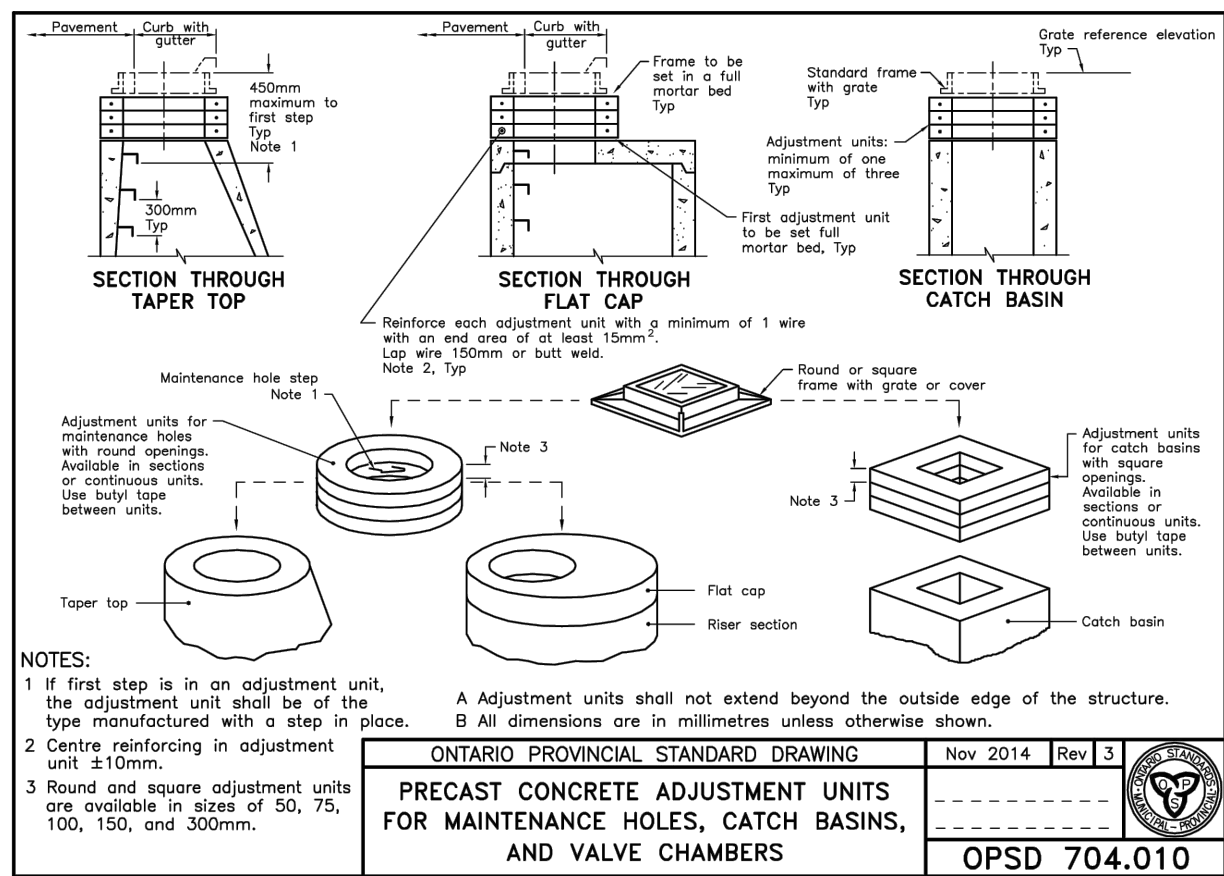
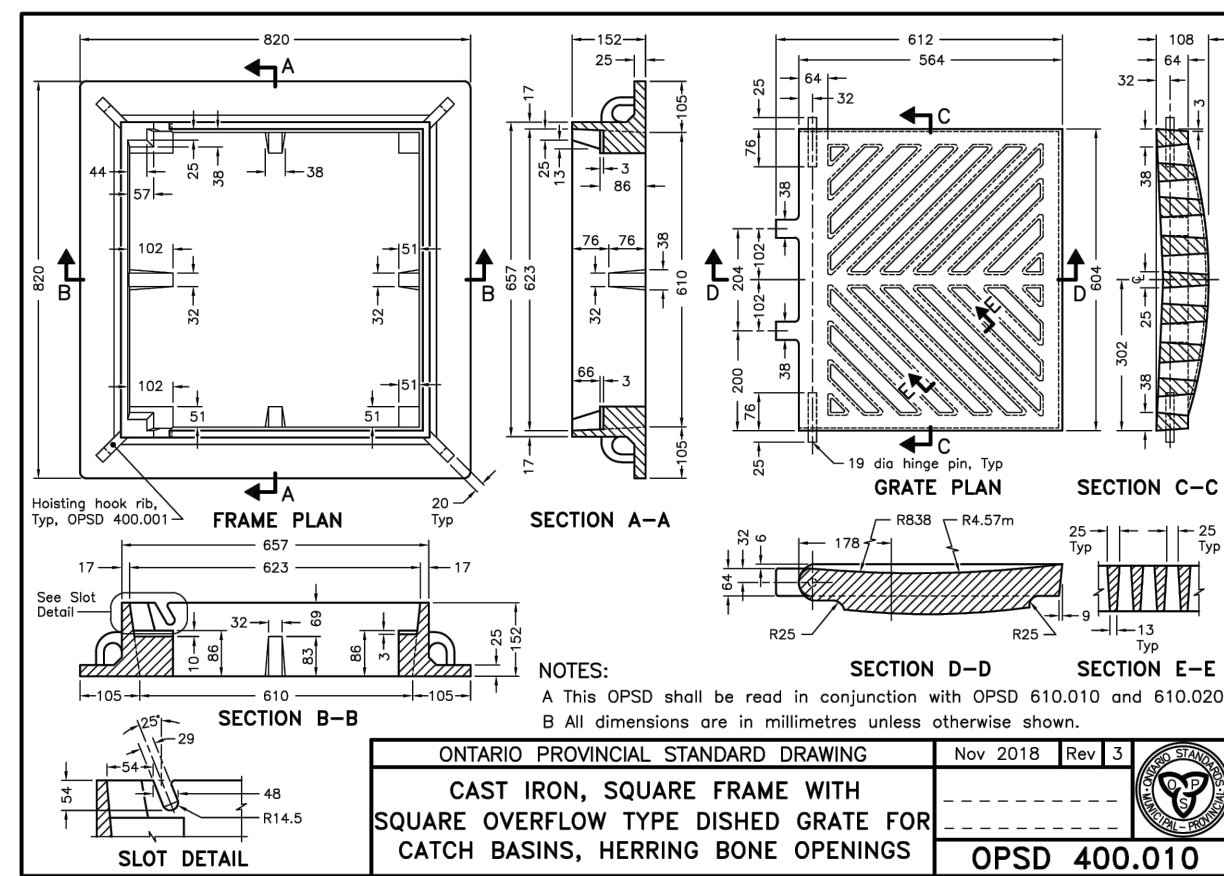


6 TYPICAL SWALE DETAIL
SCALE: N.T.S.

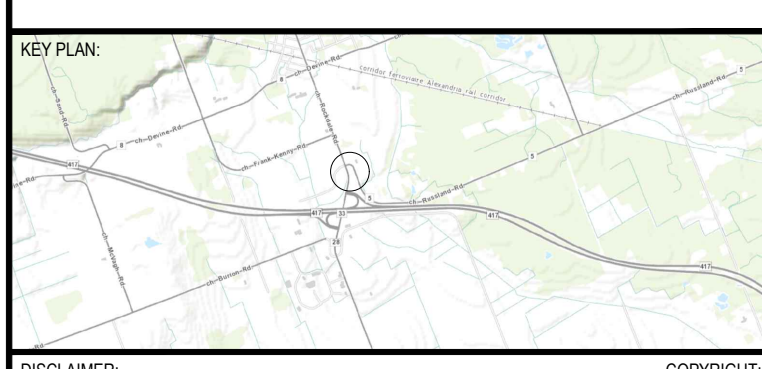


wsp
2611 Queensview Dr. Ottawa, ON Canada K2B 8K2
t: 613.829.2800 f: 613.829.8299 www.wspgroup.com

CONSULTANT:
SEAL:
W. ZHUANG
100231427
2026-04-24
PROVINCE OF ONTARIO

CLIENT:
MR. ABDO EL-ARAB
6175 ROCKDALE RD.
VARS, ONTARIO
K0A 3H0
PHONE NUMBER:
(613) 835-3525

PROJECT:
**GAS STATION
REDEVELOPMENT**
6175 ROCKDALE RD., CONC. 6
PT. LOT 27 RP 50R-5729 PART
1,2 & 3 (IRREG.)



DISCLAIMER: THIS DRAWING AND DESIGN IS COPYRIGHT PROTECTED WHICH SHALL NOT BE USED, REPRODUCED OR REVISED WITHOUT WRITTEN PERMISSION BY WSP. THE CONTRACTOR SHALL CHECK AND VERIFY ALL DIMENSIONS AND UTILITY LOCATIONS AND REPORT ALL ERRORS AND OMISSIONS PRIOR TO COMMENCING WORK. THIS DRAWING IS NOT TO BE SCALED.

ISSUED FOR - REVISION

| | | |
|----|----------------|---|
| 14 | APRIL 24, 2026 | ISSUED FOR SITE PLAN APPLICATION |
| 13 | MAR 24, 2026 | REVISED PER MECP COMMENTS |
| 12 | SEPT 25, 2025 | ISSUED FOR SITE PLAN APPLICATION |
| 11 | JUNE 28, 2024 | ISSUED AS PER CITY COMMENTS, DATED MARCH 19, 2024 |
| 10 | OCT 12, 2023 | ISSUED FOR REVIEW |
| 9 | JULY 15, 2020 | ISSUED FOR REVIEW |
| 8 | JUNE 8, 2020 | ISSUED FOR REVIEW |
| 7 | AUGUST 29/19 | ISSUED FOR REVIEW |
| 6 | 1 APRIL 8/19 | ISSUED FOR REVIEW |
| 5 | MAY 28/18 | ISSUED FOR REVIEW |
| 4 | APRIL 26/18 | ISSUED FOR REVIEW |
| 3 | MAR 20/18 | ISSUED FOR REVIEW |
| 2 | DEC 20/17 | ISSUED FOR REVIEW |
| 1 | NOV 13/17 | 33% PRELIMINARY DESIGN |

| | | | |
|-----------------|----------------------------------|---|------------|
| PROJECT NO: | CA0008077.7007 | DATE: | 2026-04-24 |
| ORIGINAL SCALE: | AS SHOWN | IF THIS BAR IS NOT 25mm LONG, ADJUST YOUR PLOTTING SCALE. | |
| DESIGNED BY: | LUJAZ | | |
| DRAWN BY: | SMJ/T | | |
| CHECKED BY: | IJ | | |
| DISCIPLINE: | CIVIL | | |
| TITLE: | DETAILS | | |
| SHEET NUMBER: | C5.1 | | |
| SHEET #: | 6 OF 6 | | |
| ISSUE: | ISSUED FOR SITE PLAN APPLICATION | REV #: | 14 |
| DATE OF: | 2026-04-24 | | |