

PROPOSED 6-STOREY RESIDENTIAL APARTMENT BUILDING

LOT DEVELOPMENT SITE

71 RUSSELL AVENUE

LOT 14

EAST SIDE OF RUSSELL AVENUE

R-PLAN 58319

CITY OF OTTAWA

APPLICATION FILE No. D07-12-26-0014 & PLAN No. #19441

STORM WATER MANAGEMENT REPORT

REPORT No. R-825-96 (REV. #1)

APRIL 2026

T.L. MAK ENGINEERING CONSULTANTS LTD.

DECEMBER 2025

REFERENCE FILE NUMBER 825-96

Introduction

The proposed six (6) storey residential apartment building site is located on the east side of Russell Avenue, situated south of Osgoode Street and north of Somerset Street East. Its legal property description is Lot 14 East Side of Russell Avenue Registered Plan 58319 in City of Ottawa (Ward 12 – Rideau-Vanier). The property was once occupied by a (2 ½) storey brick sided house with an asphalt driveway located south of the dwelling. The previous lot owner has since demolished the building and the site is currently vacant. The municipal address of the property is referenced as 71 Russell Avenue.

The site development area under consideration is approximately 756.65 metres. This site is proposed for the development of a (6) storey multi-unit residential apartment building (4 stories above grade, 2 stories partially below grade). The building contains twenty eight (28) residential units.

In addition to the residential apartment building proposed for this lot, other development features of the site are concrete walkway at the front of the building and also along the north and south side of the building, soft landscaping at the rear yard and amenity area at the rear of the property, etc. to meet City of Ottawa requirements for urban developments. Refer to Appendix A for site plan details as shown on Dwg. No. A1.0 prepared by the Lawrence Architects.

As part of the conditions for site plan application, the owner is required to submit a Storm Water Management (SWM) Report and design to demonstrate that the post development storm water peak flows are controlled to the satisfaction of the City of Ottawa Development Review Group.

This Storm Water Management Report will provide the City of Ottawa with Stormwater Management mitigating/attenuation measures proposed for this proposed site plan application.

For storm-drainage criteria set by the staff at the City of Ottawa's Engineering Department, the allowable post-development runoff release rates shall not exceed the two (2)-Year pre-development conditions since an existing 300mm dia. combined sewer is available along this portion of Russell Avenue to service this site. The allowable pre-development runoff coefficient to be used is the lesser of the calculated "C" existing value = 0.38 or $C_{allow} = 0.4$ maximum. If the uncontrolled storm-water runoff exceeds the specified requirements, the on-site storm-water management (SWM) control measures are necessary. The post-development runoff coefficient for this site is estimated at $C = 0.75$ which exceeds the calculated pre-development allowable $C_{pre} = 0.38$ criteria for the Russell Avenue Combined Sewer without on-site SWM control. Therefore, SWM measures are required. Refer to attached Drainage Area Plan (Figure 1) as detailed in Appendix A. For Pre and Post site development characteristics, refer also to the Storm Drainage Area Plan Dwg. No. 825-96 D-1 for details.

This report will address and detail the storm-water management control measures required to develop this property. Based on the Proposed Lot Grading and Servicing Plan (Dwg. No. 825-96 G-1), and on the Proposed Rooftop Storm-water Management Plan (Dwg. #825-96 SWM-1), the storm water of this lot will be controlled on-site only by the building's flat rooftop.

The storm-water management calculations that follow will detail the extent of on-site SWM control to be implemented and the storage volume required on-site to attain where possible the appropriate runoff release that will conform to the City's established drainage criteria and review requirements.

Existing Site Conditions and Servicing

The existing property under consideration is approximately ±0.0757 ha. in size. From review of the 2018 topographical survey, a 2 ½ storey brick house with porches and asphalt driveway are shown located at the north front half of the property. In reviewing the 2025 topographical survey and comparing to the 2018 survey, the site structures have since been demolished and removed off-site. See Appendix B for details. Approximately, 74.0% of the site is found to be grass/landscaped covered with the exception of an asphalt driveway, the residential dwelling including porches at front and rear of house.

Terrain of the development lot under consideration slopes predominantly from west to east (front to rear) at an approximate average gradient of ±19.6% over a distance of ±43.0 m. Existing front to rear drainage of the site (±756.65 m²) is found to be directing flow to the rear yard. A Google image and aerial photography of these current pre-development conditions of the site is provided in Appendix B of this report for reference. Also refer to the topographical survey details for this property prepared by Farley Smith and Denis Surveying Ltd. and as shown on their “ Topographical Survey Plan ” (File No. 259-25 completed on September 8, 2025) found in Appendix B for details.

Site Data

1. Development Property Area

Post-Development Site Area Characteristics

Development Lot Area	= 756.65 m ²
Roof Surface Area	= 445.67 m ²
Concrete/Interlock Area	= 147.36 m ²
Grass Area	= 163.62 m ²

$$C = \frac{(445.67 \times 0.9) + (147.36 \times 0.9) + (163.62 \times 0.2)}{756.65}$$

$$C = \frac{566.451}{756.65}$$

$$C = 0.749$$

Say “C” = 0.75

Therefore, the average post-development “C” for this site is 0.75.

2. Controlled Area Data (NODE #1, NODE #2, NODE #3 and NODE #4)

Roof Surface Area	= 413.14 m ²
Total Storm-water Controlled Area	= 413.14 m ²

$$C = \frac{(413.14 \times 0.9)}{413.14}$$

$$C = \frac{371.826}{413.14} = 0.9$$

Say "C" = 0.9

Therefore, the post-development "C" for the controlled storm-water drainage area (rooftop) is 0.9.

3. Uncontrolled Area Data (NODE #5 and NODE #6)

Grass Area	= 163.62 m ²
Concrete/Interlock Area	= 147.36 m ²
Total Storm-water Uncontrolled Area	= 310.98 m ²

$$C = \frac{(147.36 \times 0.9) + (163.62 \times 0.2)}{310.98}$$

$$C = \frac{165.348}{310.98}$$

$$C = 0.532$$

Say "C" = 0.53

Therefore, the post-development "C" for the uncontrolled stormwater drainage area of 310.98 m² from this site is C = 0.53.

The total tributary area consisting of approximately 310.98 square meters will be outletting off-site uncontrolled from this property which is also the surface area draining to the front and outletting to the Russell Avenue road right-of-way and rear of the lot.

The uncontrolled drainage area is 310.98 m² and the controlled drainage area from the available flat rooftop is 445.67 m² which totals to 756.65 m².

The SWM area to be controlled is 445.67 m². Refer to Dwg. No. 825-96 D-1 and the attached "Drainage Area Plan" in Figure 1 of Appendix A for further details.

Pre-Development Flow Estimation

Maximum allowable off-site flow: two (2)-Year Storm

NODE #101

Pre-Development Site Area Characteristics

Development Lot Area	= 756.65 m ²
Asphalt Area	= 40.88 m ²
Roof Area	= 104.17 m ²
Grass/Wood Area	= 558.90 m ²
Concrete/Interlock Area	= 52.70 m ²

$$C_{2pre} = \frac{(104.17 \times 0.9) + (40.88 \times 0.9) + (558.90 \times 0.2) + (52.70 \times 0.9)}{756.65}$$

$$C_{2pre} = \frac{289.755}{756.65}$$

$$C_{2pre} = 0.383$$

Say " C_{2pr} " = 0.38 < C_{5allo} = 0.4

•• Use $C_{pre} = 0.38$ allowable for redevelopment

$T_c = D/V$ where $D = 43.0$ m, $\Delta H = 8.42$ m, $S = 19.6\%$, and $V = 3.0$ feet/second = 0.91 m/s

Therefore,

$$T_c = \frac{43.0 \text{ m}}{0.37 \text{ m/s}}$$

$T_c = 0.79$ minutes

Use $T_c = 10$ minutes

$I_2 = 77.10$ mm/hr [City of Ottawa, two (2)-Year storm]

Using the Rational Method

$$Q_{2pre} = 2.78 (0.38) (77.10) (0.0757)$$

$$Q_{2pre} = 6.17 \text{ L/s}$$

Therefore, the total allowable flow off-site is 6.17 L/s for the (2)-Year pre-development event.

The pre-development flow estimation of the five (5)-Year and 100-Year storm event draining off-site from the lot is as follows:

Where, $T_c = 10$ minutes

$$Q_{5pre} = 2.78 \text{ CIA}$$

$$C_{5pre} = \frac{289.755}{756.65}$$

$$C_{5pre} = 0.383$$

Say, $C_{5pre} = 0.38$ draining off-site.

$$Q_{5pre} = 2.78 (0.38)(104.20)(0.0757)$$

$$Q_{5pre} = 8.33 \text{ L/s}$$

$$C_{100pre} = \frac{(104.17 \times 1.0) + (40.88 \times 1.0) + (558.90 \times 0.2 \times 1.25) + (52.70 \times 1.0)}{756.65}$$

$$C_{100pre} = \frac{337.475}{756.65}$$

$$C_{100pre} = 0.446$$

Say, $C_{100pre} = 0.45$ draining off-site.

$$Q_{100pre} = 2.78 (0.45)(178.6)(0.0757)$$

$$Q_{100pre} = 16.15 \text{ L/s}$$

Therefore, the (5)-Year pre-development flow is estimated at 8.33 L/s and the 100-Year pre-development flow is estimated at 16.91 L/s.

Refer to Google image and aerial photography of these current pre-development conditions of the site provided in Appendix B of this report for reference.

Post-Development Flow Estimation

Uncontrolled Drainage Areas – ENTIRE LOT

The post-development flow of the five (5)-Year and 100-Year storm event draining off-site from the lot uncontrolled is as follows:

Where, $T_c = 10$ minutes

Node #5 and Node #6

$$Q_{5pos} = 2.78 \text{ CIA}$$

Post-development Area Draining uncontrolled off-site of this lot is:

$$\text{Grass Area} = 163.62 \text{ m}^2$$

$$\text{Concrete Area} = 147.36 \text{ m}^2$$

$$A_{total} = 310.98 \text{ m}^2$$

$$C_{5pos} = \frac{(147.36 \times 0.9) + (163.62 \times 0.2)}{310.98}$$

$$C_{5\text{post}} = \frac{165.348}{310.98}$$

$$C_{5\text{pos}} = 0.532$$

Say " $C_{5\text{post}}$ " = 0.53 draining uncontrolled off-site.

$$Q_{5\text{pos}} = 2.78 (0.53)(104.20)(0.0311)$$

$$Q_{5\text{post}} = 4.78 \text{ L/s}$$

$$C_{100\text{post}} = \frac{(147.36 \times 1.0) + (163.62 \times 0.2 \times 1.25)}{310.98}$$

$$C_{100\text{post}} = \frac{188.265}{310.98}$$

$$C_{100\text{post}} = 0.605$$

Say, $C_{100\text{post}}$ = 0.61 draining uncontrolled off-site.

$$Q_{100\text{post}} = 2.78 (0.61)(178.6)(0.0311)$$

$$Q_{100\text{post}} = 9.42 \text{ L/s}$$

i. Uncontrolled Drainage Area to Russell Avenue (R.O.W.) – Node #5

$$\text{Concrete Area} = 70.26 \text{ m}^2$$

$$\text{Grass Area} = 12.81 \text{ m}^2$$

$$A_{\text{total}} (\text{to Russell Avenue}) = 83.07 \text{ m}^2$$

5-Year Event

$$C_5 = \frac{(70.26 \times 0.9) + (12.81 \times 0.2)}{83.07}$$

$$C_5 = \frac{65.796}{83.07}$$

$$C_5 = 0.792$$

Say " C_5 " = 0.79

$$Q_5 = 2.78 (0.79)(104.20)(0.0083)$$

$$Q_5 = 1.90 \text{ L/s}$$

100-Year Event

$$C_{100} = \frac{(70.26 \times 1.0) + (12.81 \times 0.2 \times 1.25)}{83.07}$$

$$C_{100} = \frac{73.4625}{83.07}$$

$$C_{100} = 0.884$$

Say "C₁₀₀" = 0.88

$$Q_{100} = 2.78 (0.88)(178.6)(0.0083)$$

$$Q_{100} = 3.63 \text{ L/s}$$

Estimated uncontrolled flow to the Baseline Road road right-of-way: the five (5)-Year post-development flow is 1.90 L/s and 3.63 L/s for the 100-Year event.

ii. Uncontrolled Drainage Area to rear of property – Node #6

$$\text{Interlock/Concrete Area} = 77.10 \text{ m}^2$$

$$\text{Grass Area} = 150.81 \text{ m}^2$$

$$A_{\text{total}} (\text{to rear of property}) = 227.91 \text{ m}^2$$

5-Year Event

$$C_5 = \frac{(77.10 \times 0.9) + (150.81 \times 0.2)}{227.91}$$

$$C_5 = \frac{99.552}{227.91}$$

$$C_5 = 0.437$$

Say "C₅" = 0.44

$$Q_5 = 2.78 (0.44)(104.20)(0.0228)$$

$$Q_5 = 2.91 \text{ L/s}$$

100-Year Event

$$C_{100} = \frac{(77.10 \times 1.0) + (150.81 \times 0.2 \times 1.25)}{227.91}$$

$$C_{100} = \frac{114.803}{227.91}$$

$$C_{100} = 0.504$$

Say “C₁₀₀” = 0.50

$$Q_{100} = 2.78 (0.50)(178.6)(0.0228)$$

$$Q_{100} = 5.66 \text{ L/s}$$

Estimated uncontrolled flow to the Lexington Street road right-of-way: the five (5)-Year post-development flow is 2.91 L/s and 5.66 L/s for the 100-Year event.

Table A : Summary of POST-DEVELOPMENT Uncontrolled Flow Estimation

DESCRIPTION	AREA (ha.)	5-YEAR FLOW (L/s)	100-YEAR FLOW (L/s)
Total Uncontrolled Area [NODE #5 and NODE #6]	0.0311	4.78	9.42
[NODE #5] Area draining to the front Russell Avenue (ROW)	0.0083	1.90	3.63
[NODE #6] Area draining to the rear of lot	0.0228	2.91	5.66

Therefore for the site in its entirety, under post-development condition, the 5-Year uncontrolled flow off-site is estimated at 4.78 L/s and the 100-Year uncontrolled flow is 9.42 L/s.

For this site, because 310.98 square meters of the site area is drained uncontrolled off-site, the net allowable discharge for this site into the existing storm sewer system using the two (2)-Year storm event criteria for flow entering into a combined sewer at $C_{pre} = 0.38$ is calculated as follows:
 $Q = \{2.78 (0.38) (77.10) (0.0757) - [2.78 (0.61) (178.6) (0.0311)]\} = 6.17 \text{ L/s} - 9.42 \text{ L/s} = -3.25 \text{ L/s}$.
 Therefore, according to this approach, the maximum calculated allowable flow rate off-site is 6.17 L/s and the net allowable controlled flow rate off-site is -3.25 L/s which is not practical.

Stormwater Management Analysis

Based on the above calculation from site information provided and given the small area size of the lot under consideration (756.65 m²) therefore to limit the maximum allowable flow off-site to 6.17 L/s the City of Ottawa Engineering Department recognized that this is not achievable.

For this proposed development, the building flat rooftop will be used to provide Stormwater Management (SWM) attenuation for this site. Four (4) controlled roof drains are proposed to regulate flow off-site for on-site SWM measures to be incorporated with this proposed development.

The roof drain flow rate proposed is set at 0.79 L/s (12.50 U.S. gal/min.) at a head of 100 mm during the 5-Year storm event for Roof Drain #1, Roof Drain #2, Roof Drain #3 and Roof Drain #4. The roof drain flow rate proposed for the 100-Year storm event is set at 0.95 L/s (15.0 U.S. gal/min.) for Roof Drain #1, Roof Drain #2, Roof Drain #3 and Roof Drain #4. Therefore, during the 100-Year storm event, the total controlled roof drain maximum flow off-site is 3.80 L/s (60.0 U.S. gal/min.).

Thus for this site, the 5-Year maximum post development flow rate draining off-site is the uncontrolled flow from the lot plus controlled rooftop flow which equals to 7.94 L/s (4.78 L/s + 3.16 L/s) which is

1.77 L/s above the 6.17 L/s set by the SWM criteria for this site. During the 100-Year event, the maximum post development flow rate off-site is estimated at 13.22 L/s (9.42 L/s + 3.80 L/s) which exceeds the allowable site flow of 6.17 L/s by 7.05 L/s.

Therefore for this proposed development site, the total maximum allowable release site of 6.17 L/s will be slightly exceeded by 1.77 L/s since the estimated flow is 7.94 L/s. For storm events up to and including 100-Year event, the total maximum allowable release rate of 6.17 L/s will be exceeded by 7.05 L/s (estimated at 13.22 L/s) where the flow exceedance is 7.05 L/s for this site.

However, in comparing the pre-development flow of the current site conditions to the post-development flow, the SWM regulated flow plus uncontrolled flow from the proposed site under the post-development conditions at the 5-Year event = 7.94 L/s and the 100-Year event = 13.22 L/s where both of the post-development flow events are less than to the current pre-development flow estimate for the site at 5-Year_{pre} = 8.33 L/s and 100-Year_{pre} = 16.91 L/s. Therefore with this proposed development, stormwater flow is improved from that of the existing condition for the 5-Year event and is improved at the 100-Year event level.

To the controlled drainage area (flat rooftop of proposed building) the post-development inflow rate during the five (5)-Year and 100-Year storms for the (4) four flat rooftop area can be calculated as follows:

Design Discharge Computation

Flat Rooftop Areas

To Calculate Roof Storage Requirements

The proposed flat roof of the apartment building on this property will incorporate four (4) roof drains to control flow off-site for this development property. The roof drain flow rate proposed is at 0.95 L/s (15.0 U.S. gal./min.) for Roof Drain #1 to Roof Drain #4 inclusive. The specified roof drain is the Watts "Adjustable Accutrol Weir" (Model No. RD-100-A-ADJ) with each weir opening in the 1/4 exposed position, which will allow a maximum flow of 0.95 L/s under a maximum head of 150 mm water above the drain for Roof Drain #1, Roof Drain #2, Roof Drain #3 and Roof Drain #4 inclusive. The weir opening in the 1/4 exposed position which will allow a flow of 0.95 L/s (15.0 U.S. gal./min.) under a head of 150 mm water above the drain. See Appendix C for roof drain details. Therefore, the stormwater flow that can be controlled from this building flat rooftop and outletted off-site is $(4 \times 0.95 \text{ L/s}) = 3.80 \text{ L/s}$. Refer to the Proposed Stormwater Management Plan (Dwg. No. 825-96 SWM-1) for roof drain details.

C = 0.9 will be used for sizing roof storage volume in this case.

Inflow rate (Q_A) = 2.78 CIA

Where C = 0.9
A = Surface are of roof
I = (mm/hr)

For Roof Area No. 1 (NODE #1)

<u>5-Year Event</u>	<u>100-Year Event</u>
$C_5 = 0.90$ $A = 97.72 \text{ m}^2$ $I = \text{mm/hr}$ $Q_{A1} = 2.78 (0.90) (0.0098 \text{ ha.}) I$ $= 0.0245 I$	$C_{100} = 1.0$ $A = 97.72 \text{ m}^2$ $I = \text{mm/hr}$ $Q_{A1} = 2.78 (1.0) (0.0098 \text{ ha.}) I$ $= 0.0273 I$

For Roof Area No. 2 (NODE #2)

<u>5-Year Event</u>	<u>100-Year Event</u>
$C_5 = 0.90$ $A = 140.17 \text{ m}^2$ $I = \text{mm/hr}$ $Q_{A2} = 2.78 (0.90) (0.014 \text{ ha.}) I$ $= 0.035 I$	$C_{100} = 1.0$ $A = 140.17 \text{ m}^2$ $I = \text{mm/hr}$ $Q_{A2} = 2.78 (1.0) (0.014 \text{ ha.}) I$ $= 0.0389 I$

For Roof Area No. 3 (NODE #3)

<u>5-Year Event</u>	<u>100-Year Event</u>
$C_5 = 0.90$ $A = 87.15 \text{ m}^2$ $I = \text{mm/hr}$ $Q_{A3} = 2.78 (0.90) (0.0087 \text{ ha.}) I$ $= 0.0218 I$	$C_{100} = 1.0$ $A = 87.15 \text{ m}^2$ $I = \text{mm/hr}$ $Q_{A3} = 2.78 (1.0) (0.0087 \text{ ha.}) I$ $= 0.0242 I$

For Roof Area No. 4 (NODE #4)

<u>5-Year Event</u>	<u>100-Year Event</u>
$C_5 = 0.90$ $A = 120.63 \text{ m}^2$ $I = \text{mm/hr}$ $Q_{A4} = 2.78 (0.90) (0.0121 \text{ ha.}) I$ $= 0.0303 I$	$C_{100} = 1.0$ $A = 120.63 \text{ m}^2$ $I = \text{mm/hr}$ $Q_{A4} = 2.78 (1.0) (0.0121 \text{ ha.}) I$ $= 0.0337 I$

The summary results of the calculated inflow and the storage volume of the site and the building's flat rooftop to store the 5-Year and 100-Year storm events are shown on the **Tables 1 to 4** inclusive and the **Tables 5 to 8** inclusive.

Table 9 summarizes the post-development design flows from the building roof top area as well as the type of roof drains, the maximum anticipated ponding depths, storage volumes required, and storage volumes provided for the five (5)-Year and 100-Year design events.

Table 9: Design Flow and Roof Drain Table

Roof Area ID & Drainage Area (ha)	Number of Roof Drains	Watts Roof Drain Model ID (Weir Opening)	Controlled Flow per Drain (L/s)		Approximate Ponding Depth Above Drains (m)		Storage Volume Required (m ³)		Max. Storage Available (m ³)
			5 YR	100 YR	5 YR	100 YR	5 YR	100 YR	
RD-1 (0.0098 ha)	1	RD-100-A-ADJ (1/4 OPENING EXPOSED)	0.79	0.95	0.10	0.15	1.13	2.84	4.55
RD-2 (0.0140 ha)	1	RD-100-A-ADJ (1/4 OPENING EXPOSED)	0.79	0.95	0.10	0.15	2.01	4.75	6.59
RD-3 (0.0087 ha)	1	RD-100-A-ADJ (1/4 OPENING EXPOSED)	0.79	0.95	0.10	0.15	0.93	2.36	4.15
RD-4 (0.0121 ha)	1	RD-100-A-ADJ (1/4 OPENING EXPOSED)	0.79	0.95	0.10	0.15	1.61	3.87	5.31
Total Roof (0.0446 ha)	4	-	3.16	3.80	-	-	5.68	13.82	20.60

Erosion and Sediment Control

The contractor shall implement Best Management Practices to provide for protection of the receiving storm sewer during construction activities. These practices are required to ensure no sediment and/or associated pollutants are released to the receiving watercourse. These practices include installation of a “siltsack” catch basin sediment control device or equal in catch basins as recommended by manufacturer on-site and off-site within the Russell Avenue road right-of-way adjacent to this property. Siltsack shall be inspected every 2 to 3 weeks and after every major storm. The deposits will be disposed of as per the requirements of the contract. See Dwg. No. 825-96 ESC-1 for details.

Operation and Maintenance Manual

The owner and subsequent owner(s) of this apartment building shall ensure to include within their operation and maintenance manual schedules for a bi-yearly or (more frequently as deemed necessary) inspection and cleaning of the proposed Stormwater Management (SWM) works consisting of (4) controlled flat roof drains and their corresponding (4) flat rooftops for on-site stormwater attenuation purposes.

The typical operation, maintenance, and inspection program shall be carried out by implementing best practices, procedures and also as per manufacturer’s recommendations.

In case of repairs are required for the drains due to damages, abnormal circumstances, etc. the owner’s maintenance staff shall replace the damaged drain(s) with equivalent roof drain model approved by the municipal authorities.

The flat rooftop shall be inspected for debris and removal of debris, if required, to ensure available (SWM) volume, as designed, is maintained during various storm events.

Emergency overflow roof scuppers (8) proposed for the apartment shall be inspected bi-yearly also to ensure there are no blockages in case of emergency overflow situation arises.

Conclusion

At this proposed residential site and to develop this lot to house a 28 unit apartment building on a 0.0757 ha. parcel of land, the estimated allowable flow off-site is calculated at 6.17 L/s based on City of Ottawa Drainage and Stormwater Management (SWM) criteria of 2-Year pre-development flow at $C_{pre} = 0.38$. For on-site SWM attenuation, the flat roof top of the proposed apartment building will be utilized and (4) controlled roof drains are incorporated each with a controlled maximum release rate of 0.95 L/s (15.0 U.S. gal/min.) under a maximum head of 150 mm. The controlled flow from this site at the 5-Year event totals to 3.16 L/s and 3.80 L/s for the 100-Year event for the post development condition. The uncontrolled 5-Year post development flow from the remainder of the site is estimated at 4.78 L/s and 9.42 L/s for the 100-year event respectively.

During the five (5)-year storm event for the flat rooftop storage, the ponding depth of rooftop area 1, 2, 3 and 4 is estimated at 100 mm at the drain and 0mm at the roof perimeter, assuming a 1.7% minimum roof pitch to the drain. The rooftop storage available at Roof Area 1 is 1.49 m³, at Roof Area 2 is 2.01 m³, at Roof Area 3 is 1.17 m³ and the rooftop storage available at Roof Area 4 is 1.70 m³, for a total of 6.37 m³, which is greater than the required volume of 5.68 m³.

During the 100-year storm event for the flat rooftop storage, the ponding depth of Roof Area 1, 2, 3 and 4 is estimated at 150 mm at the drain and 0mm at the roof perimeter, assuming a 1.7% minimum roof pitch to the drain. The rooftop storage available at Roof Area 1 is 4.55 m³, at Roof Area 2 is 6.59 m³, at Roof Area 3 is 4.15 m³ and the rooftop storage available at Roof Area 4 is 5.31 m³, for a total of 20.60 m³, which is greater than the required volume of 13.82 m³.

Therefore, by means of flat building rooftop storage and grading the site to the proposed grades as shown on the Proposed Grading and Servicing Plan and Proposed Rooftop Stormwater Management Plan Dwg. 825-96 G-1 and 825-96 SWM-1 respectively, the desirable five (5)-Year storm and 100-Year storm event detention volume of 6.37 m³ and 20.60 m³ respectively will be available on site. Refer to Appendix D for detailed calculations of available storage volumes.

Thus for this development site, the 5-Year maximum post development flow draining off-site is the controlled roof top flow plus the uncontrolled flow from the remainder of the site totals to 7.94 L/s (4.78 L/s + 3.16 L/s) which is slightly 1.77 L/s above the allowable 6.17 L/s. For storm events up to and including 100-Year, the estimated maximum post development flow draining off-site is 13.22 L/s (9.42 L/s + 3.80 L/s) which exceeds the site allowable of 6.17 L/s by 7.05 L/s for this site.

In comparing the pre-development flow of the current site conditions to the post development flow, the SWM regulated flow plus uncontrolled flow from the proposed site under the post development conditions at the 5-Year event = 7.94 L/s and the 100 year event = 13.22 L/s where both of the post development flow events are less than the current pre-development flow estimate for the site at 5-Year $P_{pre} = 8.33$ L/s and 100-Year $P_{pre} = 16.91$ L/s. Therefore with this proposed development, stormwater flow is improved from that of the existing condition for the 5-Year event and at the 100-Year event under the proposed post-development conditions.

The building weeping tile drainage will outlet via its separate 150mm diameter PVC storm lateral. The roof drains will be outletted also via a separate 150mm PVC storm lateral from the apartment building which "wye" into the proposed 150mm dia. weeping tile storm lateral, whereupon both laterals are outletting to the existing Russell Avenue 300 mm diameter combined sewer with only one (1) storm lateral connection. The City of Ottawa recommends that pressurized drain pipe material be used in the building for the roof drain leader pipe in the event of surcharging on the City's combined sewer system. Refer to the proposed site grading and servicing plan Dwg. 825-96 G-1 for details.

PREPARED BY T.L. MAK ENGINEERING CONSULTANTS LTD.



TONY L. MAK, P.ENG



PROPOSED 71 RUSSELL AVENUE RESIDENTIAL APARTMENT BUILDING DEVELOPMENT SITE

TABLE 1
FIVE (5)-YEAR EVENT

REQUIRED BUILDING ROOF AREA 1 STORAGE VOLUME

ROOF DRAIN No. 1

t_c TIME (minutes)	I 5-YEAR (mm/hr)	Q ACTUAL (L/s)	Q ALLOW (L/s)	Q STORED (L/s)	VOLUME STORED (m³)
5	141.20	3.46	0.79	2.67	0.80
10	104.20	2.56	0.79	1.77	1.06
15	83.50	2.05	0.79	1.26	<u>1.13</u>
20	70.30	1.72	0.79	0.93	1.12
25	60.90	1.49	0.79	0.70	1.05
30	53.93	1.32	0.79	0.53	0.95
35	48.50	1.19	0.79	0.40	0.84

Therefore, the required rooftop storage volume is 1.13 m³.

SITE DATA

Roof Area = 97.72 m² = 0.0098 ha.

PROPOSED 71 RUSSELL AVENUE RESIDENTIAL APARTMENT BUILDING DEVELOPMENT SITE

TABLE 2
FIVE (5)-YEAR EVENT

REQUIRED BUILDING ROOF AREA 2 STORAGE VOLUME

ROOF DRAIN No. 2

t_c TIME (minutes)	I 5-YEAR (mm/hr)	Q ACTUAL (L/s)	Q ALLOW (L/s)	Q STORED (L/s)	VOLUME STORED (m³)
5	141.20	4.94	0.79	4.15	1.25
10	104.20	3.65	0.79	2.86	1.73
15	83.50	2.92	0.79	2.13	1.92
20	70.30	2.46	0.79	1.67	2.00
25	60.90	2.13	0.79	1.34	<u>2.01</u>
30	53.93	1.89	0.79	1.10	1.98
35	48.50	1.70	0.79	0.91	1.91

Therefore, the required rooftop storage volume is 2.01 m³.

SITE DATA

Roof Area = 140.17 m² = 0.014 ha.

PROPOSED 71 RUSSELL AVENUE RESIDENTIAL APARTMENT BUILDING DEVELOPMENT SITE

TABLE 3
FIVE (5)-YEAR EVENT

REQUIRED BUILDING ROOF AREA 3 STORAGE VOLUME

ROOF DRAIN No. 3

t_c TIME (minutes)	I 5-YEAR (mm/hr)	Q ACTUAL (L/s)	Q ALLOW (L/s)	Q STORED (L/s)	VOLUME STORED (m ³)
5	141.20	3.08	0.79	2.29	0.69
10	104.20	2.27	0.79	1.48	0.89
15	83.50	1.82	0.79	1.03	<u>0.93</u>
20	70.30	1.53	0.79	0.74	0.89
25	60.90	1.33	0.79	0.54	0.81
30	53.93	1.18	0.79	0.39	0.70
35	48.50	1.06	0.79	0.27	0.57

Therefore, the required rooftop storage volume is 0.93 m³.

SITE DATA

Roof Area = 87.15 m² = 0.0087 ha.

PROPOSED 71 RUSSELL AVENUE RESIDENTIAL APARTMENT BUILDING DEVELOPMENT SITE

TABLE 4
FIVE (5)-YEAR EVENT

REQUIRED BUILDING ROOF AREA 4 STORAGE VOLUME

ROOF DRAIN No. 4

t_c TIME (minutes)	I 5-YEAR (mm/hr)	Q ACTUAL (L/s)	Q ALLOW (L/s)	Q STORED (L/s)	VOLUME STORED (m ³)
5	141.20	4.28	0.79	3.49	1.05
10	104.20	3.16	0.79	2.37	1.42
15	83.50	2.53	0.79	1.74	1.57
20	70.30	2.13	0.79	1.34	<u>1.61</u>
25	60.90	1.85	0.79	1.06	1.59
30	53.93	1.63	0.79	0.84	1.51
35	48.50	1.47	0.79	0.68	1.43

Therefore, the required rooftop storage volume is 1.61 m³.

SITE DATA

Roof Area = 120.63 m² = 0.0121 ha.

PROPOSED 71 RUSSELL AVENUE RESIDENTIAL APARTMENT BUILDING DEVELOPMENT SITE

TABLE 5

100-YEAR EVENT

REQUIRED BUILDING ROOF AREA 1 STORAGE VOLUME

ROOF DRAIN No. 1

t_c TIME (minutes)	I 100-YEAR (mm/hr)	Q ACTUAL (L/s)	Q ALLOW (L/s)	Q STORED (L/s)	VOLUME STORED (m³)
10	178.6	4.88	0.95	3.93	2.36
15	142.9	3.90	0.95	2.95	2.66
20	120.0	3.28	0.95	2.33	2.80
25	103.9	2.84	0.95	1.89	<u>2.84</u>
30	91.9	2.51	0.95	1.56	2.81
35	82.6	2.26	0.95	1.31	2.75
40	75.1	2.05	0.95	1.10	2.64
45	69.1	1.89	0.95	0.94	2.54
50	63.9	1.72	0.95	0.77	2.31

Therefore, the required rooftop storage volume is 2.84 m³.

SITE DATA

Roof Area = 97.72 m² = 0.0098 ha.

PROPOSED 71 RUSSELL AVENUE RESIDENTIAL APARTMENT BUILDING DEVELOPMENT SITE

TABLE 6

100-YEAR EVENT

REQUIRED BUILDING ROOF AREA 2 STORAGE VOLUME

ROOF DRAIN No. 2

t_c TIME (minutes)	I 100-YEAR (mm/hr)	Q ACTUAL (L/s)	Q ALLOW (L/s)	Q STORED (L/s)	VOLUME STORED (m³)
10	178.6	6.95	0.95	6.00	3.60
15	142.9	5.56	0.95	4.61	4.15
20	120.0	4.67	0.95	3.72	4.46
25	103.9	4.04	0.95	3.09	4.64
30	91.9	3.58	0.95	2.63	4.73
35	82.6	3.21	0.95	2.26	<u>4.75</u>
40	75.1	2.92	0.95	1.97	4.73
45	69.1	2.69	0.95	1.74	4.70

Therefore, the required rooftop storage volume is 4.75 m³.

SITE DATA

Roof Area = 140.17 m² = 0.014 ha.

PROPOSED 71 RUSSELL AVENUE RESIDENTIAL APARTMENT BUILDING DEVELOPMENT SITE

TABLE 7

100-YEAR EVENT

REQUIRED BUILDING ROOF AREA 3 STORAGE VOLUME

ROOF DRAIN No. 3

t_c TIME (minutes)	I 100-YEAR (mm/hr)	Q ACTUAL (L/s)	Q ALLOW (L/s)	Q STORED (L/s)	VOLUME STORED (m³)
10	178.6	4.32	0.95	3.37	2.02
15	142.9	3.46	0.95	2.51	2.26
20	120.0	2.91	0.95	1.96	2.35
25	103.9	2.52	0.95	1.57	<u>2.36</u>
30	91.9	2.22	0.95	1.27	2.29
35	82.6	2.00	0.95	1.05	2.21
40	75.1	1.82	0.95	0.87	2.09
45	69.1	1.67	0.95	0.72	1.94

Therefore, the required rooftop storage volume is 2.36 m³.

SITE DATA

Roof Area = 87.15 m² = 0.0087 ha.

PROPOSED 71 RUSSELL AVENUE RESIDENTIAL APARTMENT BUILDING DEVELOPMENT SITE

TABLE 8

100-YEAR EVENT

REQUIRED BUILDING ROOF AREA 4 STORAGE VOLUME

ROOF DRAIN No. 4

t_c TIME (minutes)	I 100-YEAR (mm/hr)	Q ACTUAL (L/s)	Q ALLOW (L/s)	Q STORED (L/s)	VOLUME STORED (m³)
10	178.6	6.02	0.95	5.07	3.04
15	142.9	4.82	0.95	3.87	3.48
20	120.0	4.04	0.95	3.09	3.71
25	103.9	3.50	0.95	2.55	3.83
30	91.9	3.10	0.95	2.15	<u>3.87</u>
35	82.6	2.79	0.95	1.84	3.86
40	75.1	2.53	0.95	1.58	3.79
45	69.1	2.33	0.95	1.38	3.73
50	63.9	2.15	0.95	1.20	3.60

Therefore, the required rooftop storage volume is 3.87 m³.

SITE DATA

Roof Area = 120.63 m² = 0.0121 ha.

PROPOSED 6-STOREY RESIDENTIAL APARTMENT BUILDING

LOT DEVELOPMENT SITE

71 RUSSELL AVENUE

LOT 14

EAST SIDE OF RUSSELL AVENUE

R-PLAN 58319

CITY OF OTTAWA

APPENDIX A

SITE PLAN

AND

STORM DRAINAGE AREA PLAN

FIGURE 1

JERSEY DEVELOPMENTS INC.
 1100 SHEPPARD AVENUE EAST, SUITE 100
 SCARBOROUGH, ONTARIO M1B 3Y9
 TEL: (416) 291-1111
 FAX: (416) 291-1112
 WWW.JERSEYDEVELOPMENTS.COM

PROJECT INFORMATION
 PROJECT NO: 156319
 PROJECT NAME: EAST SIDE OF RUSSELL AVENUE
 CITY OF OTTAWA

CLIENT INFORMATION
 CLIENT NAME: JERSEY DEVELOPMENTS INC.
 CLIENT ADDRESS: 1100 SHEPPARD AVENUE EAST, SUITE 100, SCARBOROUGH, ONTARIO M1B 3Y9
 CLIENT PHONE: (416) 291-1111
 CLIENT FAX: (416) 291-1112
 CLIENT EMAIL: info@jerseydevelopments.com

DESIGNER INFORMATION
 DESIGNER NAME: LAWRENCE ARCHITECTS
 DESIGNER ADDRESS: 1100 SHEPPARD AVENUE EAST, SUITE 100, SCARBOROUGH, ONTARIO M1B 3Y9
 DESIGNER PHONE: (416) 291-1111
 DESIGNER FAX: (416) 291-1112
 DESIGNER EMAIL: info@lawrencearchitects.com

DATE
 DATE: 2024-08-15

SCALE
 SCALE: 1/8" = 1'-0"

PROJECT NO.
 PROJECT NO: 156319

PROJECT NAME
 PROJECT NAME: EAST SIDE OF RUSSELL AVENUE

CITY OF OTTAWA

PL N. 04208 - 0267

1

2

3

4

5

6

7

8

9

10

11

12

13

14

15

16

17

18

19

20

21

22

23

24

25

26

27

28

29

30

31

32

33

34

35

36

37

38

39

40

41

42

43

44

45

46

47

48

49

50

51

52

53

54

55

56

57

58

59

60

61

62

63

64

65

66

67

68

69

70

71

72

73

74

75

76

77

78

79

80

81

82

83

84

85

86

87

88

89

90

91

92

93

94

95

96

97

98

99

100

101

102

103

104

105

106

107

108

109

110

111

112

113

114

115

116

117

118

119

120

121

122

123

124

125

126

127

128

129

130

131

132

133

134

135

136

137

138

139

140

141

142

143

144

145

146

147

148

149

150

151

152

153

154

155

156

157

158

159

160

161

162

163

164

165

166

167

168

169

170

171

172

173

174

175

176

177

178

179

180

181

182

183

184

185

186

187

188

189

190

191

192

193

194

195

196

197

198

199

200

201

202

203

204

205

206

207

208

209

210

211

212

213

214

215

216

217

218

219

220

221

222

223

224

225

226

227

228

229

230

231

232

233

234

235

236

237

238

239

240

241

242

243

244

245

246

247

248

249

250

251

252

253

254

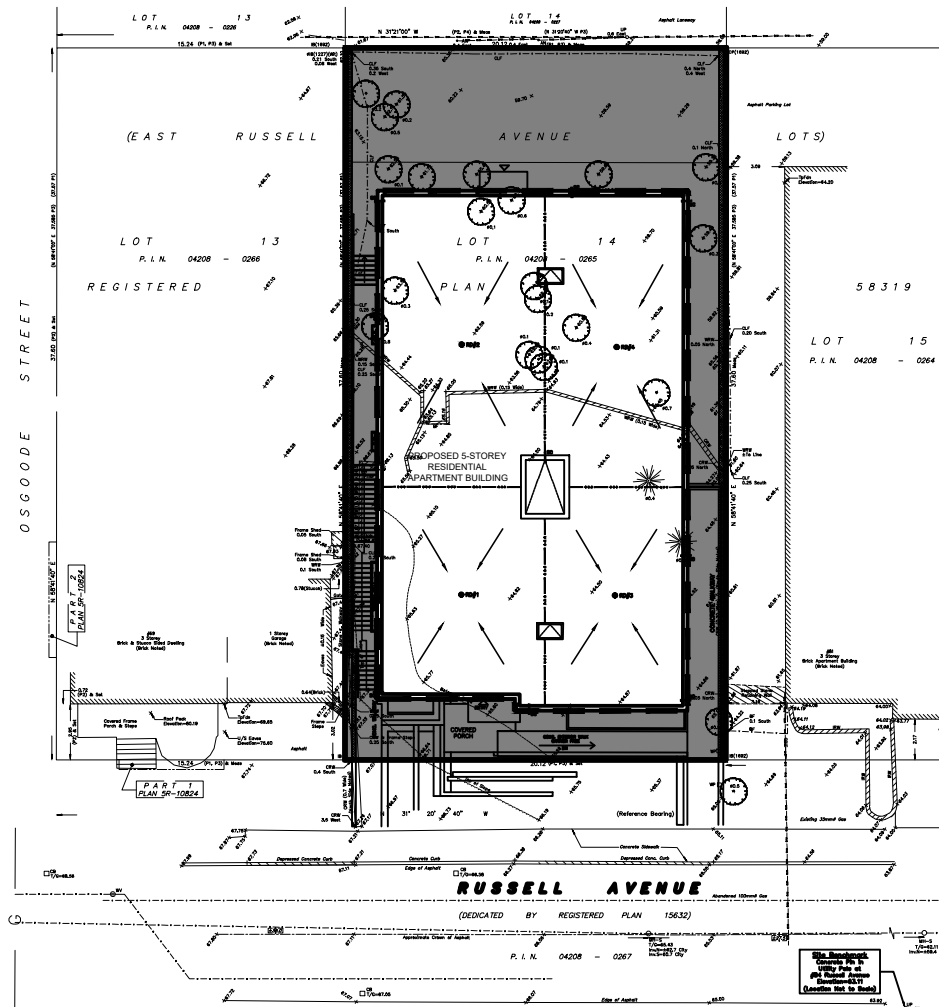
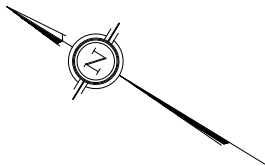
255

256

257

PROPOSED 71 RUSSELL AVENUE SITE DEVELOPMENT DRAINAGE AREA PLAN

N.T.S.



LEGEND

LIMIT OF CONTROLLED STORM DRAINAGE AREA = 445.67 SQ. M

UNCONTROLLED STORM DRAINAGE AREA = 310.98 SQ. M

TOTAL AREA = 756.65 SQ. M

POST-DEVELOPMENT SITE
AVERAGE "C" = 0.75



T.L. MAK ENGINEERING CONSULTANTS LTD.
CONSULTING ENGINEERS

PROJECT No. 825-96	DATE DECEMBER 2025	DRAWING No. FIGURE 1
------------------------------	------------------------------	--------------------------------

PROPOSED 6-STOREY RESIDENTIAL APARTMENT BUILDING

LOT DEVELOPMENT SITE

71 RUSSELL AVENUE

LOT 14

EAST SIDE OF RUSSELL AVENUE

R-PLAN 58319

CITY OF OTTAWA

APPENDIX B

SITE PRE-DEVELOPMENT CONDITION

GOOGLE IMAGE 2019 & 2024, AERIAL PHOTOGRAPHY 2022 (GEOOTTAWA),

TOPOGRAPHICAL SURVEY PLAN (DATED JANUARY 18, 2019)

[BY FARLEY SMITH AND DENIS SURVEYING LTD.]

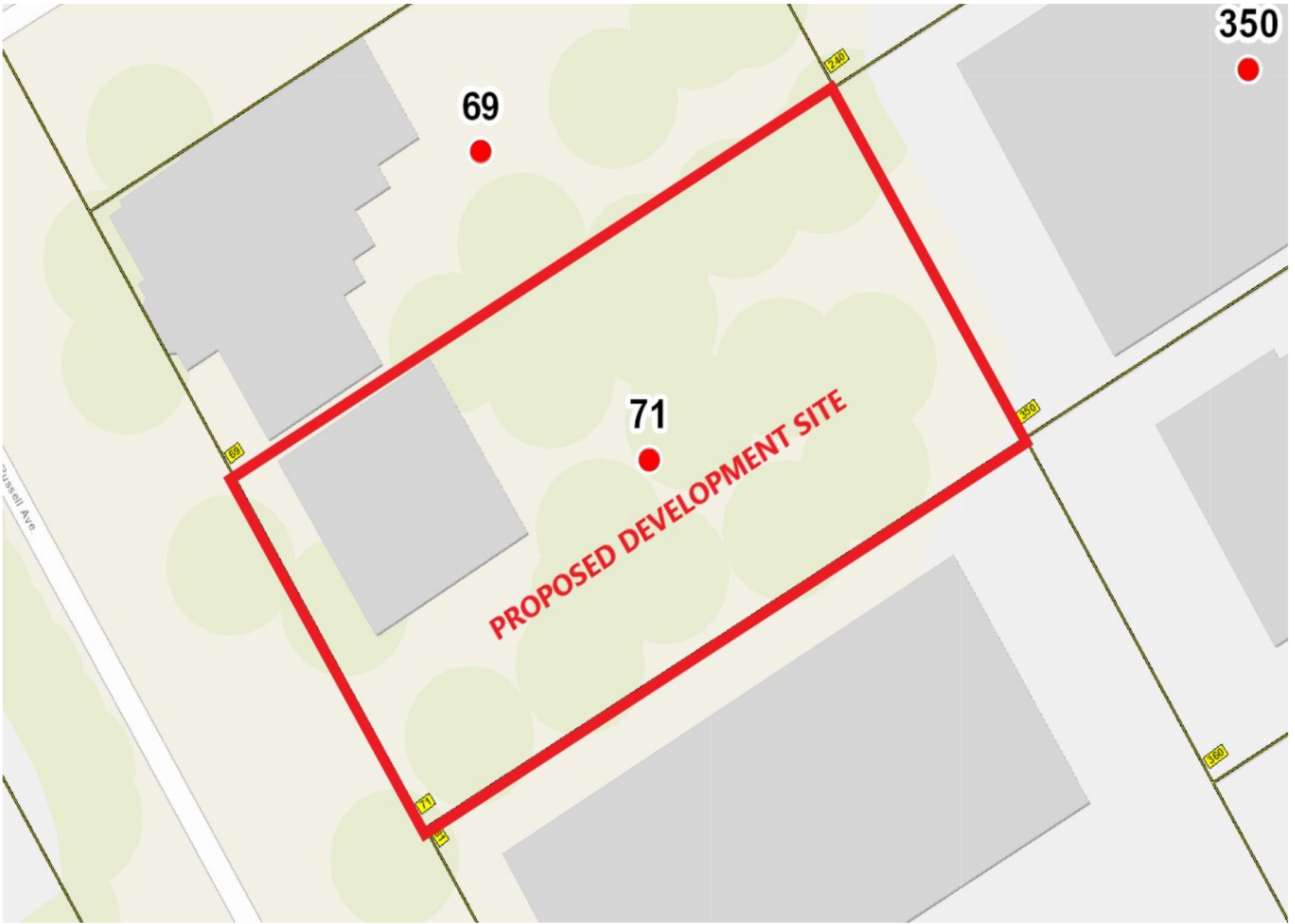
AND

TOPOGRAPHICAL SURVEY PLAN (DATED SEPTEMBER 11, 2025)

[BY FARLEY SMITH AND DENIS SURVEYING LTD.]







350

69

71

PROPOSED DEVELOPMENT SITE

69

7240

350

Russell Ave

71

71

360



PROPOSED 6-STOREY RESIDENTIAL APARTMENT BUILDING

LOT DEVELOPMENT SITE

71 RUSSELL AVENUE

LOT 14

EAST SIDE OF RUSSELL AVENUE

R-PLAN 58319

CITY OF OTTAWA

APPENDIX C

PROPOSED ROOF DRAIN

DETAILS



Adjustable Accutrol Weir

Tag: _____

Adjustable Flow Control for Roof Drains

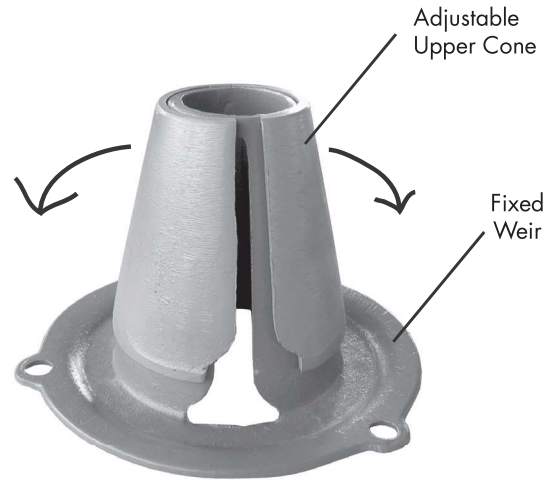
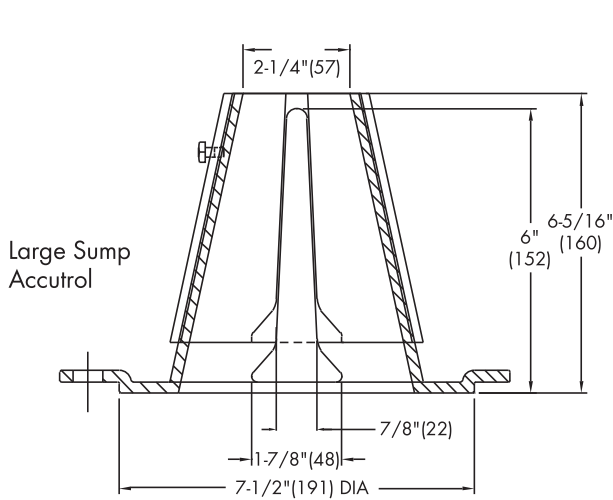
ADJUSTABLE ACCUTROL (for Large Sump Roof Drains only)

For more flexibility in controlling flow with heads deeper than 2", Watts Drainage offers the Adjustable Accutrol. The Adjustable Accutrol Weir is designed with a single parabolic opening that can be covered to restrict flow above 2" of head to less than 5 gpm per inch, up to 6" of head. To adjust the flow rate for depths over 2" of head, set the slot in the adjustable upper cone according to the flow rate required. Refer to Table 1 below.
 Note: Flow rates are directly proportional to the amount of weir opening that is exposed.

EXAMPLE:

For example, if the adjustable upper cone is set to cover 1/2 of the weir opening, flow rates above 2" of head will be restricted to 2-1/2 gpm per inch of head.

Therefore, at 3" of head, the flow rate through the Accutrol Weir that has 1/2 the slot exposed will be:
 [5 gpm (per inch of head) x 2 inches of head] + 2-1/2 gpm (for the third inch of head) = 12-1/2 gpm.



1/2 Weir Opening Exposed Shown Above

TABLE 1. Adjustable Accutrol Flow Rate Settings

Weir Opening Exposed	1"	2"	3"	4"	5"	6"
	Flow Rate (gallons per minute)					
Fully Exposed	5	10	15	20	25	30
3/4	5	10	13.75	17.5	21.25	25
1/2	5	10	12.5	15	17.5	20
1/4	5	10	11.25	12.5	13.75	15
Closed	5	5	5	5	5	5

Job Name _____
 Job Location _____
 Engineer _____

Contractor _____
 Contractor's P.O. No. _____
 Representative _____

Watts product specifications in U.S. customary units and metric are approximate and are provided for reference only. For precise measurements, please contact Watts Technical Service. Watts reserves the right to change or modify product design, construction, specifications, or materials without prior notice and without incurring any obligation to make such changes and modifications on Watts products previously or subsequently sold.

USA: Tel: (800) 338-2581 • Fax: (828) 248-3929 • Watts.com
 Canada: Tel: (905) 332-4090 • Fax: (905) 332-7068 • Watts.ca
 Latin America: Tel: (52) 81-1001-8600 • Fax: (52) 81-8000-7091 • Watts.com



PROPOSED 6-STOREY RESIDENTIAL APARTMENT BUILDING

LOT DEVELOPMENT SITE

71 RUSSELL AVENUE

LOT 14

EAST SIDE OF RUSSELL AVENUE

R-PLAN 58319

CITY OF OTTAWA

APPENDIX D

DETAILED CALCULATIONS

FOR FIVE (5)-YEAR AND 100-YEAR

AVAILABLE STORAGE VOLUME

AVAILABLE STORAGE VOLUME CALCULATIONS

Five (5)-Year Event

Roof Storage at Flat Roof Building

The flat Roof Area 1, Roof Area 2, Roof Area 3 and Roof Area 4 will be used for stormwater detention. Each roof area will be drained by a controlled drain designed for a release rate of 12.5 U.S. gal/min. or 0.79 L/s under a head of 100 mm. Refer to Dwg. No. 825-96 SWM-1 for roof drain details.

Roof Storage Area No. 1 (NODE No. 1)

Available flat roof area for storage = 92.64 m², C = 0.9 @ roof slope of 2.0% (min.) or 100 mm of water height above the roof drain. Therefore, the available roof area will store a volume shown below using the reservoir volume equation.

$$V = \frac{(0.10 \text{ m})[43.91 + 4 (11.39) + 0]}{6}$$

$$V = \frac{(0.10 \text{ m})(89.47)}{6}$$

$$V = 1.49 \text{ m}^3$$

The available Roof Area 1 storage volume of 1.49 m³ > required five (5)-Year storage volume of 1.13 m³ from Table 1.

Roof Storage Area No. 2 (NODE No. 2)

Available flat roof area for storage = 129.86 m², C = 0.9 @ roof slope of 1.7% (min.) or 100 mm of water height above the roof drain. Therefore, the available roof area will store a volume shown below using the reservoir volume equation.

$$V = \frac{(0.10 \text{ m})[61.23 + 4 (14.82) + 0]}{6}$$

$$V = \frac{(0.10 \text{ m})(120.51)}{6}$$

$$V = 2.01 \text{ m}^3$$

The available Roof Area 2 storage volume of 2.01 m³ = required five (5)-Year storage volume of 2.01 m³ from Table 2.

Roof Storage Area No. 3 (NODE No. 3)

Available flat roof area for storage = 81.20 m², C = 0.9 @ roof slope of 2.1% (min.) or 100 mm of water height above the roof drain. Therefore, the available roof area will store a volume shown below using the reservoir volume equation.

$$V = \frac{(0.10 \text{ m})[36.20 + 4 (8.45) + 0]}{6}$$

$$V = \frac{(0.10 \text{ m})(70.0)}{6}$$

$$V = 1.17 \text{ m}^3$$

The available Roof Area 3 storage volume of 1.17 m³ > required five (5)-Year storage volume of 0.93 m³ from Table 3.

Roof Storage Area No. 4 (NODE No. 4)

Available flat roof area for storage = 109.44 m², C = 0.9 @ roof slope of 1.7% (min.) or 100 mm of water height above the roof drain. Therefore, the available roof area will store a volume shown below using the reservoir volume equation.

$$V = \frac{(0.10 \text{ m})[49.82 + 4 (13.04) + 0]}{6}$$

$$V = \frac{(0.10 \text{ m})(101.98)}{6}$$

$$V = 1.70 \text{ m}^3$$

The available Roof Area 4 storage volume of 1.70 m³ > required five (5)-Year storage volume of 1.61 m³ from Table 4.

Therefore, the ponding depth at the proposed Roof Drain No. 1, Roof Drain No. 2, Roof Drain No. 3 and Roof Drain No. 4 location is approximately 0.10 m (100 mm) and the five (5)-Year level is estimated not to reach the roof perimeter of the building.

Hence, Roof Area 1, Roof Area 2, Roof Area 3 and Roof Area 4 of the proposed residential building flat rooftop storage are adequate to store the minimum required five (5)-Year storm event volume of 5.68 m³ given it can store up to 6.37 m³.

AVAILABLE STORAGE VOLUME CALCULATIONS

100-Year Event

Roof Storage at Flat Roof Building

The flat Roof Area 1, Roof Area 2, Roof Area 3 and Roof Area 4 will be used for stormwater detention. Each roof area will be drained by a controlled drain designed for a release rate of 15.0 U.S. gal/min. or 0.95 L/s under a head of 150 mm. Refer to Dwg. No. 825-96 SWM-1 for roof drain details.

Roof Storage Area No. 1 (NODE No. 1)

Available flat roof area for storage = 92.64 m², C = 0.9 @ roof slope of 2.0% (min.) or 150 mm of water height above the roof drain. Therefore, the available roof area will store a volume shown below using the reservoir volume equation.

$$V = \frac{(0.15 \text{ m})[92.64 + 4 (22.38) + 0]}{6}$$

$$V = \frac{(0.15 \text{ m})(182.16)}{6}$$

$$V = 4.55 \text{ m}^3$$

The available Roof Area 1 storage volume of 4.55 m³ > required 100-Year storage volume of 2.84 m³ from Table 5.

Roof Storage Area No. 2 (NODE No. 2)

Available flat roof area for storage = 129.86 m², C = 0.9 @ roof slope of 1.7% (min.) or 150 mm of water height above the roof drain. Therefore, the available roof area will store a volume shown below using the reservoir volume equation.

$$V = \frac{(0.15 \text{ m})[129.86 + 4 (33.43) + 0]}{6}$$

$$V = \frac{(0.15 \text{ m})(263.58)}{6}$$

$$V = 6.59 \text{ m}^3$$

The available Roof Area 2 storage volume of 6.59 m³ > required 100-Year storage volume of 4.75 m³ from Table 6.

Roof Storage Area No. 3 (NODE No. 3)

Available flat roof area for storage = 81.20 m², C = 0.9 @ roof slope of 2.1% (min.) or 150 mm of water height above the roof drain. Therefore, the available roof area will store a volume shown below using the reservoir volume equation.

$$V = \frac{(0.15 \text{ m})[81.20 + 4 (21.22) + 0]}{6}$$

$$V = \frac{(0.15 \text{ m})(166.08)}{6}$$

$$V = 4.15 \text{ m}^3$$

The available Roof Area 3 storage volume of 4.15 m³ > required 100-Year storage volume of 2.36 m³ from Table 7.

Roof Storage Area No. 4 (NODE No. 4)

Available flat roof area for storage = 109.44 m², C = 0.9 @ roof slope of 1.7% (min.) or 150 mm of water height above the roof drain. Therefore, the available roof area will store a volume shown below using the reservoir volume equation.

$$V = \frac{(0.15 \text{ m})[109.44 + 4 (25.70) + 0]}{6}$$

$$V = \frac{(0.15 \text{ m})(212.24)}{6}$$

$$V = 5.31 \text{ m}^3$$

The available Roof Area 4 storage volume of 5.31 m³ > required 100-Year storage volume of 3.87 m³ from Table 8.

Hence, Roof Area 1, Roof Area 2, Roof Area 3 and Roof Area 4 of the proposed residential building flat rooftop storage is adequate to store the minimum required 100-Year storm event volume of 13.82 m³ given it can store up to 20.6 m³.

Therefore, the ponding depth at the Roof Drain 1, Roof Drain 2, Roof Drain 3 and Roof Drain 4 location is approximately 0.15 m (150 mm), and at the perimeter of the flat roof area is 0 mm above the roof perimeter surface. Accordingly, it is recommended that eight (8) building perimeter roof scuppers as shown on Dwg. No. 825-96 G-1 and Dwg. No. 825-96 SWM-1 and the architect's roof plan be installed at the perimeter height of the rooftop for emergency overflow purposes in case of blockage from debris build up at the roof drain.