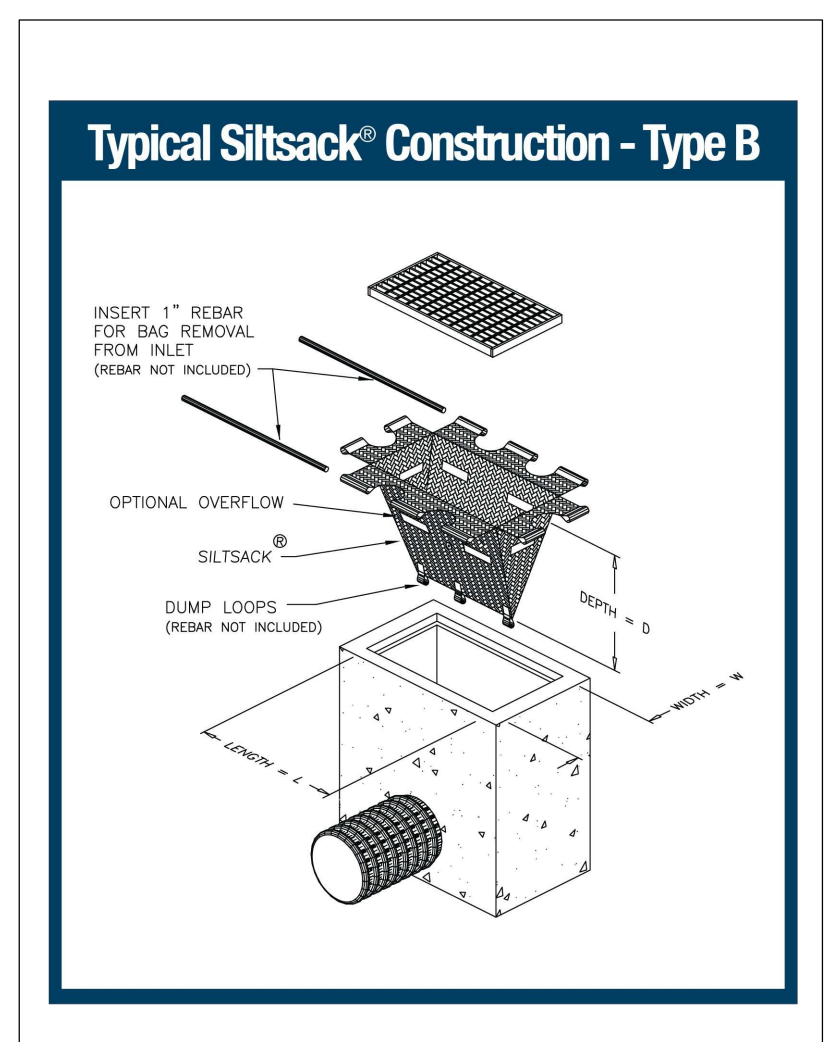




**NORTH**

**KEY PLAN**  
N.T.S.

- GRAVEL SHOULDER & DRIVEWAY REMOVAL
- CLEARING, GRUBBING & VEGETATION REMOVAL
- MUD MATS (50mm - 100mm GRANULAR B. TYPE II)
- REMOVAL OF CONCRETE AND ASPHALT SIDEWALKS AND CURBS, INCLUDING PAVERS (OF ALL TYPES)
- X** REMOVALS
- LIGHT DUTY SILT FENCE PER OPSD 219.110
- TERRAFIX SILTSACKS INSTALLED AT CATCH BASIN
- EXISTING CONTOUR AND ELEVATION
- STRAW BALE FLOW CHECK PER OPSD 219.180



**NOTE:**  
THE POSITION OF ALL POLE LINES, CONDUITS, WATERMANS, SEWERS AND OTHER UNDERGROUND AND OVERGROUND UTILITIES AND STRUCTURES IS NOT NECESSARILY SHOWN ON THE CONTRACT DRAWINGS, AND WHERE SHOWN, THE ACCURACY OF THE POSITION OF SUCH UTILITIES AND STRUCTURES IS NOT GUARANTEED. BEFORE STARTING WORK, DETERMINE THE EXACT LOCATION OF ALL SUCH UTILITIES AND STRUCTURES AND ASSUME ALL LIABILITY FOR DAMAGE TO THEM.

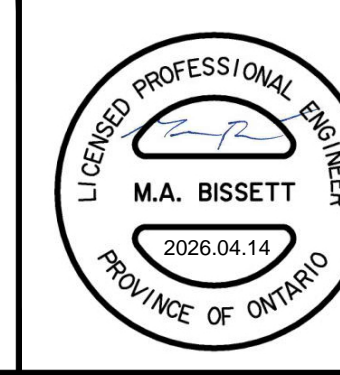
No.	REVISION	DATE	BY
2	ADDRESS CITY COMMENTS	APR 14/28	MAB
1	SITE PLAN APPLICATION	NOV 5/25	MAB

SCALE

1:300

**FOR REVIEW ONLY**

DESIGN	LRW
CHECKED	MAB
DRAWN	LPA
CHECKED	MAB
APPROVED	MAB



**NOVATECH**  
Engineers, Planners & Landscape Architects  
Suite 200, 240 Michael Cowpland Drive  
Ottawa, Ontario, Canada K2M 1P6  
Telephone: (613) 254-9643  
Facsimile: (613) 254-5867  
Website: www.novatech-eng.com

CITY OF OTTAWA  
3400 WOODROFFE AVENUE

**SITE REMOVALS, EROSION AND SEDIMENT CONTROL PLAN**

PROJECT NO.	124147
REV	REV #2
DRAWING NO.	124147-ESC

C:\Users\124147\OneDrive\Documents\124147-ESC-Plan\PLANS\124147-ESC-Plan.apr.15.2028-3.29pm\_bentz

D07-12-25-0158 & D02-02-25-0090

PLAN #19422