

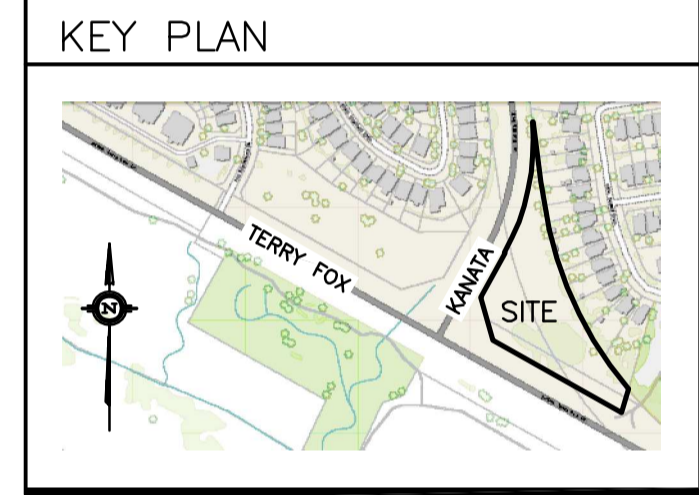
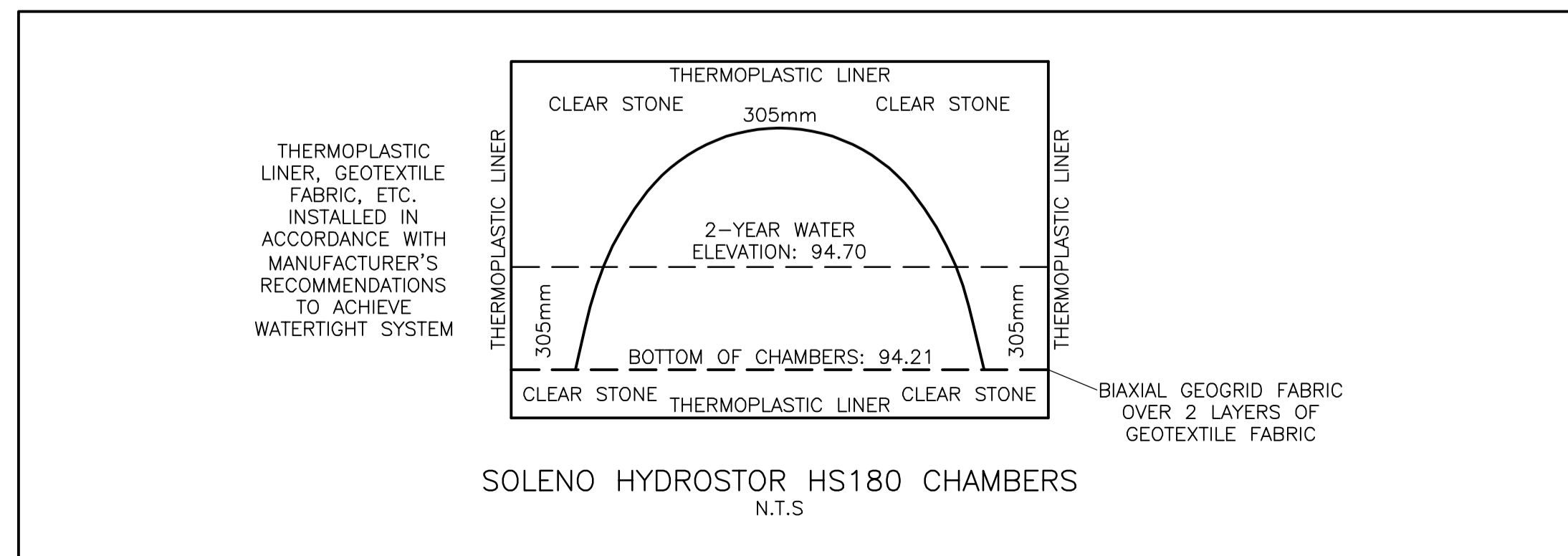
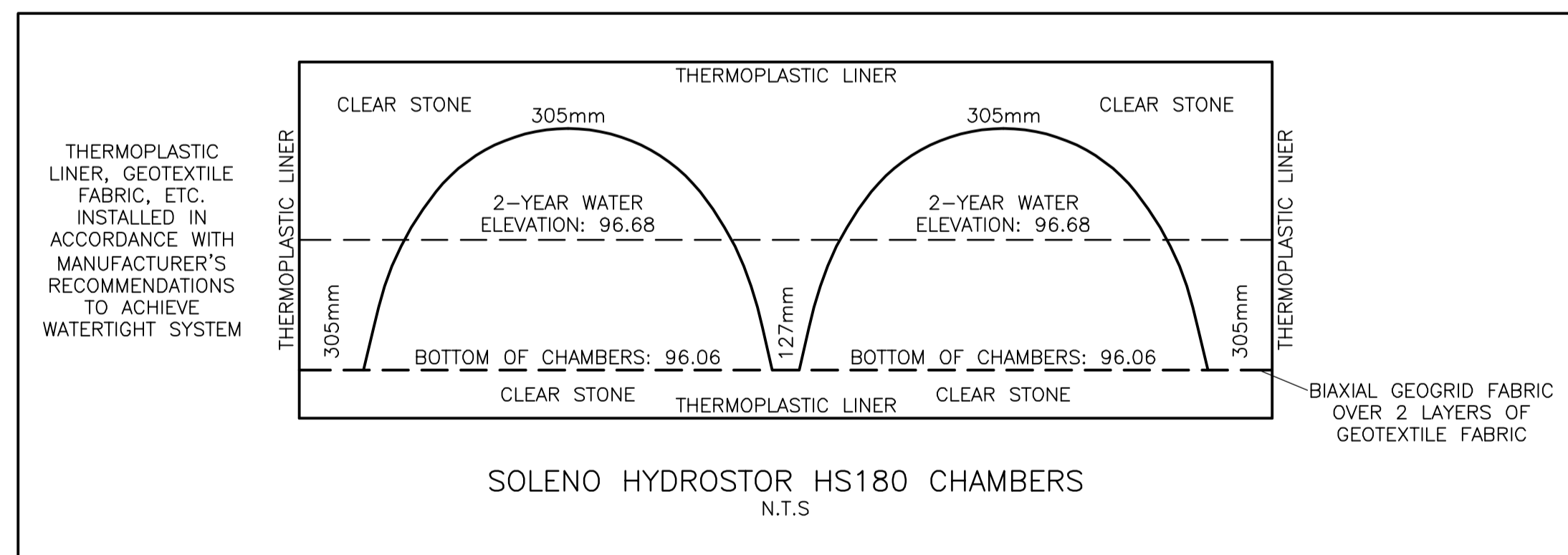
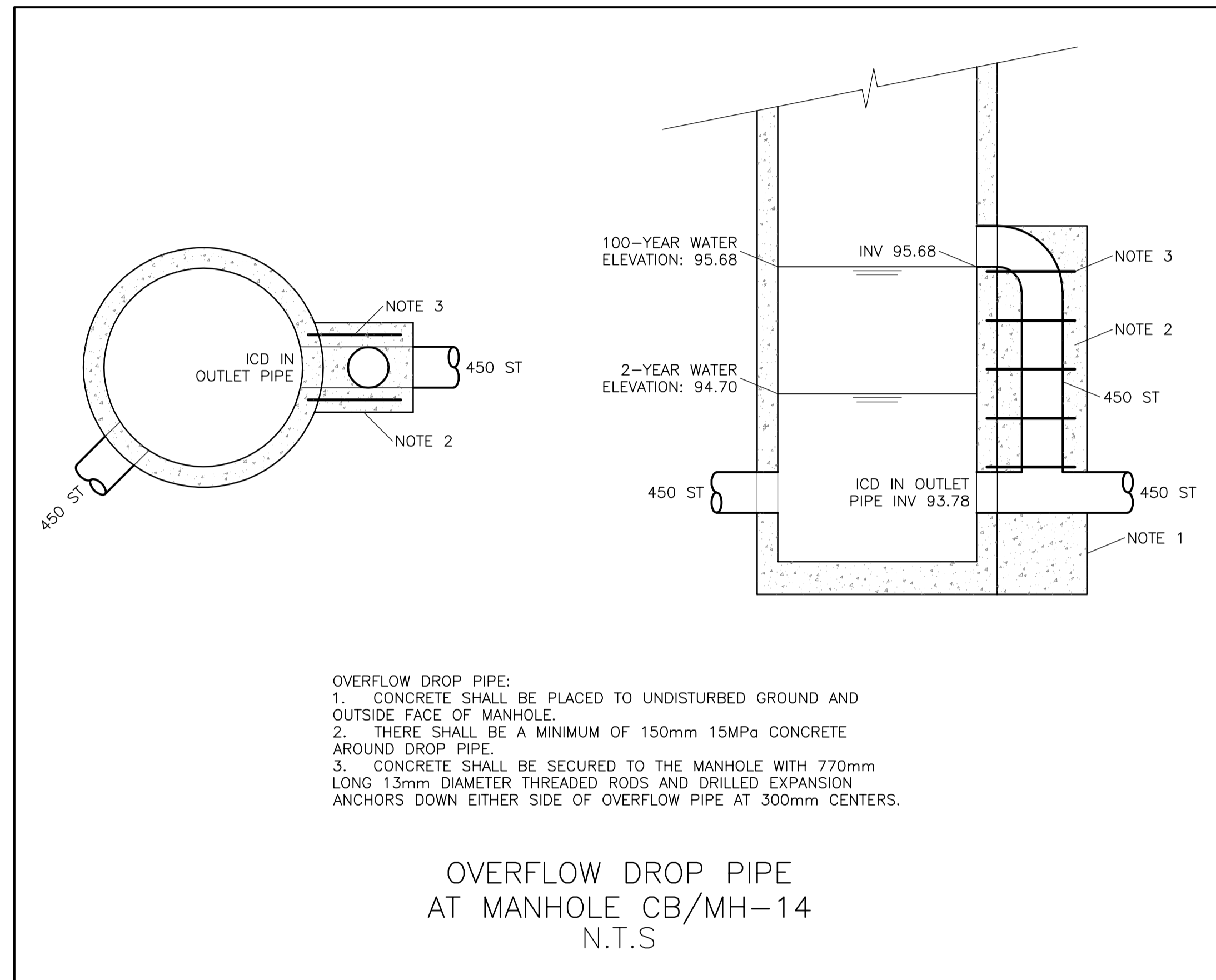
A	INV 95.05	F	600 ST INV ±94.62 200 SAN TOP 93.99
B	375 ST INV 94.28 200 SAN TOP 94.13	G	67.5' VERTICAL LONG RADIUS BEND INV 93.70
C	INV 94.09	H	200 SAN INV 89.16 375 SAN SPL 89.16
D	200 SAN SPL 93.98 200 SAN SPL 93.98	I	250 ST SPL 95.96 250 ST SPL 95.96
E	250 ST INV 94.38 200 SAN TOP 94.08	J	250 ST SPL 94.43 375 ST SPL 94.43

SANITARY SEWERS		
FROM	TO	SEWER DATA
A	MH-SA.1	5m - 200 PVC @ 2%
MH-SA.1	MH-SA.2	48.8m - 200 PVC @ 0.32%
C	D	10.5m - 200 PVC @ 2%
MH-SA.2	H	78.4m - 200 PVC @ 0.32%

SANITARY MANHOLES						
REF	TOP	SIZE	TYPE	INVERT AT INLET	INVERT AT OUTLET	NOTES
MH-SA.1	98.37	1200mm	PRECAST CONCRETE MANHOLE	94.95(SW)	94.89(SE)	IN ACCORDANCE WITH OPSD 701.010 & CITY OF OTTAWA STANDARDS - FRAME & COVER IN ACCORDANCE WITH CITY OF OTTAWA DRAWING No. S25 & S24
MH-SA.2	97.97	1200mm	PRECAST CONCRETE MANHOLE	94.73(NW) 94.00(NW)	93.94(SW)	IN ACCORDANCE WITH OPSD 701.010 & CITY OF OTTAWA STANDARDS - FRAME & COVER IN ACCORDANCE WITH CITY OF OTTAWA DRAWING No. S25 & S24 DROP STRUCTURE WYE IN ACCORDANCE WITH 1003.020

STORM SEWERS		
FROM	TO	SEWER DATA
CB-1	I	6.9m - 250 PVC @ 2.5%
CB/MH-2	MH-3	33.2m - 250 PVC @ 0.432%
MH-3	CB/MH-4	9.6m - 250 PVC @ 0.432%
CB/MH-4	MH-7	8.5m - 300 PVC @ 0.34%
CB/MH-5	CB/MH-6	22.2m - 300 PVC @ 0.34%
CB/MH-6	MH-7	23.1m - 300 PVC @ 0.34%
MH-7	MH-12	21m - 300 PVC @ 0.34%
CB-8	CB/MH-9	17.8m - 250 PVC @ 0.432%
CB/MH-9	MH-12	69.6m - 250 PVC @ 0.432%
CB-10	CB/MH-11	6.1m - 250 PVC @ 0.432%
CB/MH-11	J	15.2m - 250 PVC @ 1%
MH-12	MH-13	47.2m - 375 PVC @ 0.25%
CB/MH-14	MH-15	19.7m - 450 CONC @ 0.195%
MH-15	CB/MH-16	7.1m - 450 CONC @ 0.195%

CATCH-BASIN AND STORM MANHOLES						
REF	TOP	SIZE	TYPE	INVERT AT INLET	INVERT AT OUTLET	NOTES
CB-1	98.27	600mm x 600mm	PRECAST CONCRETE CATCH-BASIN	-	96.02	IN ACCORDANCE WITH OPSD 705.010 & CITY OF OTTAWA STANDARDS - FRAME & COVER IN ACCORDANCE WITH CITY OF OTTAWA DRAWING No. S19
CB/MH-2	98.17	1200mm	PRECAST CONCRETE CATCH-BASIN/MANHOLE	-	95.92	IN ACCORDANCE WITH OPSD 701.010 & CITY OF OTTAWA STANDARDS - FRAME & COVER IN ACCORDANCE WITH CITY OF OTTAWA DRAWING No. S25 & S28.1
MH-3	98.32	1200mm	PRECAST CONCRETE MANHOLE	95.77(NW)	95.77(NE)	IN ACCORDANCE WITH OPSD 701.010 & CITY OF OTTAWA STANDARDS - FRAME & COVER IN ACCORDANCE WITH CITY OF OTTAWA DRAWING No. S25 & S24.1
CB/MH-4	98.17	1200mm	PRECAST CONCRETE CATCH-BASIN/MANHOLE	95.72(W)	95.72(NE)	IN ACCORDANCE WITH OPSD 701.010 & CITY OF OTTAWA STANDARDS - FRAME & COVER IN ACCORDANCE WITH CITY OF OTTAWA DRAWING No. S25 & S28.1
CB/MH-5	98.22	1200mm	PRECAST CONCRETE CATCH-BASIN/MANHOLE	-	95.92	IN ACCORDANCE WITH OPSD 701.010 & CITY OF OTTAWA STANDARDS - FRAME & COVER IN ACCORDANCE WITH CITY OF OTTAWA DRAWING No. S25 & S28.1
CB/MH-6	98.17	1200mm	PRECAST CONCRETE CATCH-BASIN/MANHOLE	95.84(NW)	95.84(SE)	IN ACCORDANCE WITH OPSD 701.010 & CITY OF OTTAWA STANDARDS - FRAME & COVER IN ACCORDANCE WITH CITY OF OTTAWA DRAWING No. S25 & S28.1
MH-7	98.29	1200mm	PRECAST CONCRETE MANHOLE	96.06(NE) 95.76(NW) 95.69(SW)	95.69(SE)	IN ACCORDANCE WITH OPSD 701.010 & CITY OF OTTAWA STANDARDS - FRAME & COVER IN ACCORDANCE WITH CITY OF OTTAWA DRAWING No. S25 & S24.1 ICD IN OUTLET PIPE
MH-7A	98.35	1200mm	PRECAST CONCRETE MANHOLE	96.06(NW)	96.06(SW)	IN ACCORDANCE WITH OPSD 701.010 & CITY OF OTTAWA STANDARDS - FRAME & COVER IN ACCORDANCE WITH CITY OF OTTAWA DRAWING No. S25 & S24.1
MH-7B	98.32	1200mm	PRECAST CONCRETE MANHOLE	96.06(NW) 96.06(NE)	96.06(SW)	IN ACCORDANCE WITH OPSD 701.010 & CITY OF OTTAWA STANDARDS - FRAME & COVER IN ACCORDANCE WITH CITY OF OTTAWA DRAWING No. S25 & S24.1
CB-8	96.61	600mm x 600mm	PRECAST CONCRETE CATCH-BASIN	-	94.71	IN ACCORDANCE WITH OPSD 705.010 & CITY OF OTTAWA STANDARDS - FRAME & COVER IN ACCORDANCE WITH CITY OF OTTAWA DRAWING No. S19
CB/MH-9	97.14	1200mm	PRECAST CONCRETE CATCH-BASIN/MANHOLE	94.63(S)	94.63(NW)	IN ACCORDANCE WITH OPSD 701.010 & CITY OF OTTAWA STANDARDS - FRAME & COVER IN ACCORDANCE WITH CITY OF OTTAWA DRAWING No. S25 & S28.1
CB-10	96.77	600mm x 600mm	PRECAST CONCRETE CATCH-BASIN	-	94.52	IN ACCORDANCE WITH OPSD 705.010 & CITY OF OTTAWA STANDARDS - FRAME & COVER IN ACCORDANCE WITH CITY OF OTTAWA DRAWING No. S19
CB/MH-11	97.42	1200mm	PRECAST CONCRETE CATCH-BASIN/MANHOLE	94.49(S)	94.49(NW)	IN ACCORDANCE WITH OPSD 701.010 & CITY OF OTTAWA STANDARDS - FRAME & COVER IN ACCORDANCE WITH CITY OF OTTAWA DRAWING No. S28
MH-12	98.15	1200mm	PRECAST CONCRETE MANHOLE	95.61(NW) 94.33(SE)	94.33(SW)	IN ACCORDANCE WITH OPSD 701.010 & CITY OF OTTAWA STANDARDS - FRAME & COVER IN ACCORDANCE WITH CITY OF OTTAWA DRAWING No. S25 & S24.1
MH-13	96.67	1200mm	PRECAST CONCRETE MANHOLE	94.21(NE)	94.21(NW)	IN ACCORDANCE WITH OPSD 701.010 & CITY OF OTTAWA STANDARDS - FRAME & COVER IN ACCORDANCE WITH CITY OF OTTAWA DRAWING No. S25 & S24.1
CB/MH-14	96.23	1200mm	PRECAST CONCRETE CATCH-BASIN/MANHOLE	94.21(SE)	94.70(N) 93.78(N)	IN ACCORDANCE WITH OPSD 701.010 & CITY OF OTTAWA STANDARDS - FRAME & COVER IN ACCORDANCE WITH CITY OF OTTAWA DRAWING No. S25 & S28.1 ICD IN OUTLET PIPE
MH-15	96.33	CDS PMSU2025-5	PRECAST CONCRETE MANHOLE	93.74(S)	93.68(W)	-
CB/MH-16	96.04	1200mm	PRECAST CONCRETE CATCH-BASIN/MANHOLE	93.66(E)	±93.48(NW)	IN ACCORDANCE WITH OPSD 701.010 & CITY OF OTTAWA STANDARDS - FRAME & COVER IN ACCORDANCE WITH CITY OF OTTAWA DRAWING No. S25 & S28.1



No.	DATE	REVISION
3	JAN 26-26	RE-ISSUED FOR APPROVAL
2	OCT 28-25	RE-ISSUED FOR APPROVAL
1	JUL 11-25	ISSUED FOR APPROVAL

D. B. GRAY ENGINEERING INC.
 Stormwater Management - Grading & Drainage - Storm & Sanitary Sewers - Watermain
 700 Long Point Circle 613-425-8044
 Ottawa, Ontario d.gray@dbgrayengineering.com

Project
**PROPOSED 6-STORY APARTMENT BUILDINGS
 475 TERRY FOX DRIVE**
 OTTAWA, ONTARIO

Drawing Title
DETAILS

Engineer's Seal

 D.B. GRAY
 17016502
 JAN 26-26
 PROVINCE OF ONTARIO
 NOT VALID UNLESS SIGNED & DATED

Drawn D.B.G.
 H. Scale 1:200
 V. Scale
 Date JUL 11-25
 Job No. 24103

Drawing No.
C-13
 of 19