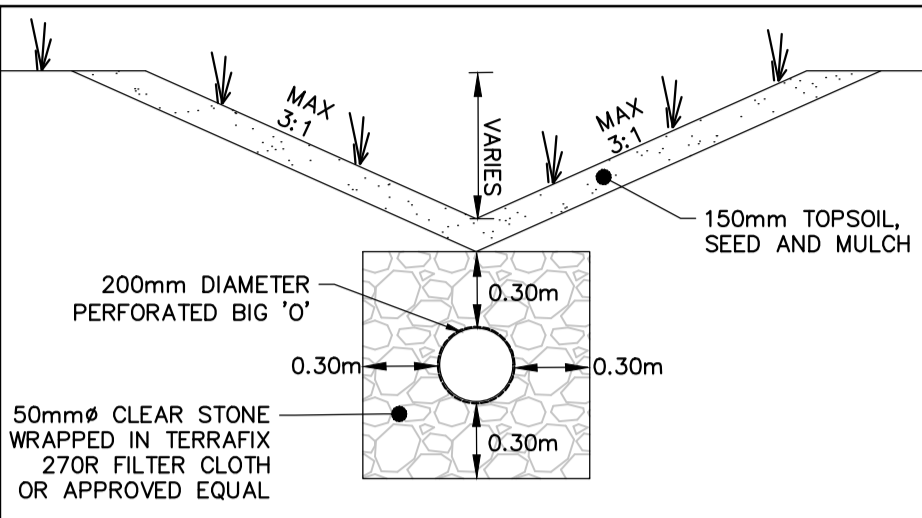


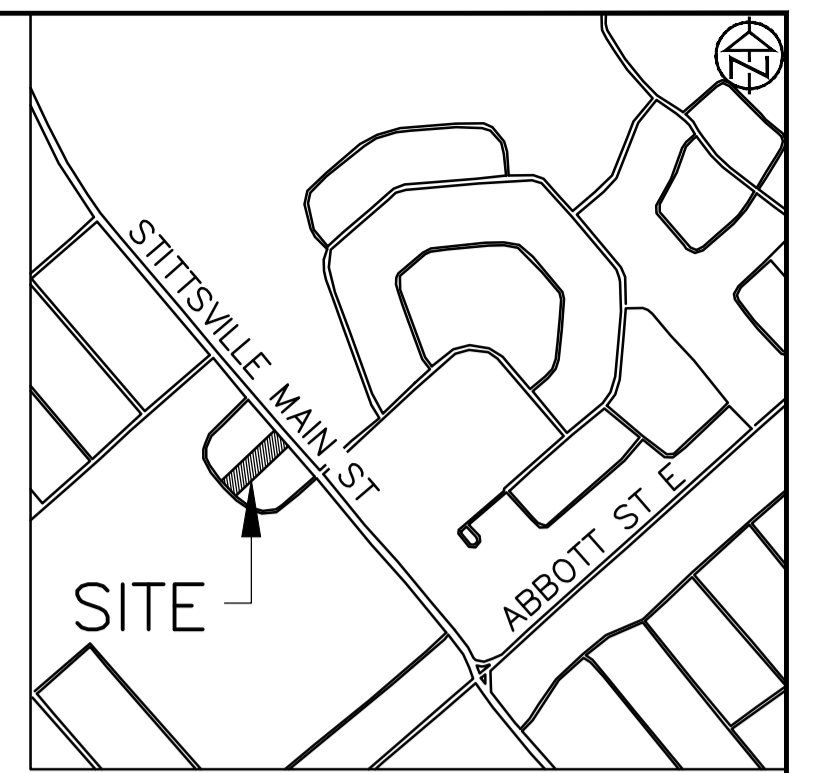
GRASSSED SWALE DETAIL
NTS



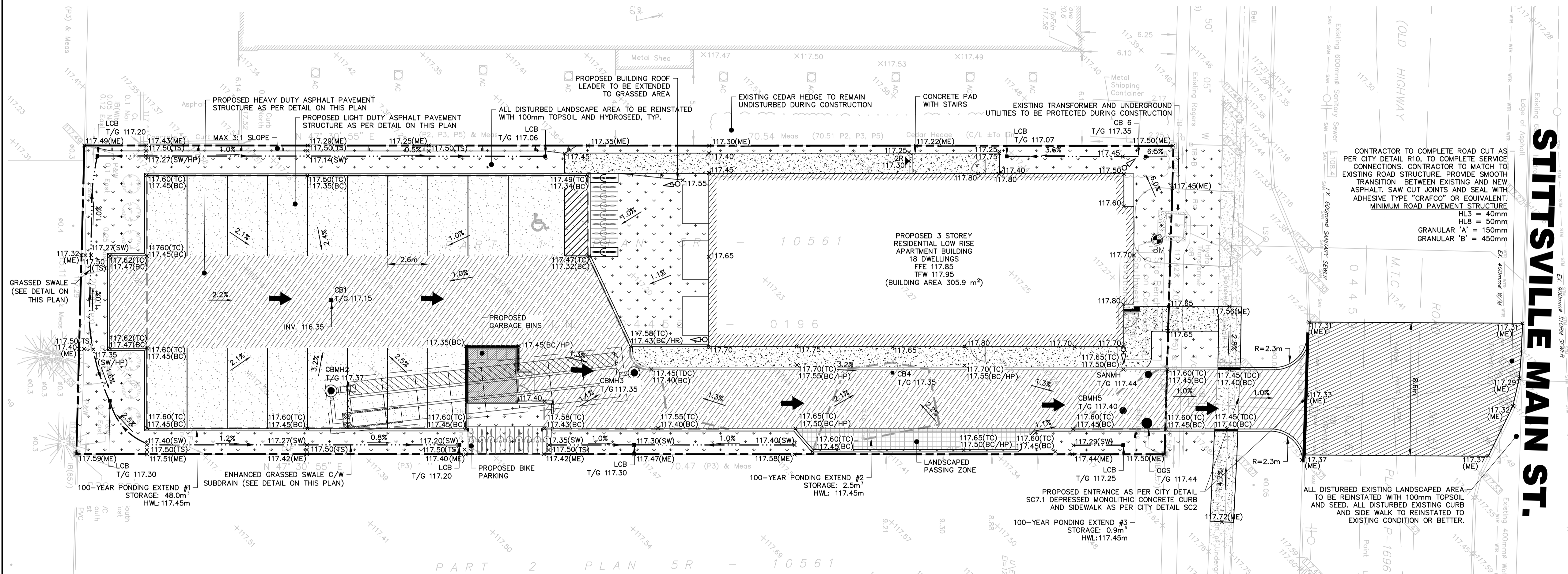
ENHANCED GRASSSED SWALE DETAIL
NTS

PAVEMENT STRUCTURE (PGAC 58-34)			
Course	Compaction Requirement	Light Duty	Heavy Duty
Surface Course Asphalt	OPSS 1150	50mm HL3	40mm HL3
Binder Course Asphalt	OPSS 1150		50mm HL8
Granular Base	100% SPMD	150mm OPSS 1010 Granular A	150mm OPSS 1010 Granular A
Granular Subbase	100% SPMD	350mm OPSS 1010 Granular B	450mm OPSS 1010 Granular B

PAVEMENT STRUCTURE AS PER GEOTECHNICAL INVESTIGATION PROVIDED BY LRL ENGINEERING LTD. DATED SEPTEMBER 2022.



KEY PLAN - N.T.S.



CONTRACTOR TO COMPLETE ROAD CUT AS PER CITY DETAIL R10, TO COMPLETE SERVICE CONNECTIONS. CONTRACTOR TO MATCH TO EXISTING ROAD STRUCTURE. PROVIDE SMOOTH TRANSITION BETWEEN EXISTING AND NEW ASPHALT. SAW CUT JOINTS AND SEAL WITH ADHESIVE TYPE "CRAFCO" OR EQUIVALENT. MINIMUM ROAD PAVEMENT STRUCTURE
 HL3 = 40mm
 HL8 = 50mm
 GRANULAR 'A' = 150mm
 GRANULAR 'B' = 450mm

STITTSVILLE MAIN ST.

LEGEND

- PROPOSED CURB
- PROPOSED DEPRESSED CURB
- EXISTING CATCHBASIN
- EXISTING MANHOLE
- ← PROPOSED OVERLAND FLOW ROUTE
- ▨ PROPOSED HEAVY DUTY ASPHALT
- ▩ PROPOSED LIGHT DUTY ASPHALT
- × 262.25 PROPOSED ELEVATION
- × 262.25 (HP) PROPOSED HIGH POINT ELEVATION
- × 262.25 (ME) PROPOSED ELEVATION MATCH EXISTING
- × 262.25 (TC) PROPOSED TOP OF CURB
- × 262.25 (BC) PROPOSED BOTTOM OF CURB
- × 262.25 (TW) PROPOSED TOP OF RETAINING WALL
- × 262.25 (BW) PROPOSED BOTTOM OF RETAINING WALL
- × 262.25 (SW) PROPOSED BOTTOM OF SWALE
- × 262.25 (TS) PROPOSED TOP OF SWALE
- × 262.25 (TDC) PROPOSED TOP OF DEPRESSED CURB
- ◊ PROPOSED ROOF LEADER
- CB PROPOSED CATCHBASIN
- LCB PROPOSED LAWN CATCHBASIN
- CBMH PROPOSED CATCHBASIN MANHOLE
- STMMH PROPOSED STORM MANHOLE
- SANMH PROPOSED SANITARY MANHOLE
- OGS PROPOSED OIL GRIT SEPARATOR
- ▽ PROPOSED DOOR ENTRANCE/EXIT
- - - APPROXIMATE PROPERTY BOUNDARY
- - - 100 YEAR HIGH WATER LEVEL

DISCLAIMER AND COPYRIGHT
 CONTRACTOR MUST VERIFY ALL DIMENSIONS AND BE RESPONSIBLE FOR SAME. ANY DISCREPANCIES MUST BE REPORTED TO THE ENGINEER BEFORE COMMENCING WORK. DRAWINGS ARE NOT TO BE SCALED.
 TATHAM ENGINEERING LIMITED CLAIMS COPYRIGHT TO THIS DRAWING WHICH MAY NOT BE USED FOR ANY PURPOSE OTHER THAN THAT PROVIDED IN THE CONTRACT BETWEEN THE OWNER/CLIENT AND THE ENGINEER WITHOUT THE EXPRESS CONSENT OF TATHAM ENGINEERING LIMITED.

TOPOGRAPHIC SURVEY WAS COMPLETED BY FARLEY, SMITH & DENNIS SURVEYING LTD. ON JANUARY 11, 2022.
 ELEVATIONS ARE DERIVED FROM ONTARIO CONTROL MONUMENT 0011968U118, HAVING A PUBLISHED ELEVATION OF 126.180m
 TBM: CC ON THE SOUTHWEST CORNER OF THE HYDRO TRANSFORMER CONCRETE PAD. ELEV. 117.58

APPLICANT:
 ELITE PROPERTY DEVELOPMENTS INC.

No.	REVISION DESCRIPTION	DATE	ENGINEER STAMP
1.	ISSUED FOR SPA	JULY, 2024	
2.	RE-ISSUED FOR SPA	SEPT. 2024	
3.	RE-ISSUED FOR SPA	APR. 2025	

1412 STITTSVILLE MAIN STREET
 TOWNSHIP OF STITTSVILLE

SITE GRADING PLAN

TATHAM ENGINEERING

DESIGN: HY	FILE: 524659	DWG:
DRAWN: HY	DATE: SEPT 2024	SG-1
CHECK: GC	SCALE: 1:150	

Drawing Name: 524659-SG01.dwg, Plotted: Apr 01, 2025